



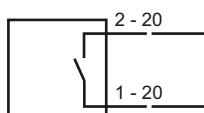
### Model Number

40FR1-3

### Features

- Magnetically actuated reed switch
- Hermetically sealed contacts
- AC/DC compatibility
- Matching permanent magnet

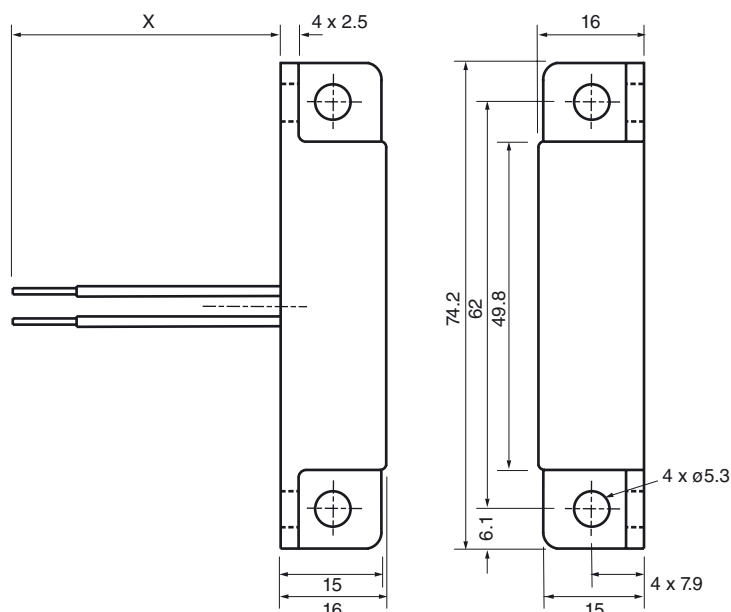
### Connection



### Accessories

**41FR2**  
Magnetic actuator

### Dimensions



### Technical Data

#### General specifications

Switching element function	Reed Contact Normally Open
Rated operating distance	$s_n$ 19.8 mm
Installation	not embeddable
Output polarity	AC/DC
Mechanical life	$3 \times 10^7$ operations

#### Nominal ratings

Operating voltage	$U_B$	100 V DC, 250 mA 115 V AC, 250 mA
Hysteresis	H	$\geq 2.54$ mm
Contact resistance		0.15 $\Omega$
Insulation resistance		$\geq 100$ M $\Omega$ at 200 V
Dielectric strength		200 V AC, 60 Hz
Release point		$\leq \leq 43$ mm

#### Electrical specifications

Electrical rating	AC supply: 10 VA, 132 V AC, 750 mA DC supply: 10 W, 100 V DC, 300 mA
-------------------	---

#### Ambient conditions

Ambient temperature	-40 ... 125 °C (-40 ... 257 °F)
---------------------	---------------------------------

#### Mechanical specifications

Connection type	cable PVDF, 914 mm according to Mil-W-81044/9
Core cross-section	0.5 mm <sup>2</sup>
Housing material	Polycarbonate
Sensing face	Polycarbonate
Protection degree	IP68