

Miniature General Purpose Relay HY



General purpose 5,7 amp Plug in Power Relay,
available in 2PCO, 3PCO and 4PCO

- Arc barriers prevent flashover between contacts
- Manual operator for circuit testing with latch facility
colour coded for AC/DC identification
- Mechanical flag indicator showing armature operation
- LED indicators showing coil energisation
- UL and cUL approvals



Options and ordering codes

HY	4	1	PN	230VAC
General purpose power relay				For coil voltage see table
2 pole changeover	2		PN	Mechanical indicator/test latch LED
3 pole changeover	3		XN	Indicator only
4 pole changeover	4		PX	Test only
Plug in		1	XX	No indication or test
PCB		2		

Specification

Type	HY21 Resistive	HY31 Resistive	HY41 Resistive
Contact configuration	2PCO	3PCO	4PCO
Rated load @ 250VAC/24VDC	7A	7A	5A
Rated current	7A	7A	5A
Maximum switching voltage AC/DC	250	250	250
Maximum breaking capacity	1750VA	1750VA	1250VA
Operate time (typical value)	25ms	25ms	25ms
Release time (typical value)	25ms	25ms	25ms
Dielectric strength coil – contact	1500 VAC	1500VAC	1500 VAC
Ambient operating temperature	-55°C +70°C	-55°C +70°C	-55°C +70°C
Mechanical service life	20 million ops. minimum	20 million ops. minimum	20 million ops. minimum
Electrical service life at load	100,000 ops. minimum	100,000 ops. minimum	100,000 ops. minimum
Protection degree	IP40	IP40	IP40
Contact material	AgNi	AgNi	AgNi
Voltage range	80-110%	80-110%	80-110%
Power consumption	1.2 VA AC : 0.9 W DC	1.2 VA AC : 0.9 W DC	1.2 VA AC : 0.9 W DC
Weight	37g	37g	37g

Miniature General Purpose Relay HY



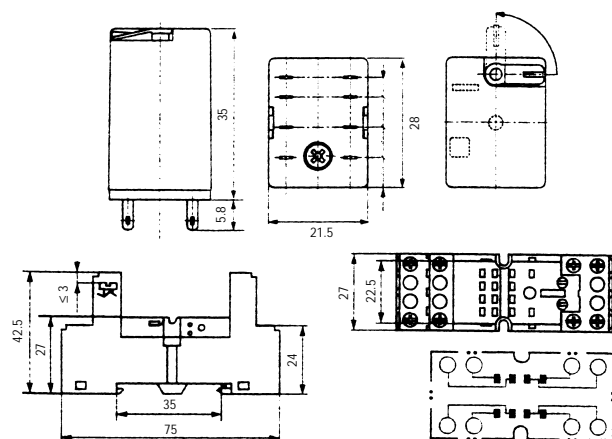
continued

Coil Data

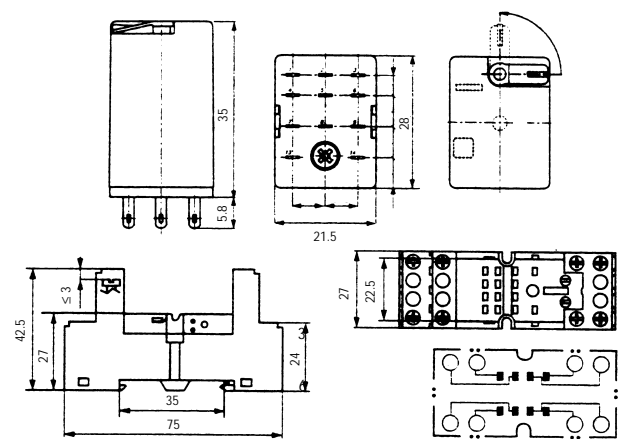
Rated Voltage AC 50/60Hz	Coil resistance $\pm 10\%$ at 20°C Ω
12VAC	46
24VAC	184
48VAC	735
110VAC	4550
230VAC	14400
12VDC	160
24VDC	650
48VDC	2600
110VDC	1100

Outline dimensions (mm)

HY21 plug-in version, screw terminals socket **SRN2-S**



HY31 plug-in version, screw terminals socket **SRN3-S**



HY41 plug-in version, screw terminals socket **SRN4-S**

