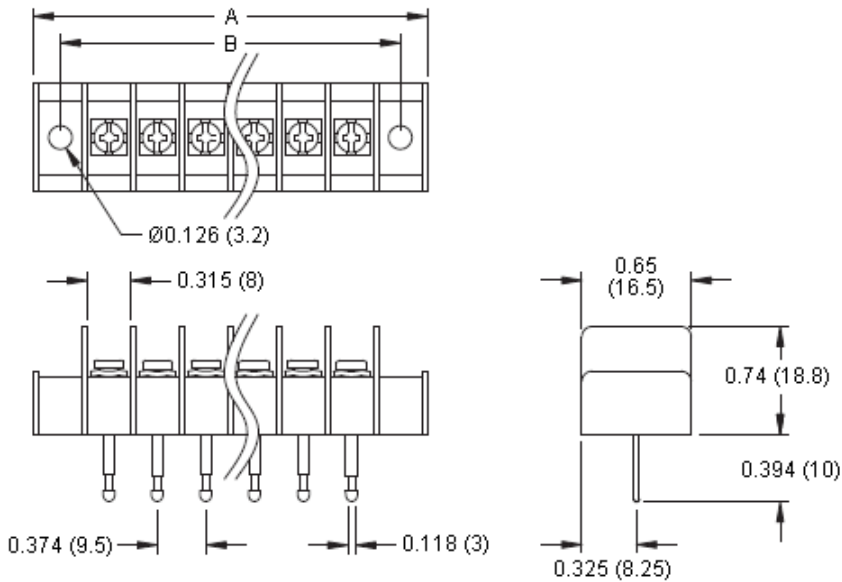
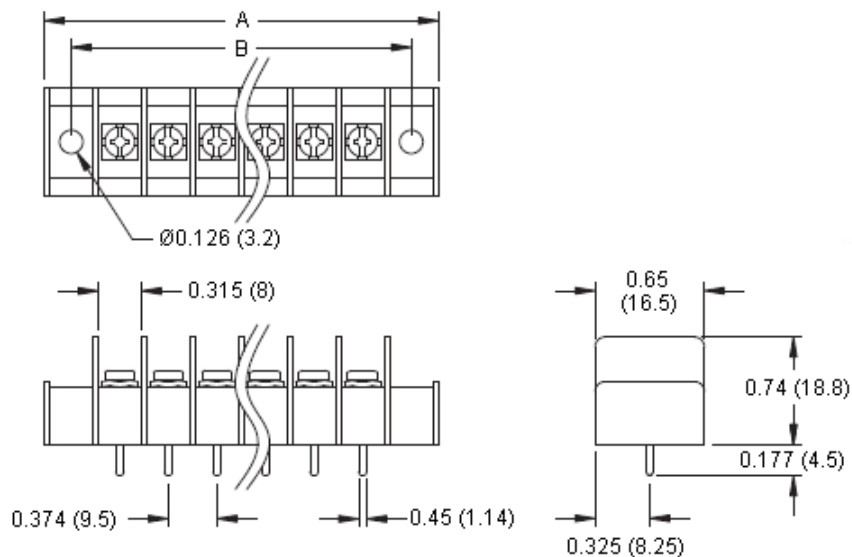


Terminal Blocks

Bulkhead & PC Board Mount



Dimensions : Inches (Millimetres)



Dimensions : Inches (Millimetres)

Terminal Blocks

Bulkhead & PC Board Mount

Specifications:

Material:

Insulator:
 TB Series : PBT, rated UL94V-0
 TD Series : Phenolic, glass reinforced, rated UL94V-0
 Insulator colour : Black
 Contacts : Brass, tin plated
 Screws : Steel, nickel plated
 Hardware : Brass, tin plated

Electrical:

Maximum operation voltage : 300V ac

 Current Rating:
 TBF Series : 15 amperes maximum
 TDA Series : 10 amperes maximum
 TDB Series : 20 amperes maximum
 TDC Series : 30 amperes maximum
 Maximum contact resistance : 20 MΩ
 Minimum insulation resistance : 500 MΩ
 Dielectric withstanding voltage : 2,000 V ac for 1 minute

Mechanical:

Wire Range:
 TBF Series : 22 - 14 AWG
 TDA / TDB / TDC Series : 18 - 12 AWG

Temperature Rating:

Operating temperature : -40°C to +105°C

Packaging:

Anti-ESD plastic bags

Part Number Table

Description	Part Number
Terminal Block	TBF-03-01-M
Terminal Block	TBF-05-01-M
Terminal Block	TBF-06-01-M
Terminal Block	TBF-07-01-M
Terminal Block	TBF-08-01-M
Terminal Block	TBF-10-01-M
Terminal Block	TBF-16-01-M
Terminal Block	TBF-02-05-M
Terminal Block	TBF-03-05-M

Terminal Blocks



Bulkhead & PC Board Mount

Part Number Table

Description	Part Number	Description	Part Number
Terminal Block	TBF-04-05-M	Terminal Block	TDB-14
Terminal Block	TBF-06-05-M	Terminal Block	TDB-16
Terminal Block	TBF-08-05-M	Terminal Block	TDB-18
Terminal Block	TBF-10-05-M	Terminal Block	TDB-20
Terminal Block	TBF-12-05-M	Terminal Block	TDC-02
Terminal Block	TDA-20	Terminal Block	TDC-03
Terminal Block	TDB-06	Terminal Block	TDC-04
Terminal Block	TDB-07	Terminal Block	TDC-05
Terminal Block	TDB-08	Terminal Block	TDC-06
Terminal Block	TDB-09	Terminal Block	TDC-08
Terminal Block	TDB-10	Terminal Block	TDC-12
Terminal Block	TDB-12	Terminal Block	TDC-16

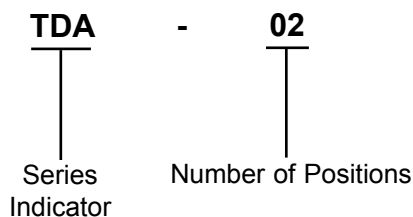
Part Number Explanation:

TB Series Terminal Blocks



- Series Indicator** : TBF = 0.374" Centreline Barrier Block
- Number of Positions** : 02 = 2, 03 = 3, 04 = 4, 05 = 5, 06 = 6, 07 = 7, 08 = 8, 10 = 10, 12 = 12 and 16 = 16 Positions
- Terminal Type** : 01 = Straight PCB Tail and 05 = Turrett Terminal
- Mounting Orientation** : M = Mount End

TD Series Dual Row Blocks



- Series Indicator** : TDA = 0.374" Centreline Dual Row, TDB = 0.433" Centreline Dual Row and TDC = 0.551" Centreline Dual Row
- Number of Positions** : 02 = 2, 03 = 3, 04 = 4, 05 = 5, 06 = 6, 07 = 7, 08 = 8, 09 = 9, 10 = 10, 12 = 12, 14 = 14, 16 = 16, 18 = 18 and 20 = 20 Positions

Important Notice : This data sheet and its contents (the "Information") belong to the members of the Premier Farnell group of companies (the "Group") or are licensed to it. No licence is granted for the use of it other than for information purposes in connection with the products to which it relates. No licence of any intellectual property rights is granted. The Information is subject to change without notice and replaces all data sheets previously supplied. The Information supplied is believed to be accurate but the Group assumes no responsibility for its accuracy or completeness, any error in or omission from it or for any use made of it. Users of this data sheet should check for themselves the Information and the suitability of the products for their purpose and not make any assumptions based on information included or omitted. Liability for loss or damage resulting from any reliance on the Information or use of it (including liability resulting from negligence or where the Group was aware of the possibility of such loss or damage arising) is excluded. This will not operate to limit or restrict the Group's liability for death or personal injury resulting from its negligence. Multicomp is the registered trademark of the Group. © Premier Farnell plc 2011.