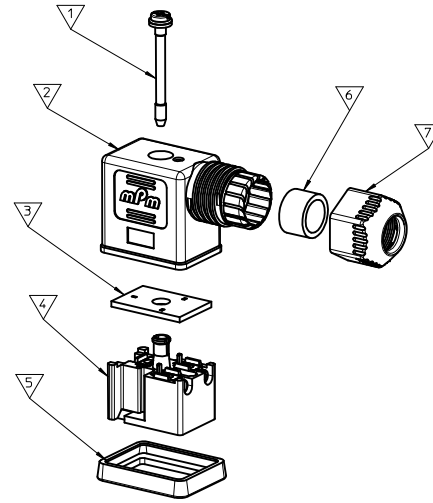
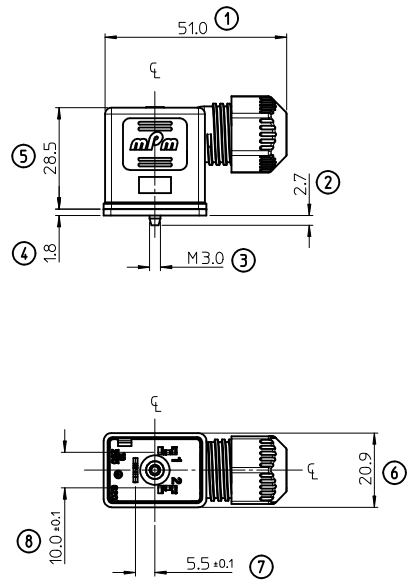
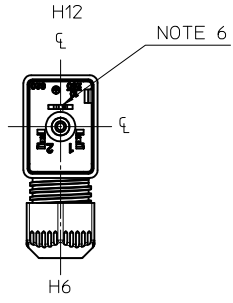


ITEM	DESCRIPTION
1	31mm M3 SCREW WITH GASKET
2	TYPE B COVER
3	PCB
4	TYPE B ISO INSERT
5	TYPE B GASKET
6	GROMMET
7	EXTERNAL NUT



S92200NC410R\*\*



SERIES \_\_\_\_\_  
 S92= EXTERNAL THREAD FORM B ISO  
 POLES \_\_\_\_\_  
 2= 2 POLE  
 THREAD \_\_\_\_\_  
 00 = EXTERNAL THREAD  
 MATERIAL AND HOUSING COLOR \_\_\_\_\_  
 G= PA6 GRAY, N= PA6 BLACK, W= PA6 BLACK V0,  
 B= WHITE, T= TRANSPARENT  
 CIRCUIT \_\_\_\_\_  
 SEE DETAILS IN CATALOGUE  
 VOLTAGE \_\_\_\_\_  
 SEE DETAILS IN CATALOGUE  
 GROUND POSITION \_\_\_\_\_  
 0= UNMOUNTED, 2= H12, 3=H3, 6 =H6 & 9= H9  
 SCREW AND GASKET \_\_\_\_\_  
 R= INTEGRATED NBR GASKET AND IP67 SCREW  
 S= INTEGRATED SILICON GASKET AND IP67 SCREW  
 NON STANDARD PACKAGING \_\_\_\_\_  
 CN= BULK PACK UN-MOUNTED  
 SN= BULK PACK MOUNTED  
 67= NEUTRAL PACKAGING

NOTES:

- FOR SPECIFIC PART NUMBERS PLEASE CONTACT SALES OR CONSULT THE INTELLIGENT PART NUMBERS IN THE TABLE ATTACHED
- PACKAGING SPECIFICATION: PLEASE SEE PK-121201-001
- PRODUCT SPECIFICATION: PLEASE SEE PS-121201-001
- CABLE SIZES 4 - 9 MM DIAMETER
- TIGHTENING TORQUES: SEE PS-121201-001
- GROUND POSITION SHOWN H12

LAST INSPECTION NUMBER 8

ADDED OPTIONS EC NO: WEU2011-0374 DRAWN:DCARTON 2011/01/25 CHKD: APPR:EFOLAN 2011/02/11	QUALITY SYMBOLS ▽=0 ▽=0	GENERAL TOLERANCES (UNLESS SPECIFIED)		DIMENSION STYLE MM ONLY		SCALE 1:1	DESIGN UNITS METRIC	THIRD ANGLE PROJECTION	
		4 PLACES ±--- ±---	mm INCH	DRAWN BY DCARTON	DATE 2010/07/21	TITLE EXTERNAL THREAD S92 SERIES 121209			
		3 PLACES ±--- ±---		CHECKED BY DMAHER	DATE 2010/07/21				
		2 PLACES ±0.1 ±---		APPROVED BY EFOLAN	DATE 2010/08/09	MOLEX INCORPORATED			
	1 PLACE ±0.2 ±---		ANGULAR ±---°	MATERIAL NO. SEE TABLES		DOCUMENT NO. SD-121209-001	SHEET NO. 1 OF 6		
DRAFT WHERE APPLICABLE MUST REMAIN WITHIN DIMENSIONS		THIS DRAWING CONTAINS INFORMATION THAT IS PROPRIETARY TO MOLEX INCORPORATED AND SHOULD NOT BE USED WITHOUT WRITTEN PERMISSION							

Part No	MPM Part No	DESCRIPTION	CIRCUIT	VOLTAGE	INDICATOR
1212090001	S92200TA010R	TYPE B ISO TRANSPARENT	A0	12v	LAMP/NEON
1212090002	S92200TA020R	TYPE B ISO TRANSPARENT	A0	24v	LAMP/NEON
1212090003	S92200TA030R	TYPE B ISO TRANSPARENT	A0	48v	LAMP/NEON
1212090004	S92200TA040R	TYPE B ISO TRANSPARENT	A0	115v	LAMP/NEON
1212090005	S92200TA050R	TYPE B ISO TRANSPARENT	A0	230v	LAMP/NEON

Part No	MPM Part No	DESCRIPTION	CIRCUIT	VOLTAGE	INDICATOR
1212090036	S92200TC410R	TYPE B ISO TRANSPARENT	C4	12v	RED LED
1212090037	S92200TC420R	TYPE B ISO TRANSPARENT	C4	24v	RED LED
1212090038	S92200TC430R	TYPE B ISO TRANSPARENT	C4	48v	RED LED
1212090039	S92200TC440R	TYPE B ISO TRANSPARENT	C4	115v	RED LED
1212090040	S92200TC450R	TYPE B ISO TRANSPARENT	C4	230v	RED LED
1212090041	S92200TC4A0R	TYPE B ISO TRANSPARENT	C4	12v	GREEN LED
1212090042	S92200TC4B0R	TYPE B ISO TRANSPARENT	C4	24v	GREEN LED
1212090043	S92200TC4C0R	TYPE B ISO TRANSPARENT	C4	48v	GREEN LED
1212090044	S92200TC4D0R	TYPE B ISO TRANSPARENT	C4	115v	GREEN LED
1212090045	S92200TC4E0R	TYPE B ISO TRANSPARENT	C4	230v	GREEN LED
1212090046	S92200TC4G0R	TYPE B ISO TRANSPARENT	C4	12v	AMBER LED
1212090047	S92200TC4H0R	TYPE B ISO TRANSPARENT	C4	24v	AMBER LED
1212090048	S92200TC4K0R	TYPE B ISO TRANSPARENT	C4	48v	AMBER LED
1212090049	S92200TC4L0R	TYPE B ISO TRANSPARENT	C4	115v	AMBER LED
1212090050	S92200TC4M0R	TYPE B ISO TRANSPARENT	C4	230v	AMBER LED

Part No	MPM Part No	DESCRIPTION	CIRCUIT	VOLTAGE	INDICATOR
1212090006	S92200TA110R	TYPE B ISO TRANSPARENT	A1	12v	RED LED
1212090007	S92200TA120R	TYPE B ISO TRANSPARENT	A1	24v	RED LED
1212090008	S92200TA130R	TYPE B ISO TRANSPARENT	A1	48v	RED LED
1212090009	S92200TA140R	TYPE B ISO TRANSPARENT	A1	115v	RED LED
1212090010	S92200TA150R	TYPE B ISO TRANSPARENT	A1	230v	RED LED
1212090011	S92200TA1A0R	TYPE B ISO TRANSPARENT	A1	12v	GREEN LED
1212090012	S92200TA1B0R	TYPE B ISO TRANSPARENT	A1	24v	GREEN LED
1212090013	S92200TA1C0R	TYPE B ISO TRANSPARENT	A1	48v	GREEN LED
1212090014	S92200TA1D0R	TYPE B ISO TRANSPARENT	A1	115v	GREEN LED
1212090015	S92200TA1E0R	TYPE B ISO TRANSPARENT	A1	230v	GREEN LED
1212090016	S92200TA1G0R	TYPE B ISO TRANSPARENT	A1	12v	AMBER LED
1212090017	S92200TA1H0R	TYPE B ISO TRANSPARENT	A1	24v	AMBER LED
1212090018	S92200TA1K0R	TYPE B ISO TRANSPARENT	A1	48v	AMBER LED
1212090019	S92200TA1L0R	TYPE B ISO TRANSPARENT	A1	115v	AMBER LED
1212090020	S92200TA1M0R	TYPE B ISO TRANSPARENT	A1	230v	AMBER LED

Part No	MPM Part No	DESCRIPTION	CIRCUIT	VOLTAGE	INDICATOR
1212090051	S92200TD010R	TYPE B ISO TRANSPARENT	D0	12v	VDR
1212090052	S92200TD020R	TYPE B ISO TRANSPARENT	D0	24v	VDR
1212090053	S92200TD030R	TYPE B ISO TRANSPARENT	D0	48v	VDR
1212090054	S92200TD040R	TYPE B ISO TRANSPARENT	D0	115v	VDR
1212090055	S92200TD050R	TYPE B ISO TRANSPARENT	D0	230v	VDR

Part No	MPM Part No	DESCRIPTION	CIRCUIT	VOLTAGE	INDICATOR
1212090021	S92200TC310R	TYPE B ISO TRANSPARENT	C3	12v	RED LED
1212090022	S92200TC320R	TYPE B ISO TRANSPARENT	C3	24v	RED LED
1212090023	S92200TC330R	TYPE B ISO TRANSPARENT	C3	48v	RED LED
1212090024	S92200TC340R	TYPE B ISO TRANSPARENT	C3	115v	RED LED
1212090025	S92200TC350R	TYPE B ISO TRANSPARENT	C3	230v	RED LED
1212090026	S92200TC3A0R	TYPE B ISO TRANSPARENT	C3	12v	GREEN LED
1212090027	S92200TC3B0R	TYPE B ISO TRANSPARENT	C3	24v	GREEN LED
1212090028	S92200TC3C0R	TYPE B ISO TRANSPARENT	C3	48v	GREEN LED
1212090029	S92200TC3D0R	TYPE B ISO TRANSPARENT	C3	115v	GREEN LED
1212090030	S92200TC3E0R	TYPE B ISO TRANSPARENT	C3	230v	GREEN LED
1212090031	S92200TC3G0R	TYPE B ISO TRANSPARENT	C3	12v	AMBER LED
1212090032	S92200TC3H0R	TYPE B ISO TRANSPARENT	C3	24v	AMBER LED
1212090033	S92200TC3K0R	TYPE B ISO TRANSPARENT	C3	48v	AMBER LED
1212090034	S92200TC3L0R	TYPE B ISO TRANSPARENT	C3	115v	AMBER LED
1212090035	S92200TC3M0R	TYPE B ISO TRANSPARENT	C3	230v	AMBER LED

Part No	MPM Part No	DESCRIPTION	CIRCUIT	VOLTAGE	INDICATOR
1212090060	S92200NE050R	TYPE B ISO BLACK	E0	230v	DIODE

SEE SHEET 1 EC NO: WEU2011-0374 DRAWN: DCARTON 2011/07/25 CHKD: APPR: EFOLAN 2011/07/11 REV	QUALITY SYMBOLS	GENERAL TOLERANCES (UNLESS SPECIFIED)	DIMENSION STYLE MM ONLY	SCALE 1:1	DESIGN UNITS METRIC	THIRD ANGLE PROJECTION
	▽=0	4 PLACES ± --- ± ---	mm INCH	DRAWN BY DCARTON	DATE 2010/07/21	TITLE EXTERNAL THREAD S92 SERIES 121209
	▽=0	3 PLACES ± --- ± ---		CHECKED BY DMAHER	DATE 2010/07/21	
		2 PLACES ± 0.1 ± ---		APPROVED BY EFOLAN	DATE 2010/08/09	MATERIAL NO. DOCUMENT NO.
	1 PLACE ± 0.2 ± ---	ANGULAR ± ---°				SHEET NO. 2 OF 6
		DRAFT WHERE APPLICABLE MUST REMAIN WITHIN DIMENSIONS	SIZE A2	THIS DRAWING CONTAINS INFORMATION THAT IS PROPRIETARY TO MOLEX INCORPORATED AND SHOULD NOT BE USED WITHOUT WRITTEN PERMISSION		

Part No	MPM Part No	DESCRIPTION	CIRCUIT	VOLTAGE	INDICATOR
1212090061	S92200TS010R	TYPE B ISO TRANSPARENT	S0	12v	RED LED
1212090062	S92200TS020R	TYPE B ISO TRANSPARENT	S0	24v	RED LED
1212090063	S92200TS030R	TYPE B ISO TRANSPARENT	S0	48v	RED LED
1212090064	S92200TS040R	TYPE B ISO TRANSPARENT	S0	115v	RED LED
1212090065	S92200TS050R	TYPE B ISO TRANSPARENT	S0	230v	RED LED
1212090066	S92200TSA0R	TYPE B ISO TRANSPARENT	S0	12v	GREEN LED
1212090067	S92200TS0B0R	TYPE B ISO TRANSPARENT	S0	24v	GREEN LED
1212090068	S92200TSC0R	TYPE B ISO TRANSPARENT	S0	48v	GREEN LED
1212090069	S92200TSD0R	TYPE B ISO TRANSPARENT	S0	115v	GREEN LED
1212090070	S92200TSE0R	TYPE B ISO TRANSPARENT	S0	230v	GREEN LED
1212090071	S92200TS0G0R	TYPE B ISO TRANSPARENT	S0	12v	AMBER LED
1212090072	S92200TSH0R	TYPE B ISO TRANSPARENT	S0	24v	AMBER LED
1212090073	S92200TS0K0R	TYPE B ISO TRANSPARENT	S0	48v	AMBER LED
1212090074	S92200TSL0R	TYPE B ISO TRANSPARENT	S0	115v	AMBER LED
1212090075	S92200TSM0R	TYPE B ISO TRANSPARENT	S0	230v	AMBER LED

Part No	MPM Part No	DESCRIPTION	CIRCUIT	VOLTAGE	INDICATOR
1212090086	S92200TA110RCN	TYPE B ISO TRANSPARENT	A1	12v	RED LED
1212090087	S92200TA120RCN	TYPE B ISO TRANSPARENT	A1	24v	RED LED
1212090088	S92200TA130RCN	TYPE B ISO TRANSPARENT	A1	48v	RED LED
1212090089	S92200TA140RCN	TYPE B ISO TRANSPARENT	A1	115v	RED LED
1212090090	S92200TA150RCN	TYPE B ISO TRANSPARENT	A1	230v	RED LED
1212090091	S92200TA1A0RCN	TYPE B ISO TRANSPARENT	A1	12v	GREEN LED
1212090092	S92200TA1B0RCN	TYPE B ISO TRANSPARENT	A1	24v	GREEN LED
1212090093	S92200TA1C0RCN	TYPE B ISO TRANSPARENT	A1	48v	GREEN LED
1212090094	S92200TA1D0RCN	TYPE B ISO TRANSPARENT	A1	115v	GREEN LED
1212090095	S92200TA1E0RCN	TYPE B ISO TRANSPARENT	A1	230v	GREEN LED
1212090096	S92200TA1G0RCN	TYPE B ISO TRANSPARENT	A1	12v	AMBER LED
1212090097	S92200TA1H0RCN	TYPE B ISO TRANSPARENT	A1	24v	AMBER LED
1212090098	S92200TA1K0RCN	TYPE B ISO TRANSPARENT	A1	48v	AMBER LED
1212090099	S92200TA1L0RCN	TYPE B ISO TRANSPARENT	A1	115v	AMBER LED
1212090100	S92200TA1M0RCN	TYPE B ISO TRANSPARENT	A1	230v	AMBER LED

Part No	MPM Part No	DESCRIPTION	CIRCUIT	VOLTAGE	INDICATOR
1212090076	S92200NS110R	TYPE B ISO BLACK	S1	12v	NO LED
1212090077	S92200NS120R	TYPE B ISO BLACK	S1	24v	NO LED
1212090078	S92200NS130R	TYPE B ISO BLACK	S1	48v	NO LED
1212090079	S92200NS140R	TYPE B ISO BLACK	S1	115v	NO LED
1212090080	S92200NS150R	TYPE B ISO BLACK	S1	230v	NO LED

Part No	MPM Part No	DESCRIPTION	CIRCUIT	VOLTAGE	INDICATOR
1212090101	S92200TC310RCN	TYPE B ISO TRANSPARENT	C3	12v	RED LED
1212090102	S92200TC320RCN	TYPE B ISO TRANSPARENT	C3	24v	RED LED
1212090103	S92200TC330RCN	TYPE B ISO TRANSPARENT	C3	48v	RED LED
1212090104	S92200TC340RCN	TYPE B ISO TRANSPARENT	C3	115v	RED LED
1212090105	S92200TC350RCN	TYPE B ISO TRANSPARENT	C3	230v	RED LED
1212090106	S92200TC3A0RCN	TYPE B ISO TRANSPARENT	C3	12v	GREEN LED
1212090107	S92200TC3B0RCN	TYPE B ISO TRANSPARENT	C3	24v	GREEN LED
1212090108	S92200TC3C0RCN	TYPE B ISO TRANSPARENT	C3	48v	GREEN LED
1212090109	S92200TC3D0RCN	TYPE B ISO TRANSPARENT	C3	115v	GREEN LED
1212090110	S92200TC3E0RCN	TYPE B ISO TRANSPARENT	C3	230v	GREEN LED
1212090111	S92200TC3G0RCN	TYPE B ISO TRANSPARENT	C3	12v	AMBER LED
1212090112	S92200TC3H0RCN	TYPE B ISO TRANSPARENT	C3	24v	AMBER LED
1212090113	S92200TC3K0RCN	TYPE B ISO TRANSPARENT	C3	48v	AMBER LED
1212090114	S92200TC3L0RCN	TYPE B ISO TRANSPARENT	C3	115v	AMBER LED
1212090115	S92200TC3M0RCN	TYPE B ISO TRANSPARENT	C3	230v	AMBER LED

Part No	MPM Part No	DESCRIPTION	CIRCUIT	VOLTAGE	INDICATOR
1212090081	S92200TA010RCN	TYPE B ISO TRANSPARENT	A0	12v	LAMP/NEON
1212090082	S92200TA020RCN	TYPE B ISO TRANSPARENT	A0	24v	LAMP/NEON
1212090083	S92200TA030RCN	TYPE B ISO TRANSPARENT	A0	48v	LAMP/NEON
1212090084	S92200TA040RCN	TYPE B ISO TRANSPARENT	A0	115v	LAMP/NEON
1212090085	S92200TA050RCN	TYPE B ISO TRANSPARENT	A0	230v	LAMP/NEON

SEE SHEET 1 EC NO: WEU2011-0374 DRAWN: DCARTON 2011/01/25 CHKD: CHIKO APPR: EFOLAN 2011/02/11	QUALITY SYMBOLS	GENERAL TOLERANCES (UNLESS SPECIFIED)	DIMENSION STYLE	SCALE	DESIGN UNITS	THIRD ANGLE PROJECTION
	$\nabla=0$ $\nabla=0$	mm    INCH 4 PLACES ± --- ± --- 3 PLACES ± --- ± --- 2 PLACES ± 0.1 ± --- 1 PLACE ± 0.2 ± --- ANGULAR ± ---°	MM ONLY DRAWN BY: DCARTON    DATE: 2010/07/21 CHECKED BY: MAHER    DATE: 2010/07/21 APPROVED BY: EFOLAN    DATE: 2010/08/09	1:1	METRIC	EXTERNAL THREAD S92 SERIES 121209
	DRAFT WHERE APPLICABLE MUST REMAIN WITHIN DIMENSIONS	SEE TABLES	MATERIAL NO.	MOLEX INCORPORATED		SD-121209-001
		SIZE A 2	THIS DRAWING CONTAINS INFORMATION THAT IS PROPRIETARY TO MOLEX INCORPORATED AND SHOULD NOT BE USED WITHOUT WRITTEN PERMISSION		SHEET NO. 3 OF 6	

Part No	MPM Part No	DESCRIPTION	CIRCUIT	VOLTAGE	INDICATOR
1212090116	S92200TC410RCN	TYPE B ISO TRANSPARENT	C4	12v	RED LED
1212090117	S92200TC420RCN	TYPE B ISO TRANSPARENT	C4	24v	RED LED
1212090118	S92200TC430RCN	TYPE B ISO TRANSPARENT	C4	48v	RED LED
1212090119	S92200TC440RCN	TYPE B ISO TRANSPARENT	C4	115v	RED LED
1212090120	S92200TC450RCN	TYPE B ISO TRANSPARENT	C4	230v	RED LED
1212090121	S92200TC4A0RCN	TYPE B ISO TRANSPARENT	C4	12v	GREEN LED
1212090122	S92200TC4B0RCN	TYPE B ISO TRANSPARENT	C4	24v	GREEN LED
1212090123	S92200TC4C0RCN	TYPE B ISO TRANSPARENT	C4	48v	GREEN LED
1212090124	S92200TC4D0RCN	TYPE B ISO TRANSPARENT	C4	115v	GREEN LED
1212090125	S92200TC4E0RCN	TYPE B ISO TRANSPARENT	C4	230v	GREEN LED
1212090126	S92200TC4G0RCN	TYPE B ISO TRANSPARENT	C4	12v	AMBER LED
1212090127	S92200TC4H0RCN	TYPE B ISO TRANSPARENT	C4	24v	AMBER LED
1212090128	S92200TC4K0RCN	TYPE B ISO TRANSPARENT	C4	48v	AMBER LED
1212090129	S92200TC4L0RCN	TYPE B ISO TRANSPARENT	C4	115v	AMBER LED
1212090130	S92200TC4M0RCN	TYPE B ISO TRANSPARENT	C4	230v	AMBER LED

Part No	MPM Part No	DESCRIPTION	CIRCUIT	VOLTAGE	INDICATOR
1212090141	S92200TS010RCN	TYPE B ISO TRANSPARENT	S0	12v	RED LED
1212090142	S92200TS020RCN	TYPE B ISO TRANSPARENT	S0	24v	RED LED
1212090143	S92200TS030RCN	TYPE B ISO TRANSPARENT	S0	48v	RED LED
1212090144	S92200TS040RCN	TYPE B ISO TRANSPARENT	S0	115v	RED LED
1212090145	S92200TS050RCN	TYPE B ISO TRANSPARENT	S0	230v	RED LED
1212090146	S92200TS0A0RCN	TYPE B ISO TRANSPARENT	S0	12v	GREEN LED
1212090147	S92200TS0B0RCN	TYPE B ISO TRANSPARENT	S0	24v	GREEN LED
1212090148	S92200TS0C0RCN	TYPE B ISO TRANSPARENT	S0	48v	GREEN LED
1212090149	S92200TS0D0RCN	TYPE B ISO TRANSPARENT	S0	115v	GREEN LED
1212090150	S92200TS0E0RCN	TYPE B ISO TRANSPARENT	S0	230v	GREEN LED
1212090151	S92200TS0G0RCN	TYPE B ISO TRANSPARENT	S0	12v	AMBER LED
1212090152	S92200TS0H0RCN	TYPE B ISO TRANSPARENT	S0	24v	AMBER LED
1212090153	S92200TS0K0RCN	TYPE B ISO TRANSPARENT	S0	48v	AMBER LED
1212090154	S92200TS0L0RCN	TYPE B ISO TRANSPARENT	S0	115v	AMBER LED
1212090155	S92200TS0M0RCN	TYPE B ISO TRANSPARENT	S0	230v	AMBER LED

Part No	MPM Part No	DESCRIPTION	CIRCUIT	VOLTAGE	INDICATOR
1212090131	S92200TD010RCN	TYPE B ISO TRANSPARENT	D0	12v	VDR
1212090132	S92200TD020RCN	TYPE B ISO TRANSPARENT	D0	24v	VDR
1212090133	S92200TD030RCN	TYPE B ISO TRANSPARENT	D0	48v	VDR
1212090134	S92200TD040RCN	TYPE B ISO TRANSPARENT	D0	115v	VDR
1212090135	S92200TD050RCN	TYPE B ISO TRANSPARENT	D0	230v	VDR

Part No	MPM Part No	DESCRIPTION	CIRCUIT	VOLTAGE	INDICATOR
1212090156	S92200NS110RCN	TYPE B ISO BLACK	S1	12v	NO LED
1212090157	S92200NS120RCN	TYPE B ISO BLACK	S1	24v	NO LED
1212090158	S92200NS130RCN	TYPE B ISO BLACK	S1	48v	NO LED
1212090159	S92200NS140RCN	TYPE B ISO BLACK	S1	115v	NO LED
1212090160	S92200NS150RCN	TYPE B ISO BLACK	S1	230v	NO LED

Part No	MPM Part No	DESCRIPTION	CIRCUIT	VOLTAGE	INDICATOR
1212090140	S92200NE050RCN	TYPE B ISO BLACK	E0	230v	DIODE

Part No	MPM Part No	DESCRIPTION	CIRCUIT	VOLTAGE	INDICATOR
1212090161	S92200TA012RSN	TYPE B ISO TRANSPARENT	A0	12v	LAMP/NEON
1212090162	S92200TA022RSN	TYPE B ISO TRANSPARENT	A0	24v	LAMP/NEON
1212090163	S92200TA032RSN	TYPE B ISO TRANSPARENT	A0	48v	LAMP/NEON
1212090164	S92200TA042RSN	TYPE B ISO TRANSPARENT	A0	115v	LAMP/NEON
1212090165	S92200TA052RSN	TYPE B ISO TRANSPARENT	A0	230v	LAMP/NEON

SEE SHEET 1 EC NO: WEU2011-0374 DRAWN: DCARTON 2011/07/21 CHKD: EFOLAN APPR: EFOLAN 2011/07/11	QUALITY SYMBOLS	GENERAL TOLERANCES (UNLESS SPECIFIED)	DIMENSION STYLE	SCALE	DESIGN UNITS	FIRST ANGLE PROJECTION
	▽=0 ▽=0	mm INCH 4 PLACES ± --- ± --- 3 PLACES ± --- ± --- 2 PLACES ± 0.1 ± --- 1 PLACE ± 0.2 ± --- ANGULAR ± ---°	MM ONLY DRAWN BY: DCARTON DATE: 2010/07/21 CHECKED BY: DMAHER DATE: 2010/07/21 APPROVED BY: EFOLAN DATE: 2010/08/09	1:1	METRIC	EXTERNAL THREAD S92 SERIES 121209
	DRAFT WHERE APPLICABLE MUST REMAIN WITHIN DIMENSIONS	SEE TABLES	MATERIAL NO. SD-121209-001	MOLEX INCORPORATED		SHEET NO. 4 OF 6
	THIS DRAWING CONTAINS INFORMATION THAT IS PROPRIETARY TO MOLEX INCORPORATED AND SHOULD NOT BE USED WITHOUT WRITTEN PERMISSION					

Part No	MPM Part No	DESCRIPTION	CIRCUIT	VOLTAGE	INDICATOR
1212090166	S92200TA112RSN	TYPE B ISO TRANSPARENT	A1	12v	RED LED
1212090167	S92200TA122RSN	TYPE B ISO TRANSPARENT	A1	24v	RED LED
1212090168	S92200TA132RSN	TYPE B ISO TRANSPARENT	A1	48v	RED LED
1212090169	S92200TA142RSN	TYPE B ISO TRANSPARENT	A1	115v	RED LED
1212090170	S92200TA152RSN	TYPE B ISO TRANSPARENT	A1	230v	RED LED
1212090171	S92200TA1A2RSN	TYPE B ISO TRANSPARENT	A1	12v	GREEN LED
1212090172	S92200TA1B2RSN	TYPE B ISO TRANSPARENT	A1	24v	GREEN LED
1212090173	S92200TA1C2RSN	TYPE B ISO TRANSPARENT	A1	48v	GREEN LED
1212090174	S92200TA1D2RSN	TYPE B ISO TRANSPARENT	A1	115v	GREEN LED
1212090175	S92200TA1E2RSN	TYPE B ISO TRANSPARENT	A1	230v	GREEN LED
1212090176	S92200TA1G2RSN	TYPE B ISO TRANSPARENT	A1	12v	AMBER LED
1212090177	S92200TA1H2RSN	TYPE B ISO TRANSPARENT	A1	24v	AMBER LED
1212090178	S92200TA1K2RSN	TYPE B ISO TRANSPARENT	A1	48v	AMBER LED
1212090179	S92200TA1L2RSN	TYPE B ISO TRANSPARENT	A1	115v	AMBER LED
1212090180	S92200TA1M2RSN	TYPE B ISO TRANSPARENT	A1	230v	AMBER LED

Part No	MPM Part No	DESCRIPTION	CIRCUIT	VOLTAGE	INDICATOR
1212090196	S92200TC412RSN	TYPE B ISO TRANSPARENT	C4	12v	RED LED
1212090197	S92200TC422RSN	TYPE B ISO TRANSPARENT	C4	24v	RED LED
1212090198	S92200TC432RSN	TYPE B ISO TRANSPARENT	C4	48v	RED LED
1212090199	S92200TC442RSN	TYPE B ISO TRANSPARENT	C4	115v	RED LED
1212090200	S92200TC452RSN	TYPE B ISO TRANSPARENT	C4	230v	RED LED
1212090201	S92200TC4A2RSN	TYPE B ISO TRANSPARENT	C4	12v	GREEN LED
1212090202	S92200TC4B2RSN	TYPE B ISO TRANSPARENT	C4	24v	GREEN LED
1212090203	S92200TC4C2RSN	TYPE B ISO TRANSPARENT	C4	48v	GREEN LED
1212090204	S92200TC4D2RSN	TYPE B ISO TRANSPARENT	C4	115v	GREEN LED
1212090205	S92200TC4E2RSN	TYPE B ISO TRANSPARENT	C4	230v	GREEN LED
1212090206	S92200TC4G2RSN	TYPE B ISO TRANSPARENT	C4	12v	AMBER LED
1212090207	S92200TC4H2RSN	TYPE B ISO TRANSPARENT	C4	24v	AMBER LED
1212090208	S92200TC4K2RSN	TYPE B ISO TRANSPARENT	C4	48v	AMBER LED
1212090209	S92200TC4L2RSN	TYPE B ISO TRANSPARENT	C4	115v	AMBER LED
1212090210	S92200TC4M2RSN	TYPE B ISO TRANSPARENT	C4	230v	AMBER LED

Part No	MPM Part No	DESCRIPTION	CIRCUIT	VOLTAGE	INDICATOR
1212090181	S92200TC312RSN	TYPE B ISO TRANSPARENT	C3	12v	RED LED
1212090182	S92200TC322RSN	TYPE B ISO TRANSPARENT	C3	24v	RED LED
1212090183	S92200TC332RSN	TYPE B ISO TRANSPARENT	C3	48v	RED LED
1212090184	S92200TC342RSN	TYPE B ISO TRANSPARENT	C3	115v	RED LED
1212090185	S92200TC352RSN	TYPE B ISO TRANSPARENT	C3	230v	RED LED
1212090186	S92200TC3A2RSN	TYPE B ISO TRANSPARENT	C3	12v	GREEN LED
1212090187	S92200TC3B2RSN	TYPE B ISO TRANSPARENT	C3	24v	GREEN LED
1212090188	S92200TC3C2RSN	TYPE B ISO TRANSPARENT	C3	48v	GREEN LED
1212090189	S92200TC3D2RSN	TYPE B ISO TRANSPARENT	C3	115v	GREEN LED
1212090190	S92200TC3E2RSN	TYPE B ISO TRANSPARENT	C3	230v	GREEN LED
1212090191	S92200TC3G2RSN	TYPE B ISO TRANSPARENT	C3	12v	AMBER LED
1212090192	S92200TC3H2RSN	TYPE B ISO TRANSPARENT	C3	24v	AMBER LED
1212090193	S92200TC3K2RSN	TYPE B ISO TRANSPARENT	C3	48v	AMBER LED
1212090194	S92200TC3L2RSN	TYPE B ISO TRANSPARENT	C3	115v	AMBER LED
1212090195	S92200TC3M2RSN	TYPE B ISO TRANSPARENT	C3	230v	AMBER LED

Part No	MPM Part No	DESCRIPTION	CIRCUIT	VOLTAGE	INDICATOR
1212090211	S92200TD012RSN	TYPE B ISO TRANSPARENT	D0	12v	VDR
1212090212	S92200TD022RSN	TYPE B ISO TRANSPARENT	D0	24v	VDR
1212090213	S92200TD032RSN	TYPE B ISO TRANSPARENT	D0	48v	VDR
1212090214	S92200TD042RSN	TYPE B ISO TRANSPARENT	D0	115v	VDR
1212090215	S92200TD052RSN	TYPE B ISO TRANSPARENT	D0	230v	VDR


Part No	MPM Part No	DESCRIPTION	CIRCUIT	VOLTAGE	INDICATOR
1212090220	S92200NE052RSN	TYPE B ISO BLACK	E0	230v	DIODE

SEE SHEET 1 EC NO: WEU2011-0374 DRAWN: DCARTON 2011/01/25 CHKD: APPR: EFOLAN 2011/02/11	QUALITY SYMBOLS	GENERAL TOLERANCES (UNLESS SPECIFIED)	DIMENSION STYLE	SCALE	DESIGN UNITS	FIRST ANGLE PROJECTION	
	▽=0 ▽=0	mm INCH	MM ONLY	1:1	METRIC		
		4 PLACES ± --- ± --- 3 PLACES ± --- ± --- 2 PLACES ± 0.1 ± --- 1 PLACE ± 0.2 ± ---	DRAWN BY DATE DCARTON 2010/07/21	TITLE EXTERNAL THREAD S92 SERIES 121209			
		ANGULAR ± ---°	CHECKED BY DATE DMAHER 2010/07/21				
	DRAFT WHERE APPLICABLE MUST REMAIN WITHIN DIMENSIONS	APPROVED BY DATE EFOLAN 2010/08/09	MATERIAL NO. DOCUMENT NO. SEE TABLES SD-121209-001				
			THIS DRAWING CONTAINS INFORMATION THAT IS PROPRIETARY TO MOLEX INCORPORATED AND SHOULD NOT BE USED WITHOUT WRITTEN PERMISSION				

J  
I  
H  
G  
F  
E  
D  
C  
B  
A

Part No	MPM Part No	DESCRIPTION	CIRCUIT	VOLTAGE	INDICATOR
1212090221	S92200TS012RSN	TYPE B ISO TRANSPARENT	S0	12v	RED LED
1212090222	S92200TS022RSN	TYPE B ISO TRANSPARENT	S0	24v	RED LED
1212090223	S92200TS032RSN	TYPE B ISO TRANSPARENT	S0	48v	RED LED
1212090224	S92200TS042RSN	TYPE B ISO TRANSPARENT	S0	115v	RED LED
1212090225	S92200TS052RSN	TYPE B ISO TRANSPARENT	S0	230v	RED LED
1212090226	S92200TS0A2RSN	TYPE B ISO TRANSPARENT	S0	12v	GREEN LED
1212090227	S92200TS0B2RSN	TYPE B ISO TRANSPARENT	S0	24v	GREEN LED
1212090228	S92200TS0C2RSN	TYPE B ISO TRANSPARENT	S0	48v	GREEN LED
1212090229	S92200TS0D2RSN	TYPE B ISO TRANSPARENT	S0	115v	GREEN LED
1212090230	S92200TS0E2RSN	TYPE B ISO TRANSPARENT	S0	230v	GREEN LED
1212090231	S92200TS0G2RSN	TYPE B ISO TRANSPARENT	S0	12v	AMBER LED
1212090232	S92200TS0H2RSN	TYPE B ISO TRANSPARENT	S0	24v	AMBER LED
1212090233	S92200TS0K2RSN	TYPE B ISO TRANSPARENT	S0	48v	AMBER LED
1212090234	S92200TS0L2RSN	TYPE B ISO TRANSPARENT	S0	115v	AMBER LED
1212090235	S92200TS0M2RSN	TYPE B ISO TRANSPARENT	S0	230v	AMBER LED

Part No	MPM Part No	DESCRIPTION	CIRCUIT	VOLTAGE	INDICATOR
1212090236	S92200NS112RSN	TYPE B ISO BLACK	S1	12v	NO LED
1212090237	S92200NS122RSN	TYPE B ISO BLACK	S1	24v	NO LED
1212090238	S92200NS132RSN	TYPE B ISO BLACK	S1	48v	NO LED
1212090239	S92200NS142RSN	TYPE B ISO BLACK	S1	115v	NO LED
1212090240	S92200NS152RSN	TYPE B ISO BLACK	S1	230v	NO LED

<b>SEE SHEET 1</b> EC NO: WEU2011-0374 DRAWN: DCARTON 2011/01/25 CHKD: APPR: EFOLAN 2011/02/11 REV	QUALITY SYMBOLS	GENERAL TOLERANCES (UNLESS SPECIFIED)	DIMENSION STYLE <b>MM ONLY</b>	SCALE <b>1:1</b>	DESIGN UNITS <b>METRIC</b>	FIRST ANGLE PROJECTION
	▽=0	mm INCH	DRAWN BY DCARTON	DATE 2010/07/21	TITLE <b>EXTERNAL THREAD S92 SERIES 121209</b>	
	▽=0	4 PLACES ± --- ± ---	CHECKED BY DMAHER	DATE 2010/07/21		
		3 PLACES ± --- ± ---	APPROVED BY EFOLAN	DATE 2010/08/09	 <b>MOLEX INCORPORATED</b> MATERIAL NO. DOCUMENT NO.	
	2 PLACES ± 0.1 ± ---	<b>SEE TABLES</b> SIZE A 2		SHEET NO. 6 OF 6		
	1 PLACE ± 0.2 ± ---	DRAFT WHERE APPLICABLE MUST REMAIN WITHIN DIMENSIONS		THIS DRAWING CONTAINS INFORMATION THAT IS PROPRIETARY TO MOLEX INCORPORATED AND SHOULD NOT BE USED WITHOUT WRITTEN PERMISSION		
	ANGULAR ± --- °					