

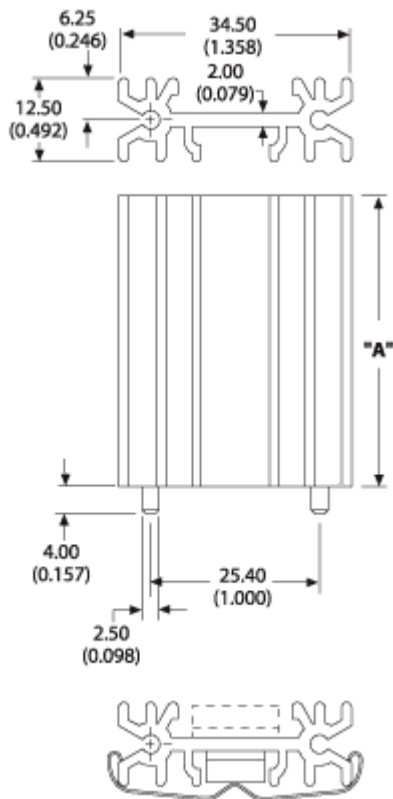
For use with TO-220/TO-218/TO-247 packages

Part Number - SW38-2G

VIS - 040080

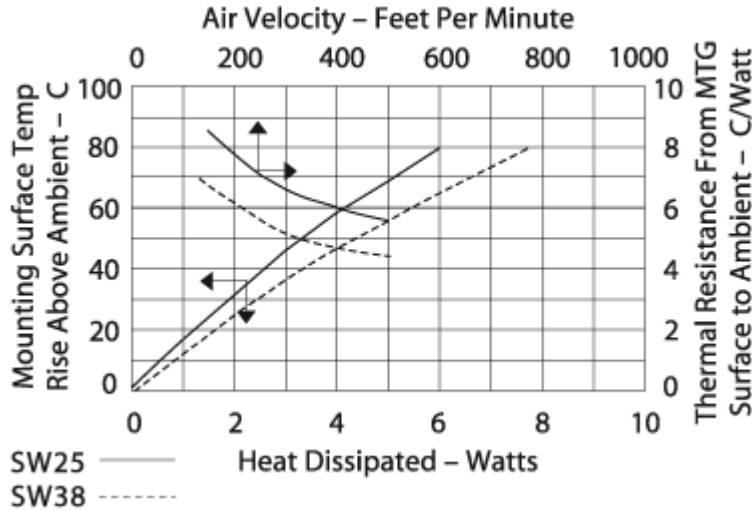


Mechanical Outline Drawing



A Dim **38.00**

Thermal Curves



Thermal Resistance	10.20
---------------------------	-------

Thermal resistance value is based on a 75°C rise in natural convection

Product Information

Part #	Description	Finish	Board Mounting
SW38-2G	Extruded heat sink with unequal channel widths	Black Anodize	N/A