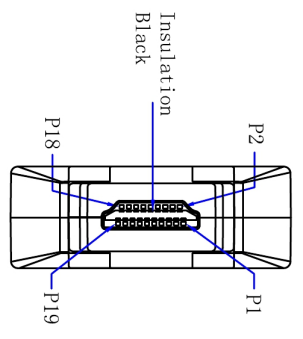
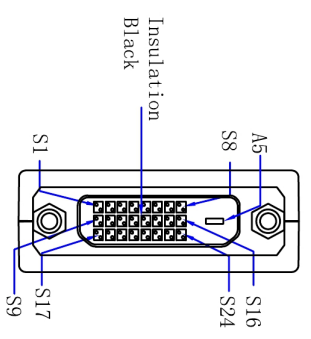


CUSTOMER CPC  
 PRODUCT NO. CS22576

SIDE:A



SIDE:B



SIDE:A HDMI M	SIDE:B DVI F	SIDE:A HDMI M	SIDE:B DVI F
3	1	17	15
1	2	19	16
2	3	9	17
15	6	7	18
16	7	8	19
6	9	11	22
4	10	10	23
5	11	12	24
18	14	Shell	Shell

PIN OUT:

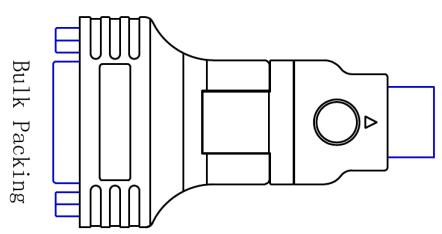
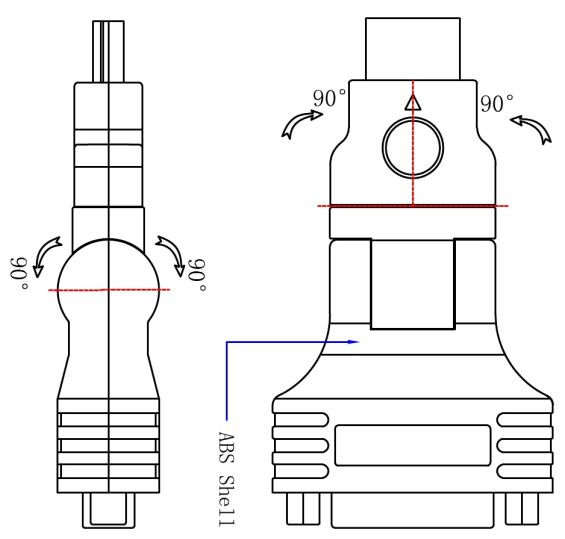
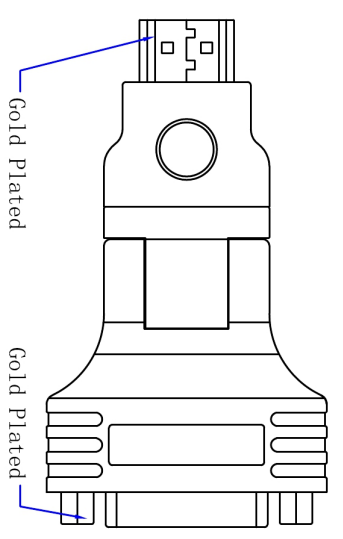
NOTE:

100% electrical performance test  
 Parameter Settings: CT-8681FA

REV	DESCRIPTION	DATE
0		2011/11/21

GENERAL TOLERANCES  
(UNLESS SPECIFIED)

LENGTH: X, ±1  
 .X±0.2  
 .XX±0.10  
 ANGLE: X°, ±1°  
 .X° ±0° 30'



UNIT: mm	REV: 0/A	NAME
DRAWING OVF	2011/11/21	HDMI M to DVI24+1 F ADAPTER
CHECK	P. O. NO.	DWG. NO.
APPROVE	SIZE	PAGE
		1/1