

- DESKTOP POWER SUPPLIES
- UNIVERSAL INPUT

30 WATT

**SWITCHING
POWER SUPPLY**



DESCRIPTION

The PUP30 Series of AC/DC switching power supplies provide 30 watts of continuous output power. They are enclosed in a 94V-0 polycarbonate case with an IEC320 inlet connector to mate with an interchangeable cord for worldwide use. All models meet VDE class B and FCC class B emission limits, and are approved to UL, CSA, and TUV safety standards.



FEATURES

- 13 standard desktop models
- Single, dual or triple outputs
- Optional output connectors
- 100% burn-in
- Wide input voltage 85 to 264 VAC
- Input surge current protection
- Overvoltage protection
- Overcurrent protection

OUTPUT VOLTAGE/CURRENT RATINGS CHART

| Model | Output #1 | | | | Output #2 | | | | Output #3 | | | | Maximum Output Power |
|------------|-----------|------|------------------|------|-----------|------|------------------|------|-----------|------|------------------|------|----------------------|
| | Vnom | Imin | I _{max} | Tol. | Vnom | Imin | I _{max} | Tol. | Vnom | Imin | I _{max} | Tol. | |
| PUP30-10 | 5V | 0A | 5.0A | 3% | | | N/A | | | | | | 25W |
| PUP30-12 | 12V | 0A | 2.7A | 2% | | | N/A | | | | | | 30W |
| PUP30-13 | 15V | 0A | 2.3A | 2% | | | N/A | | | | | | 30W |
| PUP30-13-1 | 18V | 0A | 1.7A | 2% | | | N/A | | | | | | 30W |
| PUP30-14 | 24V | 0A | 1.4A | 2% | | | N/A | | | | | | 30W |
| PUP30-16 | 30V | 0A | 1.1A | 2% | | | N/A | | | | | | 30W |
| PUP30-17 | 36V | 0A | 0.9A | 2% | | | N/A | | | | | | 30W |
| PUP30-18 | 48V | 0A | 0.7A | 2% | | | N/A | | | | | | 30W |
| PUP30-23 | +5V | 0.3A | 3.0A | 5% | +12V | 0.1A | 2.0A | 5% | | | | | 30W |
| PUP30-24 | +5V | 0.3A | 3.0A | 5% | +15V | 0.1A | 1.5A | 5% | | | | | 30W |
| PUP30-25 | +5V | 0.3A | 3.0A | 5% | +24V | 0.1A | 1.0A | 5% | | | | | 30W |
| PUP30-31 | +5V | 0.3A | 3.0A | 5% | +12V | 0A | 0.8A | 5% | -12V | 0A | 0.8A | 5% | 30W |
| PUP30-32 | +5V | 0.3A | 3.0A | 5% | +15V | 0A | 0.8A | 5% | -15V | 0A | 0.8A | 5% | 30W |

NOTE: All multiple output units may be operated at no-load without damage. At no-load, output tolerance increases to 10%.

GENERAL SPECIFICATIONS

All specifications are typical at nominal line, full load, and 25°C.

| | |
|----------------------------|--|
| Efficiency: | 65% minimum at 30W output |
| Hold-up time: | 10 msec minimum at 115 VAC |
| Line regulation: | ±0.5% maximum at full load |
| Inrush current: | 15 amps @ 115 VAC, or 30 amps @ 230 VAC at 25°C cold start |
| Withstand voltage: | 3000 VAC from input to output 1500 VAC from input to ground 500 VAC from output to ground |
| Insulation resistance: | 10 Mohm minimum from output to ground |
| Operating temperature: | 0 to 70°C* |
| Storage temperature: | -40 to +85°C |
| Mean time between failure: | 100,000 hours minimum at full load at 25°C ambient |
| EMI requirements: | Meets conduction and radiated limits of: a) FCC 20780 Level B b) CISPR 22 (EN 55022) Level B |
| Safety requirements: | Meets or exceeds a) UL 1950 b) CSA C22.2 No. 234 c) IEC 950 |

INPUT SPECIFICATIONS

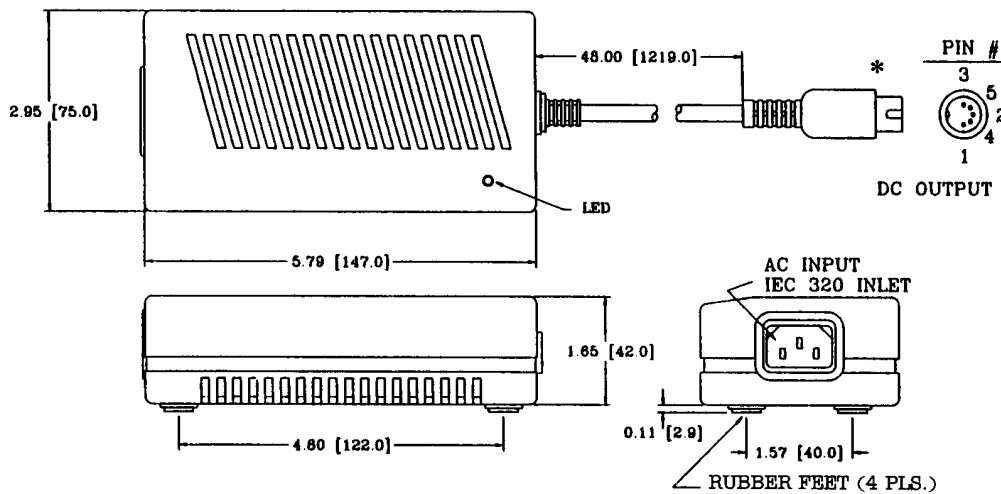
| | |
|--------------------------------|--|
| Input voltage: | 85 to 264 VAC |
| Input frequency: | 47 to 440 Hz |
| Input current: | 0.85A (rms) for 115 VAC 0.50A (rms) for 230 VAC |
| Safety ground leakage current: | 0.85mA max. @ 240 VAC 50Hz |

OUTPUT SPECIFICATIONS

| | |
|--------------------------|--|
| Output voltage: | See Rating Charts |
| Output current: | See Rating Charts |
| Output power range: | 0 to 30 Watts |
| Ripple and noise: | 1% peak to peak maximum |
| Overvoltage protection: | Provided on output #1 only; set at 112-132% of its nominal output voltage. |
| Overcurrent protection: | All outputs protected to short circuit conditions |
| Temperature Coefficient: | All outputs ±0.04%/°C maximum |
| Transient response: | Maximum excursion of 4% on all models recovering to 1% of final value within 500 uS after a 25% step load change. |

* Derate linearly from 100% load at 50°C to 50% load at 70°C

MECHANICAL SPECIFICATIONS



NOTE:

1. Dimensions shown in inches (mm)
2. Tolerance 0.02[0.5] maximum
3. Weight: 500 grams approx.
4. Consult factory for optional output connectors

*AMP Receptacle No. 212044-1 or Equivalent

PIN CHART

| Model | PIN | 1 | 2 | 3 | 4 | 5 |
|---------------------------------|-------------------------------|--------|--------|-----------|-----------|-----------|
| PUP30-10, PUP30-13-1, PUP30-17, | PUP30-12, PUP30-14, PUP30-18, | RETURN | RETURN | OUTPUT #1 | RETURN | OUTPUT #1 |
| PUP30-23, | PUP30-24, PUP30-25 | COMMON | COMMON | OUTPUT #1 | COMMON | OUTPUT #2 |
| PUP30-31, | PUP30-32, | COMMON | COMMON | OUTPUT #1 | OUTPUT #3 | OUTPUT #2 |



Your Source of Power ...

260 Hopping Brook Road, Holliston, MA 01746
TEL: (508) 429-4440 FAX: (800) 226-2100
<http://www.intlpower.com>