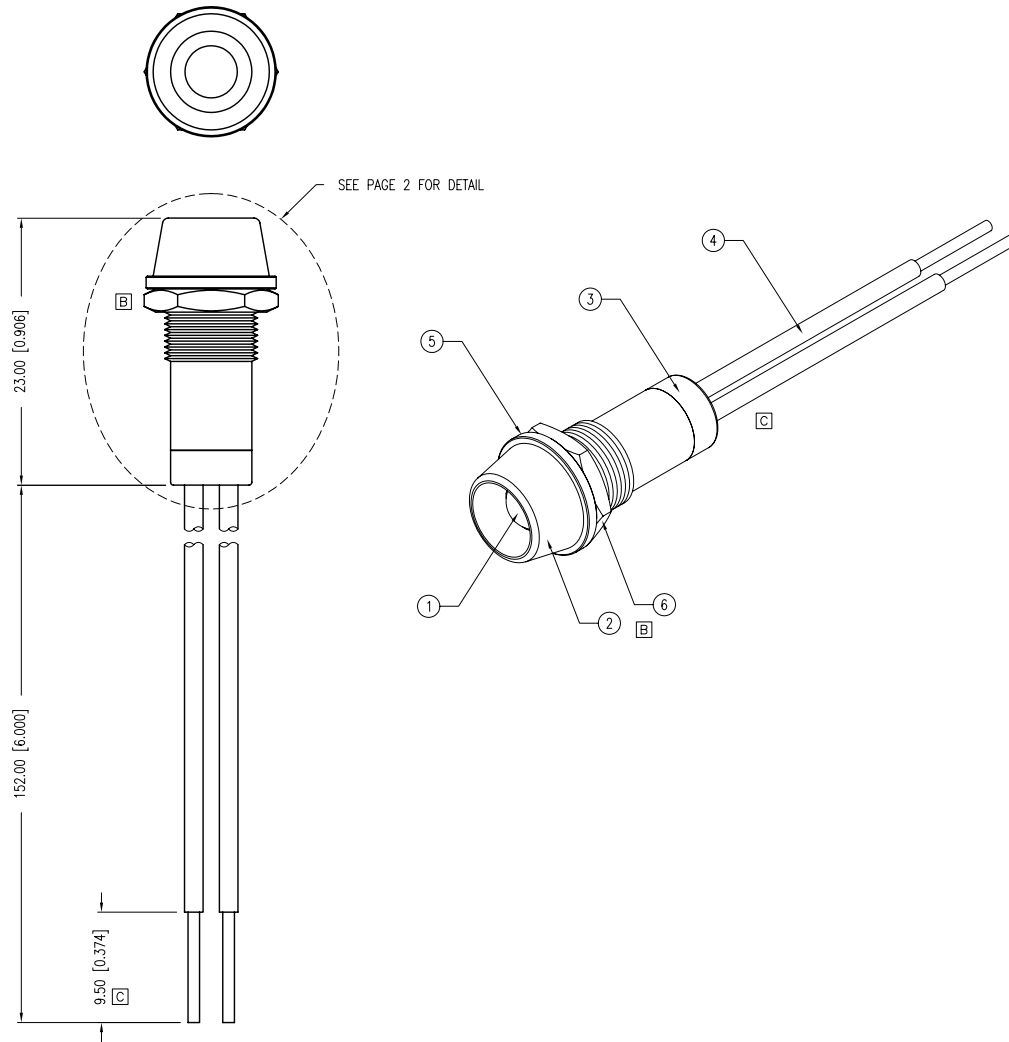


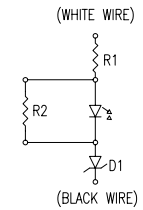
|             |                                     |      |      |
|-------------|-------------------------------------|------|------|
| PART NUMBER | SSI-LXR9126SID110V                  | REV. | C    |
| DATE        | E.C.N. NUMBER AND REVISION COMMENTS |      | REV. |
| 11.15.11    | E.C.N. #11769.                      |      | A    |
| 12.05.11    | E.C.N. #11775.                      |      | B    |
| 01.04.12    | E.C.N. #11793.                      |      | C    |



**[A] ELECTRO-OPTICAL CHARACTERISTICS  $T_o=25^{\circ}\text{C}$   $V_f=120\text{VAC}$**

| PARAMETER          | MIN          | TYP | MAX | UNITS              | TEST COND |
|--------------------|--------------|-----|-----|--------------------|-----------|
| PEAK WAVELENGTH    |              | 636 |     | nm                 |           |
| FORWARD VOLTAGE    |              | 120 |     | Vf                 | VAC       |
| AXIAL INTENSITY    |              | 100 |     | mcd                | Vf=120VAC |
| VIEWING ANGLE      |              | 60  |     | 2x theta           |           |
| OPERATING TEMP.    | -40          |     | +85 | $^{\circ}\text{C}$ |           |
| STORAGE TEMP.      | -40          |     | +85 | $^{\circ}\text{C}$ |           |
| EMITTED COLOR:     | RED          |     |     |                    |           |
| EPOXY LENS FINISH: | RED DIFFUSED |     |     |                    |           |

- [C] [B] NOTES:**
1. SSL-LX5093SID.
  2. SSI-LXR9126.
  3. NYLON UL94V0 BUSHING.
  4. 18AWG UL1015 STRANDED WIRE (WHITE & BLACK).
  5. LXP-LX9126-WASHER.
  6. LXP-LX9126-NUT.



\*UNLESS OTHERWISE SPECIFIED TOLERANCES PER DECIMAL PRECISION ARE: X=±1 (±0.039), X.X=±0.5 (±0.020), X.XX=±0.25 (±0.010), X.XXX=±0.127 (±0.005). LEAD SIZE=±0.05 (±0.002), LEAD LENGTH=±0.75 (±0.030). MIN=  $\begin{matrix} +0.00 \\ -0.00 \end{matrix}$  DECIMAL PRECISION MAX.=  $\begin{matrix} +0.00 \\ -0.00 \end{matrix}$  DECIMAL PRECISION UNCONTROLLED DOCUMENT

**LUMEX**  
 Creating LED and LCD Solutions Together™

290 E. HELEN ROAD  
 PALATINE, IL 60067-6976  
 PHONE: +1.847.359.2790  
 FAX: +1.847.359.6538  
 WEB: WWW.LUMEX.COM

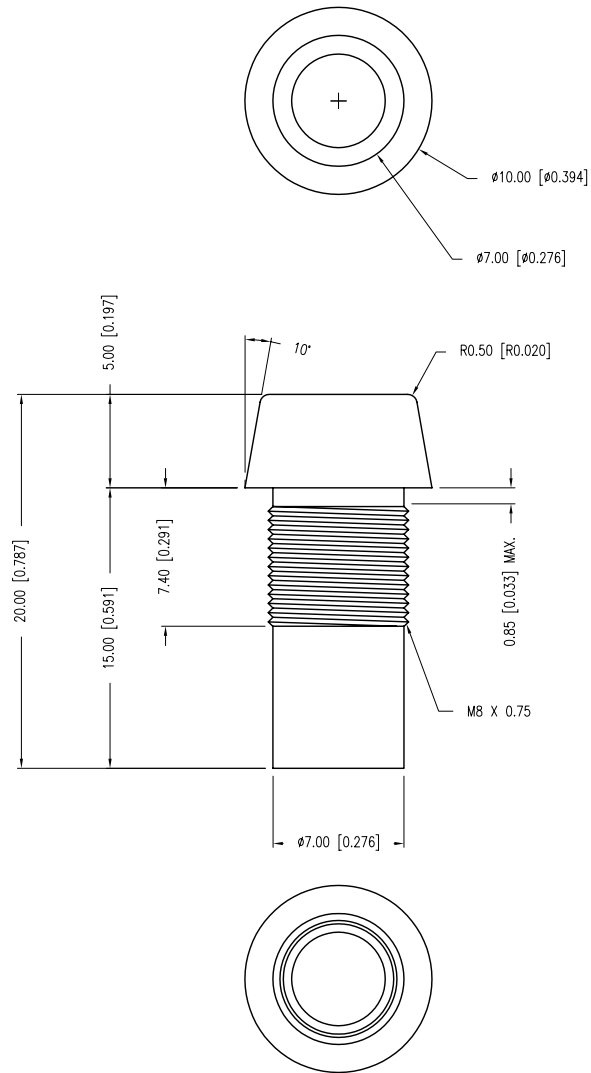
T5mm 636nm SUPER HIGH INTENSITY RED LED PANEL INDICATOR, RED DIFFUSED, 120VAC, 6" WIRE LEADS.

\*\*THE SPECIFICATIONS MAY CHANGE AT ANY TIME WITHOUT NOTICE DUE TO NEW MATERIALS OR PRODUCT IMPROVEMENT.\*\*

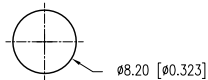
CONFIDENTIAL INFORMATION  
 THE INFORMATION CONTAINED IN THIS DOCUMENT IS THE PROPERTY OF LUMEX INC. EXCEPT AS SPECIFICALLY AUTHORIZED IN WRITING BY LUMEX INC., THE HOLDER OF THIS DOCUMENT SHALL KEEP ALL INFORMATION CONTAINED HEREIN CONFIDENTIAL AND SHALL PROTECT SAME IN WHOLE OR IN PART FROM DISCLOSURE AND DISSEMINATION TO ALL THIRD PARTIES.

|        |           |           |    |
|--------|-----------|-----------|----|
| DATE:  | 09.19.11  | DRAWN BY: | AB |
| PAGE:  | 1 OF 2    | CHKD BY:  | SS |
| SCALE: | NTS       | APRVD BY: | JD |
| UNIT:  | mm [INCH] |           |    |

| PART NUMBER | SSI-LXR9126SID110V                  | REV. | C    |
|-------------|-------------------------------------|------|------|
| DATE        | E.C.N. NUMBER AND REVISION COMMENTS |      | REV. |
| 11.15.11    | E.C.N. #11769.                      |      | A    |
| 12.05.11    | E.C.N. #11775.                      |      | B    |
| 01.04.12    | E.C.N. #11793.                      |      | C    |



PANEL CUTOUT



\*UNLESS OTHERWISE SPECIFIED TOLERANCES PER DECIMAL PRECISION ARE: X=±1 (±0.039), X,X=±0.5 (±0.020), X,XX=±0.25 (±0.010), X,XXX=±0.127 (±0.005). LEAD SIZE=±0.05 (±0.002), LEAD LENGTH=±0.75 (±0.030). MIN= <sup>+0.00</sup>DECIMAL PRECISION / -0.00 DECIMAL PRECISION

UNCONTROLLED DOCUMENT



290 E. HELEN ROAD  
PALATINE, IL 60067-6976  
PHONE: +1.847.359.2790  
FAX: +1.847.359.6538  
WEB: WWW.LUMEX.COM

T5mm 636nm SUPER HIGH INTENSITY RED LED PANEL INDICATOR, RED DIFFUSED, 120VAC, 6" WIRE LEADS.

\*\*THE SPECIFICATIONS MAY CHANGE AT ANY TIME WITHOUT NOTICE DUE TO NEW MATERIALS OR PRODUCT IMPROVEMENT.\*\*

CONFIDENTIAL INFORMATION  
THE INFORMATION CONTAINED IN THIS DOCUMENT IS THE PROPERTY OF LUMEX INC. EXCEPT AS SPECIFICALLY AUTHORIZED IN WRITING BY LUMEX INC., THE HOLDER OF THIS DOCUMENT SHALL KEEP ALL INFORMATION CONTAINED HEREIN CONFIDENTIAL AND SHALL PROTECT SAME IN WHOLE OR IN PART FROM DISCLOSURE AND DISSEMINATION TO ALL THIRD PARTIES.

|        |           |           |    |
|--------|-----------|-----------|----|
| DATE:  | 09.19.11  | DRAWN BY: | AB |
| PAGE:  | 2 OF 2    | CHKD BY:  | SS |
| SCALE: | NTS       | APRVD BY: | JD |
| UNIT:  | mm [INCH] |           | Ⓟ  |