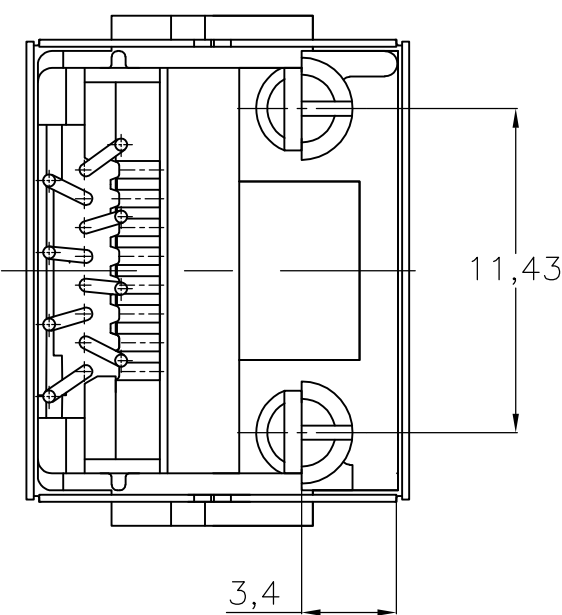
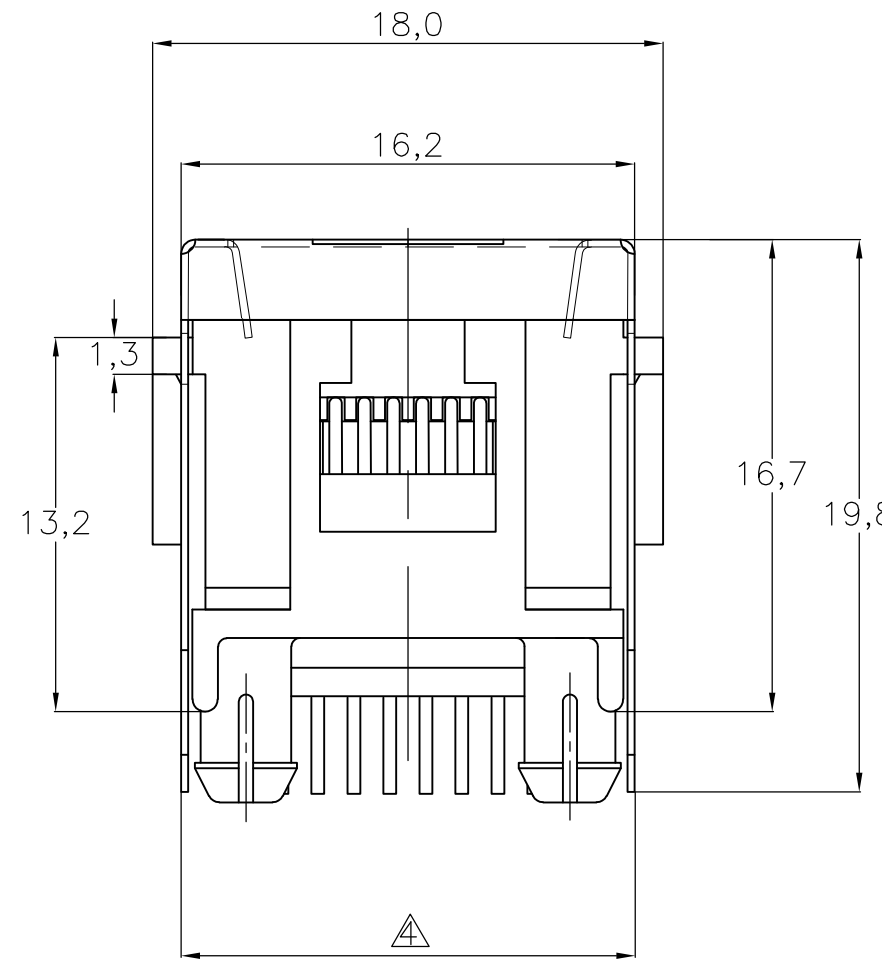
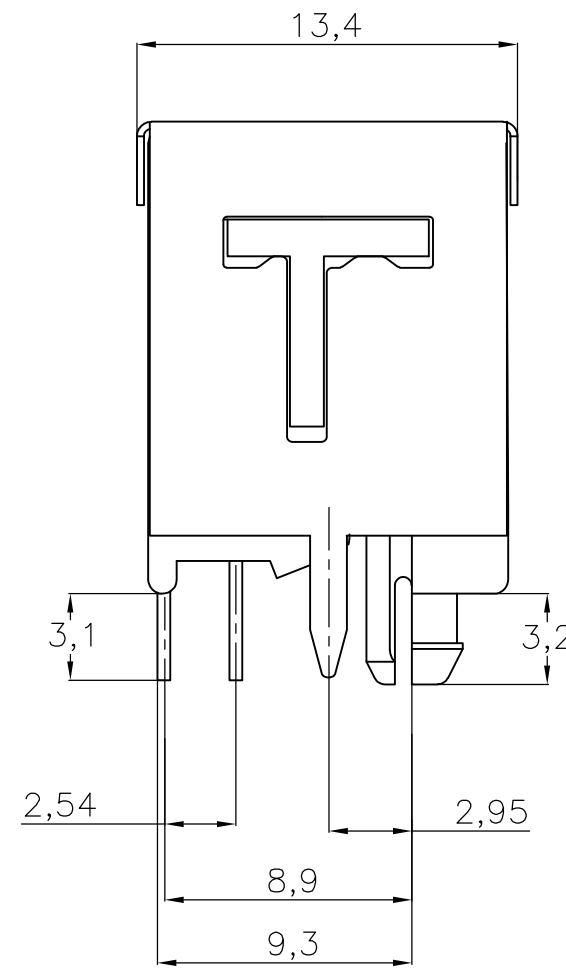
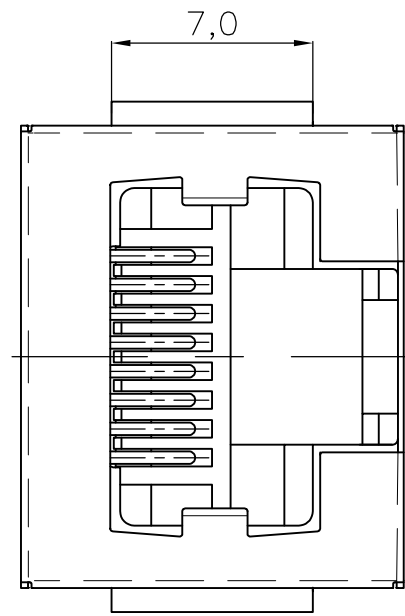
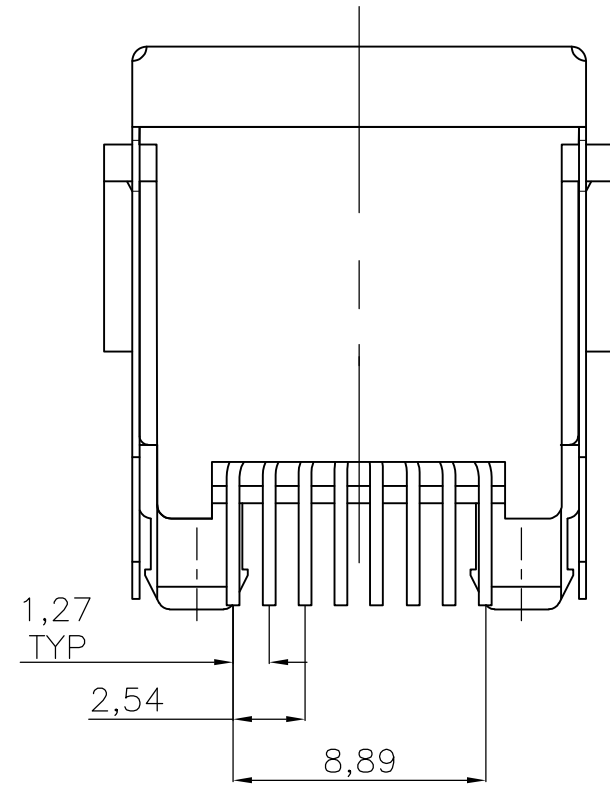


THIS DRAWING IS UNPUBLISHED. RELEASED FOR PUBLICATION
 © COPYRIGHT - By - ALL RIGHTS RESERVED.

LOC	DIST	REVISIONS			
P	LTR	DESCRIPTION	DATE	DWN	APVD
H	-	N1	REVISED PER ECO-11-005294	05APR11	RK HMR

NOTES:

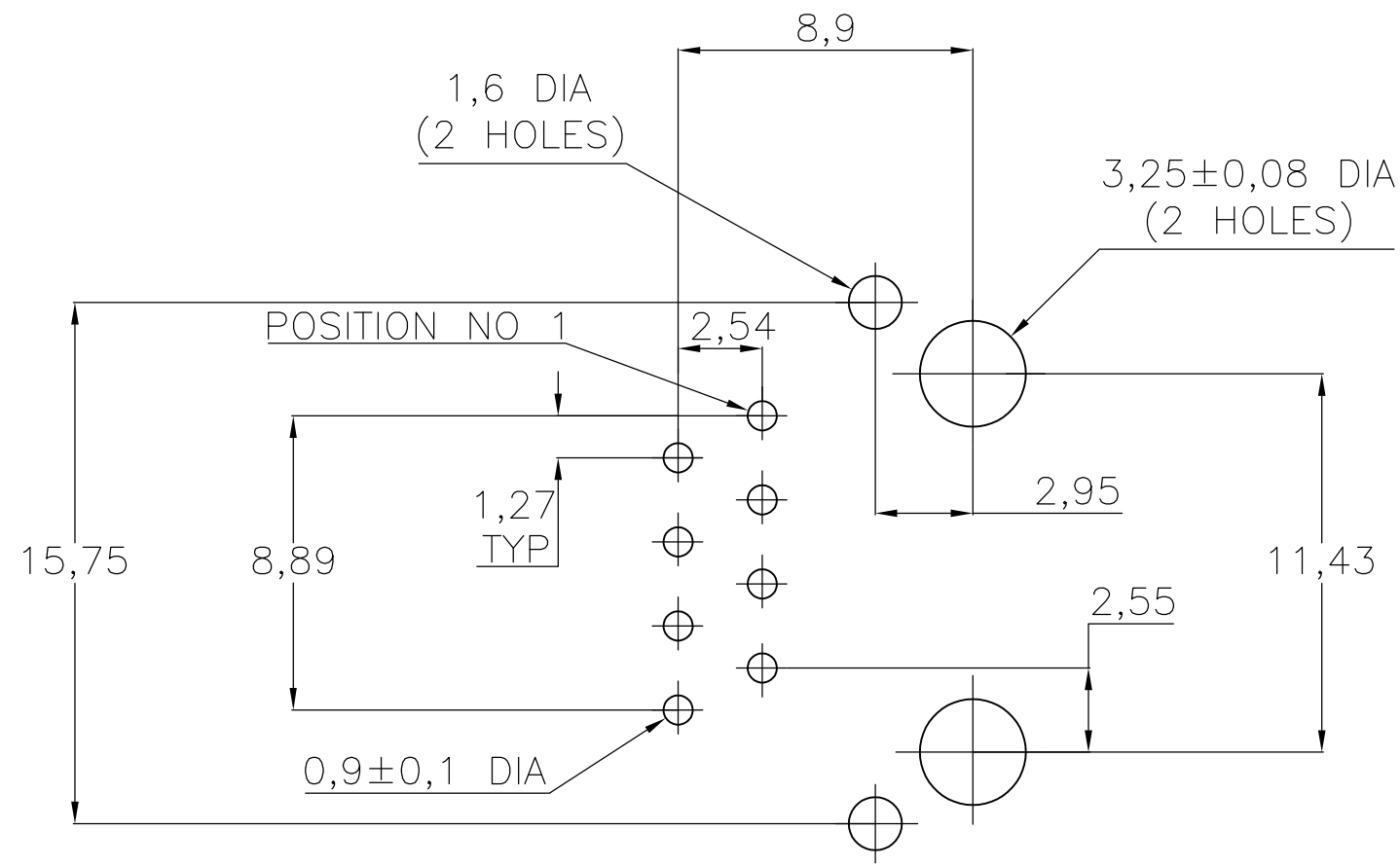
1. TOLERANCES UNLESS OTHERWISE SPECIFIED: ± 0.15 .
2. FOR APPLICATION INFORMATION SEE AMP SPEC. 114-19019.
3. FOR PERFORMANCE REQUIREMENTS SEE AMP SPEC. 108-19064
4. THIS DIMENSION CONCERNING THE GROUNDING TIPS OF THE SHIELD IS NOT GUARANTEED PRIOR TO MOUNTING ON THE PCB



THIS DRAWING IS A CONTROLLED DOCUMENT.		DWN R.HOGEVEEN 03DEC91																										
DIMENSIONS: mm		CHK W.BRUMMANS 30MAR92																										
TOLERANCES UNLESS OTHERWISE SPECIFIED:		APVD L.v.SOEST 01APR92	NAME																									
<table border="1"> <tr><td>0</td><td>PLC</td><td>\pm</td><td>-</td></tr> <tr><td>1</td><td>PLC</td><td>\pm</td><td>-</td></tr> <tr><td>2</td><td>PLC</td><td>\pm</td><td>-</td></tr> <tr><td>3</td><td>PLC</td><td>\pm</td><td>-</td></tr> <tr><td>4</td><td>PLC</td><td>\pm</td><td>-</td></tr> <tr><td></td><td>ANGLES</td><td>\pm</td><td>-</td></tr> </table>		0	PLC	\pm	-	1	PLC	\pm	-	2	PLC	\pm	-	3	PLC	\pm	-	4	PLC	\pm	-		ANGLES	\pm	-	PRODUCT SPEC	MODULAR JACK 8 POS. TOP ENTRY SHIELDED WITH PANEL STOP FOR PRINTED CIRCUIT BOARD	
0	PLC	\pm	-																									
1	PLC	\pm	-																									
2	PLC	\pm	-																									
3	PLC	\pm	-																									
4	PLC	\pm	-																									
	ANGLES	\pm	-																									
MATERIAL SEE TABLE		FINISH SEE TABLE	APPLICATION SPEC	SIZE A2																								
		WEIGHT -	CAGE CODE 00779	DRAWING NO C=100616																								
		CUSTOMER DRAWING	SCALE -	SHEET 1 OF 2																								
			RESTRICTED TO -	REV N1																								

THIS DRAWING IS UNPUBLISHED. RELEASED FOR PUBLICATION
 © COPYRIGHT - By - ALL RIGHTS RESERVED.

LOC		DIST		REVISIONS			
P	LTR	DESCRIPTION	DATE	DWN	APVD		
-	-	SEE SHEET 1	-	-	-		



PRINTED CIRCUIT BOARD LAYOUT
 [VIEW SHOWN IS CIRCUIT (NONCOMPONENT) SIDE OF BOARD.]
 TOLERANCES UNLESS OTHERWISE SPECIFIED: ± 0.05
 PRINTED CIRCUIT BOARD THICKNESS: 1,6 mm NOMINAL.

PACKAGING	REMARKS	FINISH	MATERIAL	PART NUMBER
BLISTER (1080 pcs, IN A BOX)	8 POSITIONS/ 8 CONTACTS,	IN CONTACT AREA : 1,2µm MIN. SEL. GOLD OVER 1,2µm MIN. NICKEL	HOUSING: PBT,UL 94-V0 COLOR: BLACK CONTACTS: PHOSPHOR BRONZE SHIELD:PHOSPHOR BRONZE PRE-PLATED BRIGHT TIN	100616-2
		SOLDER TINES : 2,0µm MIN. TIN OVER 1,2µm MIN. NICKEL	HOUSING: PBT,UL 94-HB COLOR: BLACK CONTACTS: PHOSPHOR BRONZE SHIELD:PHOSPHOR BRONZE PRE-PLATED BRIGHT TIN	100616-1

THIS DRAWING IS A CONTROLLED DOCUMENT.		DWN R.HOGEVEEN 03DEC91	STE TE Connectivity	
DIMENSIONS: mm		CHK W.BRUMMANS 30MAR92		
TOLERANCES UNLESS OTHERWISE SPECIFIED:		APVD L.v.SOEST 01APR92	NAME MODULAR JACK 8 POS. TOP ENTRY SHIELDED WITH PANEL STOP FOR PRINTED CIRCUIT BOARD	
0 PLC ± - 1 PLC ± - 2 PLC ± - 3 PLC ± - 4 PLC ± - ANGLES ± -		PRODUCT SPEC APPLICATION SPEC	SIZE A2	CAGE CODE 00779
MATERIAL SEE TABLE		FINISH SEE TABLE	DRAWING NO C=100616	RESTRICTED TO -
		WEIGHT -	SCALE -	SHEET 2 OF 2
		CUSTOMER DRAWING	REV N1	