

QUINT-ORING/24DC/2X20/1X40


Order No.: 2320186



<http://eshop.phoenixcontact.co.uk/phoenix/treeViewClick.do?UID=2320186>

Active redundancy module with ACB technology and monitoring functions



Commercial data	
EAN	 4 046356 524919
Pack	1
Customs tariff	85044082
Country of Origin	CN
Catalog page information	Page 626 (IF-2011)

Product notes

WEEE/RoHS-compliant since:
26/08/2009



Please note that the data given here has been taken from the online catalog. For comprehensive information and data, please refer to the user documentation at <http://www.download.phoenixcontact.com>. The General Terms and Conditions of Use apply to Internet downloads.

Technical data

Input data

Nominal input voltage	24 V DC
DC input voltage range	18 V DC ... 28 V DC (SELV)
Type of protection	Protection against static surge voltages > 35 V
Nominal input current I_N	2x 20 A (-25 °C ... 60 °C) 1x 40 A (-25 °C ... 60 °C)

Maximum current I_{max}	2x 26 A (-25°C ... 40°C)
	1x 52 A (-25°C ... 40°C)

Output data

Nominal output voltage	0.2 V (< DC input)
Output current	40 A (Increasing power)
	20 A (Redundancy)
Derating	60 °C ... 70 °C (2.5%/K)
Power loss nominal load max.	4 W ($I_{OUT} = 20$ A)

General data

Width	38 mm
Height	130 mm
Depth	125 mm
Net weight	0.6 kg
Efficiency	> 98 %
Degree of protection	IP20
Protection class	III
MTBF (IEC 61709, SN 29500)	> 500000 h
Ambient temperature (operation)	-25 °C ... 70 °C (> 60 °C derating)
Ambient temperature (storage/transport)	-40 °C ... 85 °C
Max. permissible relative humidity (operation)	≤ 95 % (at 25 °C, no condensation)
Mounting position	horizontal DIN rail NS 35, EN 60715
Assembly instructions	Can be aligned: 5 mm horizontally, 15 mm next to active components, 5 cm vertically
Electromagnetic compatibility	Conformance with EMC Directive 2004/108/EC
Low Voltage Directive	Conformance with Low Voltage Directive 2006/95/EC
Standard – Electrical equipment of machines	EN 60204
Standard - Electrical safety	EN 60950-1/VDE 0805 (SELV)
Standard – Electronic equipment for use in electrical power installations and their assembly into electrical power installations	EN 50178/VDE 0160 (PELV)
Standard – Safety extra-low voltage	IEC 60950-1 (SELV) and EN 60204 (PELV)
UL approvals	UL/C-UL listed UL 508
	UL/C-UL Recognized UL 60950

Connection data, input

Connection method	Screw connection
-------------------	------------------

Conductor cross section solid min.	0.2 mm ²
Conductor cross section solid max.	6 mm ²
Conductor cross section stranded min.	0.2 mm ²
Conductor cross section stranded max.	4 mm ²
Conductor cross section AWG/kcmil min.	10
Conductor cross section AWG/kcmil max	10
Stripping length	8 mm
Screw thread	M3

Connection data, output

Connection method	Screw connection
Conductor cross section solid min.	0.5 mm ²
Conductor cross section solid max.	16 mm ²
Conductor cross section stranded min.	0.5 mm ²
Conductor cross section stranded max.	16 mm ²
Conductor cross section AWG/kcmil min.	6
Conductor cross section AWG/kcmil max	6
Stripping length	10 mm

Signaling

Output name	Redundancy OK, 13/14
Output description	Group contact
Maximum switching voltage	max 30 V AC/DC
Maximum inrush current	≤ 100 mA (short-circuit resistant)
Status display	LED redundancy OK
Note on status display	Green
Conductor cross section solid min.	0.2 mm ²
Conductor cross section solid max.	6 mm ²
Conductor cross section stranded min.	0.2 mm ²
Conductor cross section stranded max.	4 mm ²
Conductor cross section AWG/kcmil min.	24
Conductor cross section AWG/kcmil max	10
Tightening torque, min	0.5 Nm
Tightening torque max	0.6 Nm
Screw thread	M3
Output name	ACB (Auto Current Balancing) OK, 23/24

Output description	Contact closed: $\Delta U_{IN} \leq 300 \text{ mV}$
Maximum switching voltage	max 30 V AC/DC
Maximum inrush current	$\leq 100 \text{ mA}$ (short-circuit resistant)
Status display	ACB OK LED
Note on status display	LED bar graph green

Certificates

Certification	CUL, CUL Listed, UL, UL Listed
Certification Ex:	CUL-EX LIS, UL-EX LIS
Certifications applied for:	IECEX

Accessories

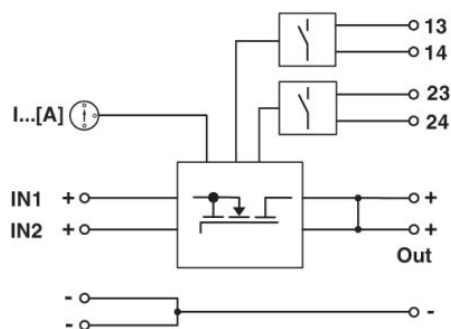
Item	Designation	Description
------	-------------	-------------

General

2938196	QUINT-PS-ADAPTERS7/1	Assembly adapter for QUINT-PS... power supply on S7-300 rail
2320089	UTA 107/30	Universal DIN rail adapter
2938235	UWA 182/52	Universal wall adapter

Drawings

Block diagram



Address

PHOENIX CONTACT Ltd
Halesfield 13
Telford / Shropshire / TF7 4PG,England
Phone 01952 681 700
Fax 01952 681 799
<http://www.phoenixcontact.co.uk>



Phoenix Contact Ltd.
Technical modifications reserved;