

UT 16

Order No.: 3044199




<http://eshop.phoenixcontact.de/phoenix/treeViewClick.do?UID=3044199>

Feed-through modular terminal block, Connection method: Screw connection, Cross section: 1.5 mm² - 25 mm², AWG 16 - 4, Width: 12.2 mm, Color: gray, Mounting type: NS 35/7.5, NS 35/15



Commercial data

| | |
|--------------------------|--------------------------------------------------------------------------------------------------------|
| GTIN (EAN) |  4 017918 977535 |
| sales group | A800 |
| Pack | 50 pcs. |
| Customs tariff | 85369010 |
| Catalog page information | Page 28 (CL1-2011) |

Product notes

WEEE/RoHS-compliant since:
05/09/2005



<http://www.download.phoenixcontact.com>
Please note that the data given here has been taken from the online catalog. For comprehensive information and data, please refer to the user documentation. The General Terms and Conditions of Use apply to Internet downloads.

Technical data

General

| | |
|-----------------------|------|
| Number of levels | 1 |
| Number of connections | 2 |
| Color | gray |

| | |
|-----------------------------------------|----|
| Insulating material | PA |
| Inflammability class according to UL 94 | V0 |

Dimensions

| | |
|------------------|---------|
| Width | 12.2 mm |
| Length | 55.5 mm |
| Height NS 35/7.5 | 55 mm |
| Height NS 35/15 | 62.5 mm |

Technical data

| | |
|----------------------------------|---------------------------------------------------------|
| Maximum load current | 101 A (with 25 mm ² conductor cross section) |
| Rated surge voltage | 8 kV |
| Pollution degree | 3 |
| Surge voltage category | III |
| Insulating material group | I |
| Connection in acc. with standard | IEC 60947-7-1 |
| Nominal current I _N | 76 A |
| Nominal voltage U _N | 1000 V |
| Open side panel | ja |

Connection data

| | |
|----------------------------------------------------------------------------|------------------------------------------------------------------------------------------------------------------------------|
| Note | Note: Product releases, connection cross sections and notes on connecting aluminum cables can be found in the download area. |
| Conductor cross section solid min. | 1.5 mm ² |
| Conductor cross section solid max. | 25 mm ² |
| Conductor cross section stranded min. | 1.5 mm ² |
| Conductor cross section stranded max. | 25 mm ² |
| Conductor cross section AWG/kcmil min. | 16 |
| Conductor cross section AWG/kcmil max | 4 |
| Conductor cross section stranded, with ferrule without plastic sleeve min. | 1 mm ² |
| Conductor cross section stranded, with ferrule without plastic sleeve max. | 16 mm ² |
| Conductor cross section stranded, with ferrule with plastic sleeve min. | 1 mm ² |
| Conductor cross section stranded, with ferrule with plastic sleeve max. | 16 mm ² |
| 2 conductors with same cross section, solid min. | 1 mm ² |
| 2 conductors with same cross section, solid max. | 6 mm ² |

| | |
|-----------------------------------------------------------------------------------------|----------------------|
| 2 conductors with same cross section, stranded min. | 1 mm ² |
| 2 conductors with same cross section, stranded max. | 6 mm ² |
| 2 conductors with same cross section, stranded, TWIN ferrules with plastic sleeve, min. | 0.75 mm ² |
| 2 conductors with same cross section, stranded, TWIN ferrules with plastic sleeve, max. | 10 mm ² |
| 2 conductors with same cross section, stranded, ferrules without plastic sleeve, min. | 1 mm ² |
| 2 conductors with same cross section, stranded, ferrules without plastic sleeve, max. | 6 mm ² |
| Connection method | Screw connection |
| Stripping length | 14 mm |
| Internal cylindrical gage | A7 |
| Screw thread | M5 |
| Tightening torque, min | 2.5 Nm |
| Tightening torque max | 3 Nm |

Certificates / Approvals



Certification

CB, CSA, CUL, GL, RS, UL, VDE-PZI

Certification Ex:

IECEX, KEMA-EX

Accessories

| Item | Designation | Description |
|-----------------|-----------------------------|--------------------------------------------------------------------------------------------------------------------------------|
| Assembly | | |
| 3047206 | D-UT 16 | End cover, Length: 52.8 mm, Width: 2.2 mm, Height: 47.3 mm, Color: gray |
| 0801762 | NS 35/ 7,5 CU UNPERF 2000MM | DIN rail, material: Copper, unperforated, height 7.5 mm, width 35 mm, length: 2 m |
| 1207640 | NS 35/ 7,5 PERF 755MM | DIN rail, material: steel galvanized and passivated with a thick layer, perforated, height 7.5 mm, width 35 mm, length: 755 mm |

| | | |
|---------|----------------------------|---------------------------------------------------------------------------------------------------------------------------------|
| 1207653 | NS 35/ 7,5 PERF 955MM | DIN rail, material: steel galvanized and passivated with a thick layer, perforated, height 7.5 mm, width 35 mm, length: 955 mm |
| 1207666 | NS 35/ 7,5 PERF 1155MM | NS 35 DIN rail, height 7.5 mm, length 1155 mm |
| 0801733 | NS 35/ 7,5 PERF 2000MM | DIN rail, material: steel galvanized and passivated with a thick layer, perforated, height 7.5 mm, width 35 mm, length: 2000 mm |
| 0801681 | NS 35/ 7,5 UNPERF 2000MM | DIN rail, material: Steel, unperforated, height 7.5 mm, width 35 mm, length: 2 m |
| 1201756 | NS 35/15 AL UNPERF 2000MM | DIN rail, deep drawn, high profile, unperforated, 1.5 mm thick, material: aluminum, height 15 mm, width 35 mm, length 2000 mm |
| 1201895 | NS 35/15 CU UNPERF 2000MM | DIN rail, material: Copper, unperforated, 1.5 mm thick, height 15 mm, width 35 mm, length: 2 m |
| 1207679 | NS 35/15 PERF 755MM | DIN rail, material: steel galvanized and passivated with a thick layer, perforated, height 15 mm, width 35 mm, length: 755 mm |
| 1207682 | NS 35/15 PERF 955MM | DIN rail, material: steel galvanized and passivated with a thick layer, perforated, height 15 mm, width 35 mm, length: 955 mm |
| 1207695 | NS 35/15 PERF 1155MM | DIN rail, material: steel galvanized and passivated with a thick layer, perforated, height 15 mm, width 35 mm, length: 1155 mm |
| 1201730 | NS 35/15 PERF 2000MM | DIN rail, material: steel galvanized and passivated with a thick layer, perforated, height 15 mm, width 35 mm, length: 2000 mm |
| 1201714 | NS 35/15 UNPERF 2000MM | DIN rail, material: Steel, unperforated, height 15 mm, width 35 mm, length: 2 m |
| 1201798 | NS 35/15-2,3 UNPERF 2000MM | DIN rail, material: Steel, unperforated, 2.3 mm thick, height 15 mm, width 35 mm, length: 2 m |
| 0706647 | TPNS-UK | Separating plate, Length: 80 mm, Width: 2 mm, Height: 70 mm, Color: gray |

Bridges

| | | |
|---------|--------------------|-----------------------------------------------------|
| 3005950 | FBS 2-12 | Plug-in bridge, Number of positions: 2, Color: red |
| 3047073 | RB UT 16-(2,5/4) | Reducing bridge, Number of positions: 2, Color: red |
| 3047099 | RB UT 16-ST(2,5/4) | Reducing bridge, Number of positions: 2, Color: red |

General

| | | |
|---------|---------------------------|----------------------------------------------------------------------------------------------------------------------------------------------------------------------------------------------------------------------------------------------------------------------------------------------------------------|
| 3047125 | AGK 4-UT 16 | Pick-off terminal block, Connection method: Screw connection, Cross section: 1.5 mm ² - 25 mm ² , AWG 16 - 4, Width: 8.2 mm, Height: 34.7 mm, Color: gray, Mounting type: On base element |
| 5146040 | CLIP-PROJECT ADVANCED | Multilingual software for easy planning of Phoenix Contact on DIN rails together with the integrated TRABTECH-select software module for planning comprehensive surge protection concepts. |
| 5146053 | CLIP-PROJECT PROFESSIONAL | Multi-lingual software for terminal strip project planning. A marking module allows professional labeling of markers and labels for marking terminal blocks, conductors, cables and devices. The additionally integrated software module TRABTECH-select for planning comprehensive surge protection concepts. |

Marking

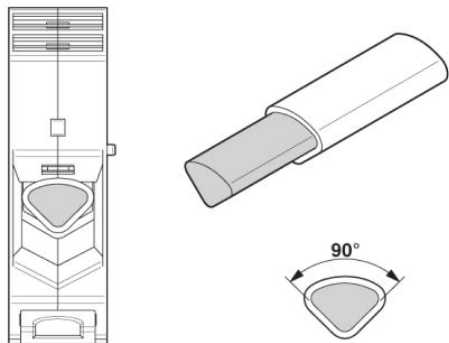
| | | |
|---------|------------------------|-----------------------------------------------------------------------------------------------------------------------------------------------------------------------------------------------------|
| 3047374 | WS UT 16 | Warning sign for UT terminal blocks |
| 0811228 | X-PEN 0,35 | Marker pen without ink cartridge, for manual labeling of markers, labeling extremely wipe-proof, line thickness 0.35 mm |
| 1053001 | ZB 10:UNBEDRUCKT | Zack strip, unprinted: 10-section, for individual labeling with M-PEN, ZB-T or CMS system, sufficient for 100 terminal blocks, for a terminal width of 10.2 mm, color: White |
| 1053014 | ZB10,LGS:FORTL.ZAHLEN | Zack strip, 10-section, printed horizontally: with the numbers, 1-10, 11-20 etc. up to 991-1000, color: white |
| 5060883 | ZB10/WH-100:UNBEDRUCKT | Zack strip, unprinted: 10-section, for individual labeling with M-PEN, ZB-T or CMS system, large batch, sufficient for labeling 1000 terminal blocks, for a terminal width of 10.2 mm, color: White |
| 1050525 | ZB10:SO/CMS | Zack strip, 10-section, divisible, special printing, marking according to customer requirements |

Diagrams/Drawings

Circuit diagram



Schematic diagram



Connecting aluminum cables. Further notes can be found in the download area

UT 16 Order No.: 3044199

<http://eshop.phoenixcontact.de/phoenix/treeViewClick.do?UID=3044199>

Address

PHOENIX CONTACT Deutschland GmbH
Flachmarktstr. 8
32825 Blomberg, Germany
Phone +49 5235 3 12000
Fax +49 5235 3 41200
<http://www.phoenixcontact.de>



© 2011 Phoenix Contact
Technical modifications reserved;