

Large Flat Screen Wall Mount with Tilt and Swivel

For more information please visit www.btechavmounts.com/BTV511

BTV511

Registered Design Number: 001713280-0023



BTV511

Large Flat Screen Wall Mount with Tilt and Swivel

**Designed for screens up to 52" (132cm)
/ 50kg (110lbs)**

- Fits screens with mounting patterns up to:
H: 430mm (16.9") x V: 400mm (15.7") including
VESA® patterns up to 400 x 400mm
- 5 fixed tilt positions up to +15°
- Mounts screen only 44mm (1.73") from wall
- Includes locking bar for secure installation
- Suitable for concrete, brick or stud walls up to 16"
- Post-installation screen alignment
- Simple hook-on installation with all mounting
hardware included
- Available in Black

VESA
400

52"
132cm

50kg
(110lbs)

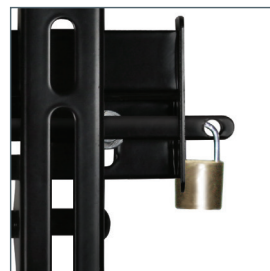
15°



Low profile design mounts screen
only 44mm (0.8") from wall



5 fixed tilt positions up to +15°



Locking bar for secure installation*



Easy to install in any home

*Padlock not included

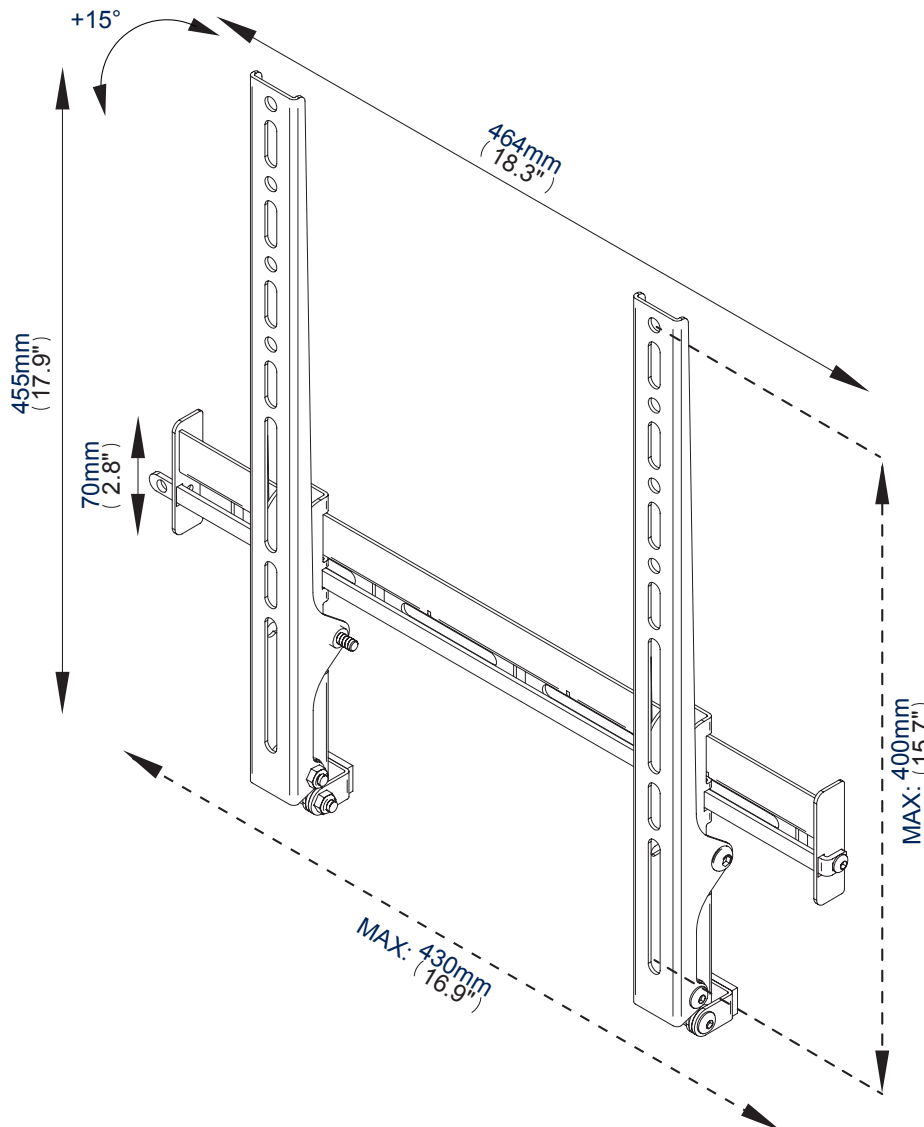
SS-BTV511-V1-021111 Page 1 of 2

Large Flat Screen Wall Mount with Tilt and Swivel

For more information please visit www.btechavmounts.com/BTV511

BTV511

Registered Design Number: 001713280-0023



Colour:	Order Ref:	EAN Code:	Master Carton Qty:	Inner Carton Qty:	Master Carton Weight:	Master Carton Cube:
Black	BTV511/B	5019318440090	6	N/A	14.55kg (32.08lbs)	0.034cbm (1.186cuft)

**This information is intended as a guide only and reflects the current specification at the time of print.
B-Tech accepts no liability for the accuracy of the information contained in this document.**