

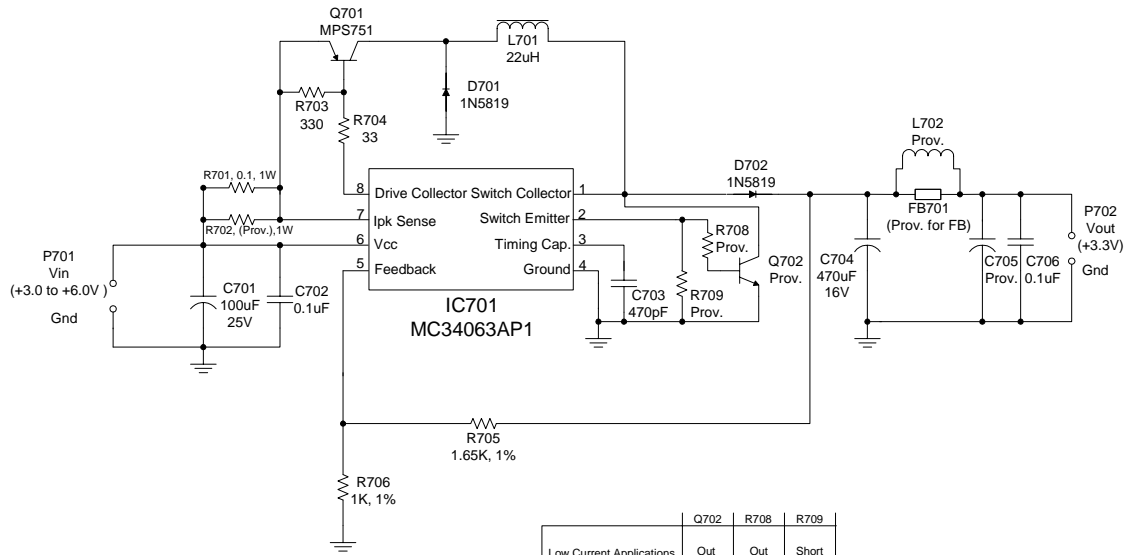
Schematic for the MC34063 Buck-Boost Leded Demonstration Board

ON Semiconductor®



9/9/2003

MC34063 Evaluation Board Design Example Buck/Boost Regulator (3.0V-6.0V to 3.3V@100mA)(Leaded Version)



	Q702	R708	R709
Low Current Applications	Out	Out	Short
High Current Applications	MPS651 TO-92	TBD	TBD