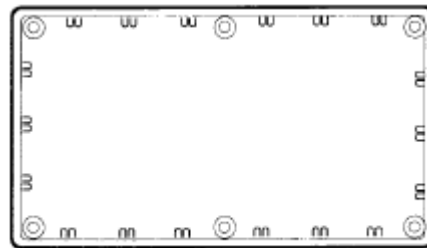
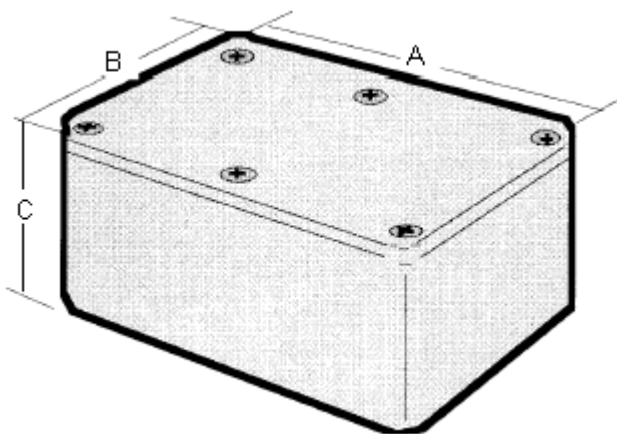
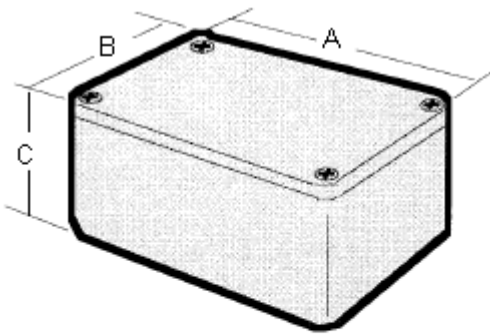


Multipurpose Boxes With Lids



Features :

- The boxes are moulded in ABS to give maximum strength but can be easily punched or drilled for individual requirements and to produce a professional looking end product
- They are available in black, white and light grey as standard but other colours may be available on request show you require to add that individual touch to your products
- All but MB4 have a polished finish
- Printed circuit board slots are provided on certain types to allow ease of manufacture
- The lids are retail by M3.5 countersunk screws into brass inserts



Multipurpose Boxes With Lids



Specifications

Overall Dimensions							Part Number
A	B	C	Nominal Wall Thickness	Colour	Rib Spacing		
					Side A	Side B	
79	61	40	1.5	Black	20	20	MB1
100	76	41					MB2
118	98	45			MB3		
216	130	85	4		20	20	MB4
79	61	40	1.5	White	20	20	MB1W
				Grey			MB1G
100	76	41			MB2G		
118	98	45		MB3G			

Dimensions : Millimetres

Important Notice : This data sheet and its contents (the "Information") belong to the members of the Premier Farnell group of companies (the "Group") or are licensed to it. No licence is granted for the use of it other than for information purposes in connection with the products to which it relates. No licence of any intellectual property rights is granted. The Information is subject to change without notice and replaces all data sheets previously supplied. The Information supplied is believed to be accurate but the Group assumes no responsibility for its accuracy or completeness, any error in or omission from it or for any use made of it. Users of this data sheet should check for themselves the Information and the suitability of the products for their purpose and not make any assumptions based on information included or omitted. Liability for loss or damage resulting from any reliance on the Information or use of it (including liability resulting from negligence or where the Group was aware of the possibility of such loss or damage arising) is excluded. This will not operate to limit or restrict the Group's liability for death or personal injury resulting from its negligence. Multicomp is the registered trademark of the Group. © Premier Farnell plc 2012.