



BU-00000- *
 Part # color

* 0 - Black 5 - Green
 2 - Red 6 - Blue
 4 - Yellow 9 - White

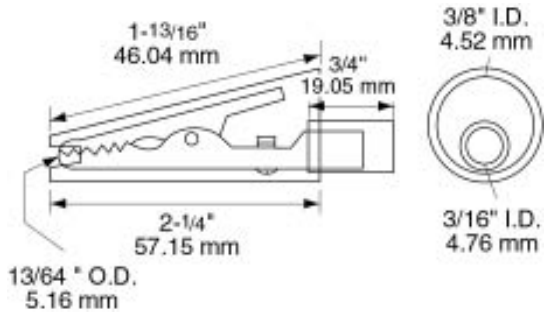
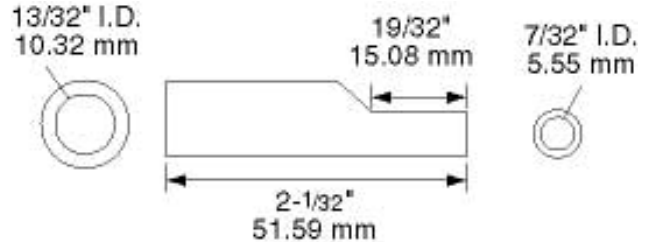
CLIPS & INSULATORS



**BU-62-* Insulator for various Alligator Clip
 - 10 Amps**

Enlarge

- Tough flexible vinyl
- Available in black, red, yellow, green, blue and white
- Use with parts: 60, 60C, 60CS, 60PR2, 60S, 60TBO, 60U, 60X, and 61
- [Product Data Sheet](#)
- [Send us your questions about this product](#)



**Insulated Alligator Clip - 10 Amp
 BU-63 (Steel) BU-63C (Solid Copper)**

- Skin tight, two piece, flexible vinyl insulator
- Available in black, red, yellow, green, blue and white
- Nose width 0.13"
- [Product Data Sheet](#)
- [Send us your questions about this product](#)



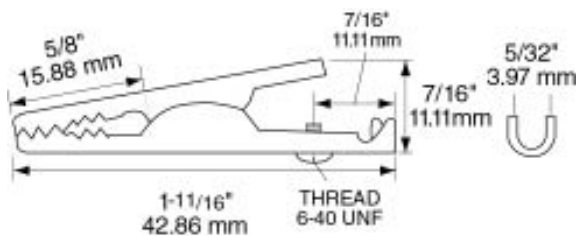
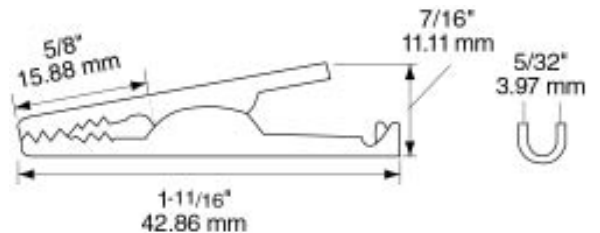
Enlarge



**Alligator Clip with Acetate Handle & Screw - 10 Amp
 BU-70 (Steel 5 Amp)
 BU-70C (Solid Copper 10 Amp)**

Enlarge

- 5/16" (7.9mm) max. jaw opening
- [Product Data Sheet](#)
- [Send us your questions about this product](#)



**Alligator Clip with Screw:
 BU-70S (Steel 5 Amp)
 BU-70CS (Solid Copper 10 Amp)**

- Includes a 6-40 Screw
- Crimp or screw connection
- Federal Spec.: Type TCC-1 W-C-440B (BU-70CS)
- [Product Data Sheet](#)
- [Send us your questions about this product](#)



Enlarge

[Insulated BNCs](#)|[Test Leads](#)|[Insulated Test Accessories](#)
[Accessories & Probes](#)|[Kits](#)|[Cross Reference](#)

©2003 Mueller Electric Company. All rights reserved.
Problems with the site should be reported to the [webmaster](#).