

**MICRO SWITCH**  
a Honeywell Division

FED. MF6. CODE 91929

**ACTUATOR-SWITCH**

CATALOG LISTING

**AD5721R**

ARMY-NAVY PART NO. AN3169-1

CATALOG LISTING  
**AD5721R**

PAGE 1 OF 1

ISSUE  
**M**  
18

REVISIONS  
A CO-82955  
G J W  
29 APR 96

FORMTEK

DRAWN

G J W 29 APR 96

(M) AD5721R

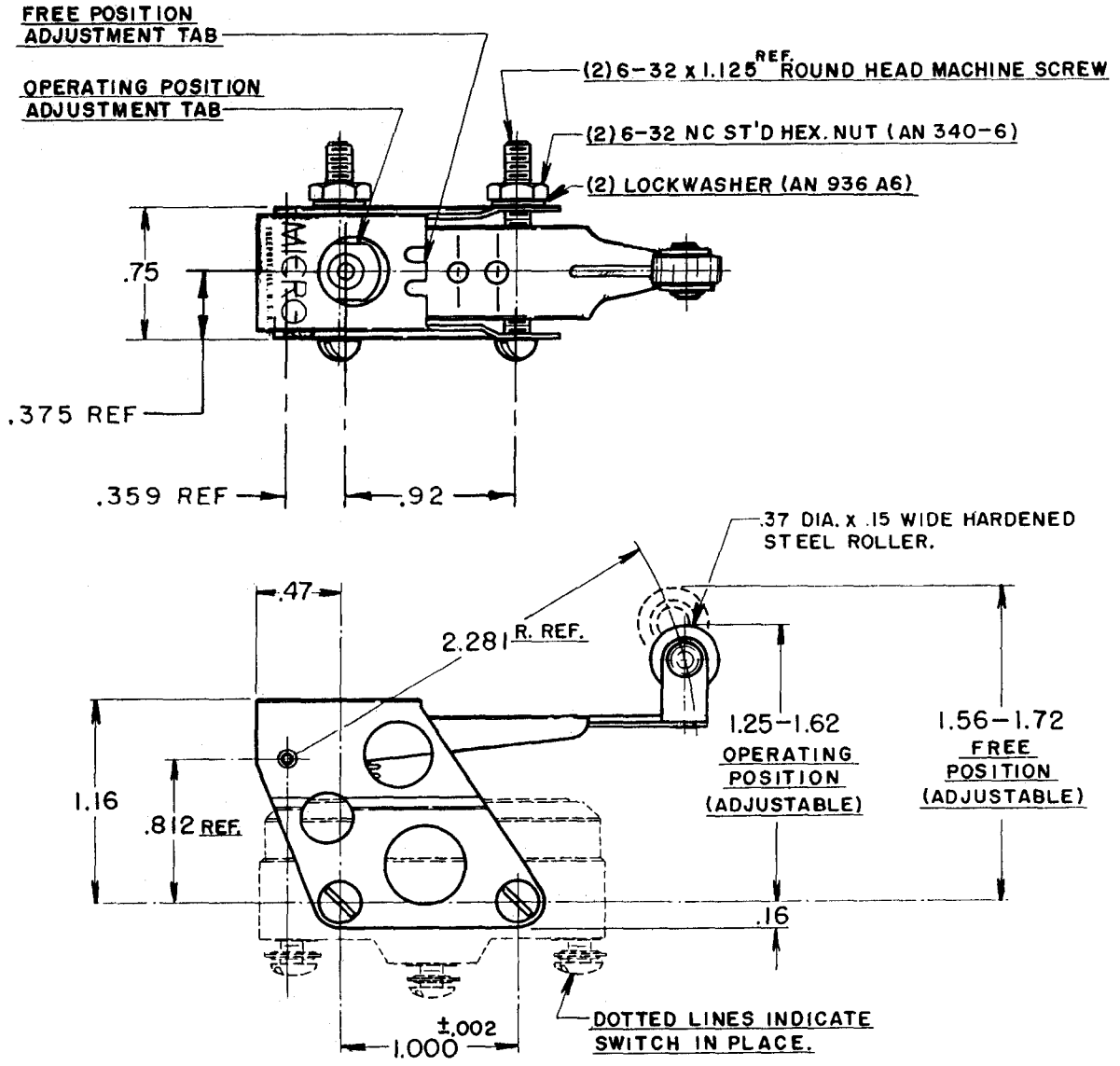
REPLACES ISSUE 10

RELEASE NO.

CHECK

CHECK

CHECK



**NOTE-**  
**1-SCREWS, NUTS, AND LOCKWASHERS FURNISHED UNASSEMBLED.**

THIS DRAWING COVERS A PROPRIETARY ITEM AND IS THE PROPERTY OF MICRO SWITCH, A DIVISION OF HONEYWELL. THIS DRAWING IS NOT TO BE COPIED OR USED WITHOUT THE APPROVAL OF MICRO SWITCH.

THIRD ANGLE PROJECTION

CHARACTERISTICS	ELECTRICAL DATA		SCALE FULL	DO NOT SCALE PRINT
	CONTACT ARRANGEMENT	BREAK DISTANCE	UNLESS OTHERWISE SPECIFIED TOLERANCES ARE	
<b>OVERTRAVEL----- .438 APPROX.</b>			ONE PLACE (.0)	±.030
			TWO PLACE (.00)	±.015
			THREE PLACE (.000)	±.005
			ANGLES	±
			WEIGHT	