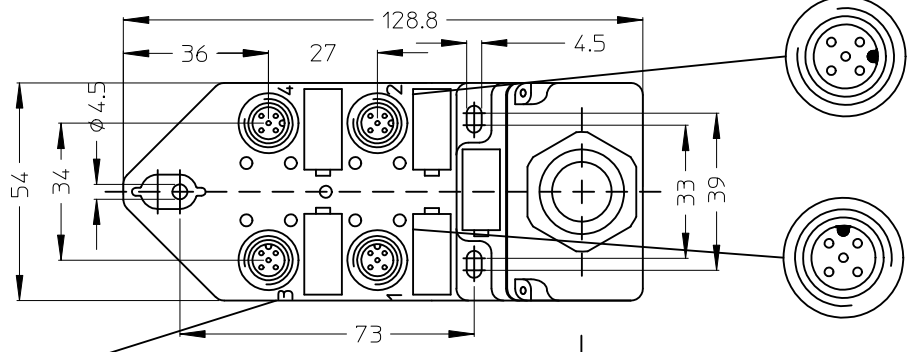
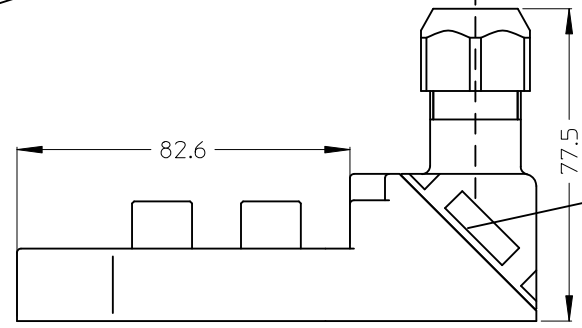


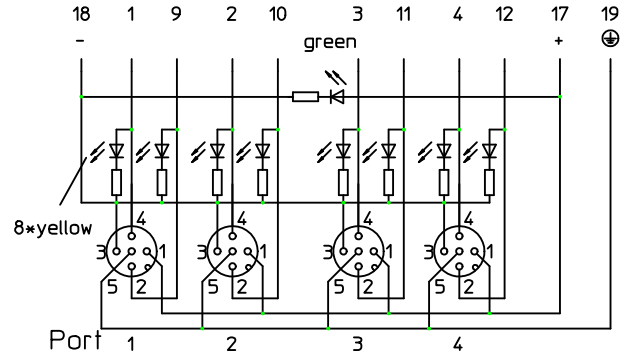
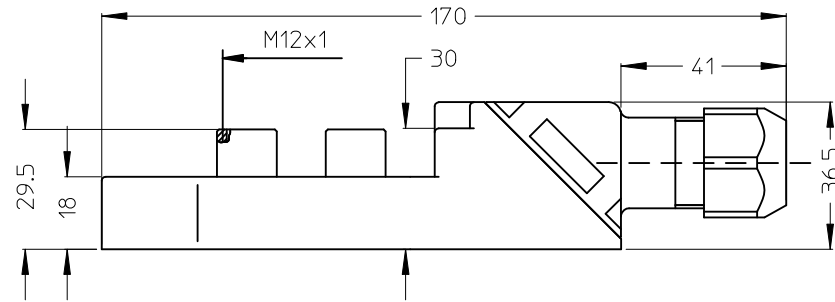
SAP-NUMBER	OLD PART NUMBER
1201190004	BKY403P-FBA



Port No.



cable assembly with terminal block
max. wire gauge: 1mm²
(AWG 18)



Contact configuration	Port	M12 connector Contact-No.	19pol. connector Screw contact-No.
	1	2	9
	1	4	1
	2	2	10
	2	4	2
	3	2	11
	3	4	3
	4	2	12
	4	4	4
	1-4	1	17(-)
	1-4	3	18(-)
1-4	5	19⊕	

CLOSURE CAP

SAP no. 1203090067
QUANTITY 2

VOLTAGE RATING	10 - 30 VDC
AMPERAGE RATING PER PORT	2 A MAX/PORT 6 A MAX. TOTAL
PROTECTION	IP 67
OPERATING TEMPERATURE	-25°C / +90 °C

ITEM	COMPONENT	MATERIAL	FINISH
1	CONTAC SOCKET	BRASS	GOLD OVER NICKEL
2	O-RING	VITON	---
3	RECEPTACLE SHELL	BRASS	NICKEL PLATED
4	HOUSING	PBT	YELLOW
5	LABEL	ABS	WHITE
6	LENS	PA	CLEAR

ENTER DESCRIPTION
EC NO: WEU2010-0322
DRWN: APOHL_WEU 2010/02/02
CHKD: 2010/02/03
APPR: FPACHER 2010/02/03

QUALITY SYMBOLS
▽=0
◻=0

GENERAL TOLERANCES (UNLESS SPECIFIED)

	mm	INCH
4 PLACES	± ---	± ---
3 PLACES	± ---	± ---
2 PLACES	± ---	± ---
1 PLACE	± 0.3	± ---
ANGULAR ± ---°		

DRAFT WHERE APPLICABLE
MUST REMAIN WITHIN DIMENSIONS

DIMENSION STYLE
MM ONLY

DRAWN BY: APOHL_WEU
DATE: 2010/02/02

CHECKED BY: _____
DATE: _____

APPROVED BY: FPACHER
DATE: 2010/02/03

MATERIAL NO. _____

SIZE: **A3**

SCALE: 1:1
DESIGN UNITS: METRIC
THIRD ANGLE PROJECTION

TITLE: **M12U MPIS BOX 4 PORT
5 POL 45 DEGREE I/O**

MOLEX INCORPORATED

DOCUMENT NO. SD-120119-026
SHEET NO. 1 OF 1

THIS DRAWING CONTAINS INFORMATION THAT IS PROPRIETARY TO MOLEX INCORPORATED AND SHOULD NOT BE USED WITHOUT WRITTEN PERMISSION