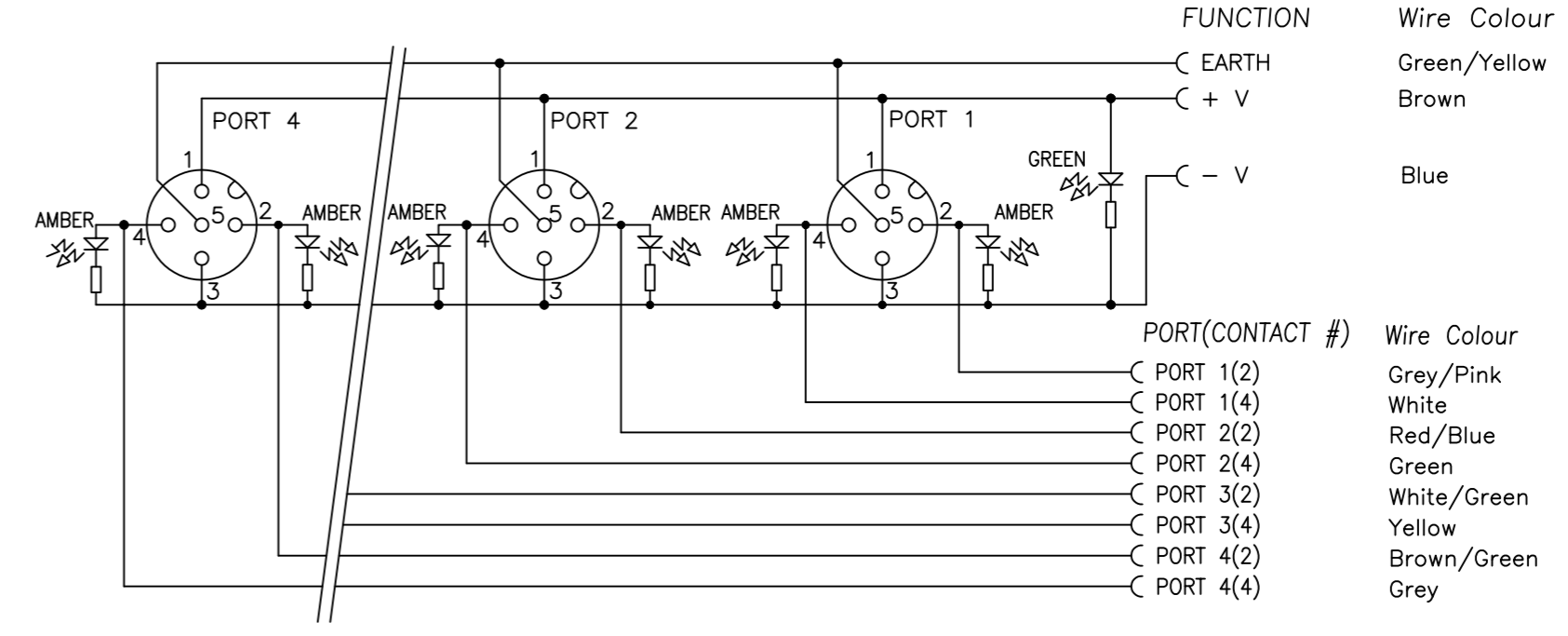
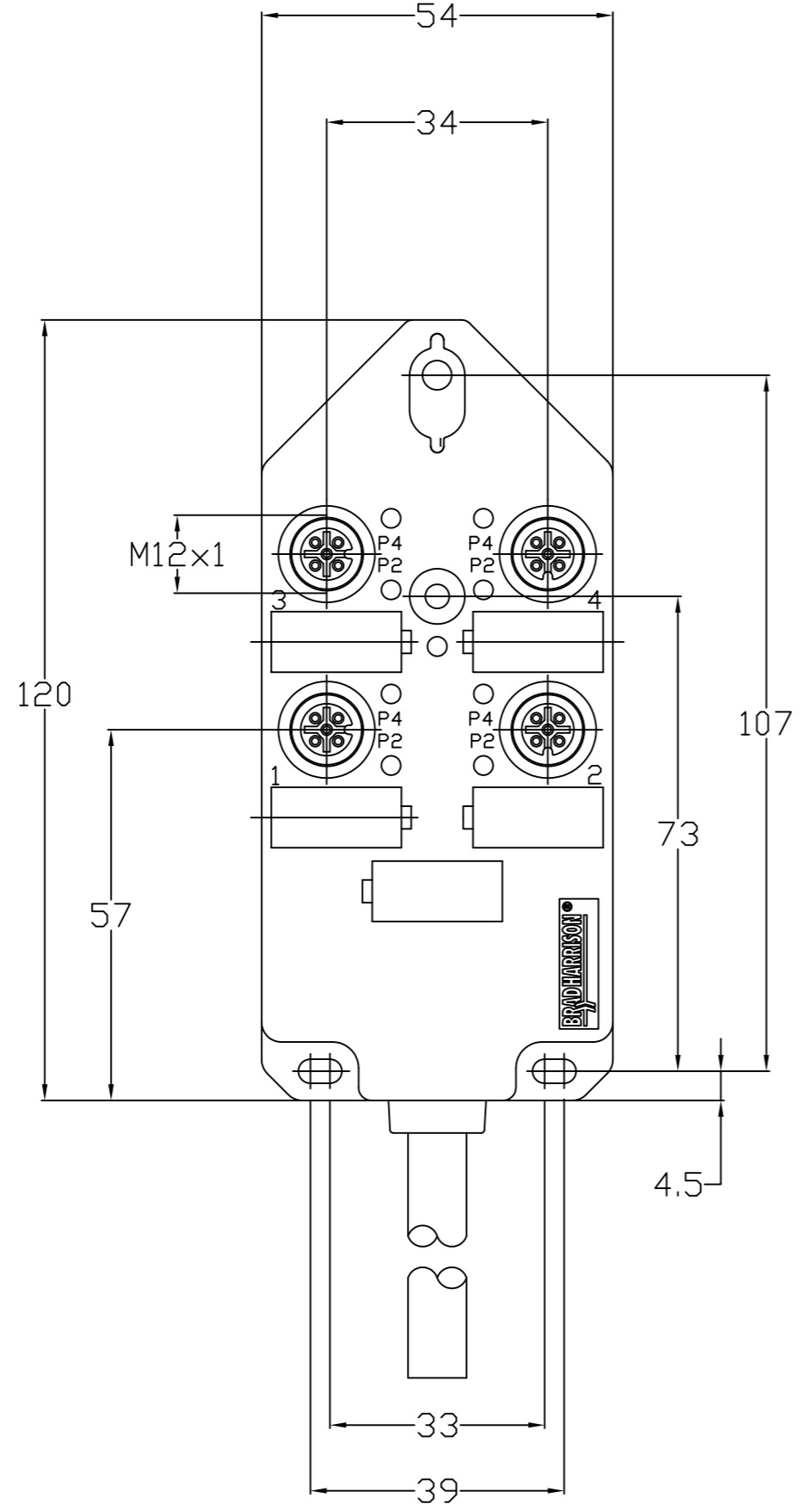
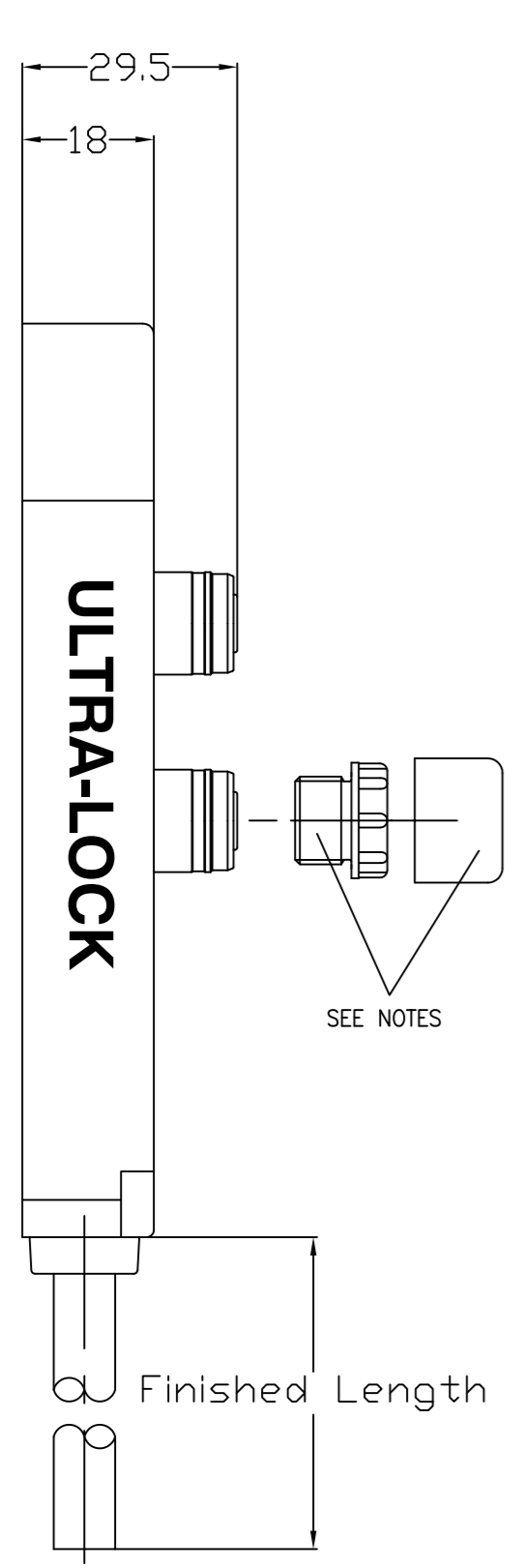


SAP-Nummer	alte Artikel-Nr.	Beschreibung	Farbe	Länge in mm
SAP-NUMBER	OLD ENGINEERING-No.	DESCRIPTION	COLOR	FINISHED LENGTH in mm
1201190007	BKY405P-FBP-05	ULTRA-MPIS-4W-8I/O-5M-PUR	gelb/YELLOW	5000 ±50
1201148026	BKY405P-FBP-10	ULTRA-MPIS-4W-8I/O-10M-PUR	gelb/YELLOW	10000 ±50
1201190035	BKY405P-FBP-15	ULTRA-MPIS-4W-8I/O-15M-PUR	gelb/YELLOW	15000 ±50



SPECIFICATION
MATERIALS:
HOUSING & INSERT: PBT
COUPLING: BRASS-NICKEL PLATED
O-RING: VITON
ELECTRICAL:
VOLTAGE: 10-30VDC
CURRENT RATING: 4A PER PORT, 12 AMPS MAX.
PROTECTION CLASS: IP68

NOTES:
THREADED PLUG FITTED TO PORTS 1 & 2 ONLY
PROTECTION CAP FITTED TO ALL M12 PORTS
FIXING HOLES TO SUIT M4 SCREWS

DESCRIPTION EC NO: WEU2010-0377 DRWN: BBRAUCH CHKD: APOHL APPR: REISSNER	18.02.10 2010/02/24	QUALITY SYMBOLS ▽ = 0 ∇ = 0	GENERAL TOLERANCES (UNLESS SPECIFIED)		DIMENSION STYLE		SCALE	DESIGN UNITS	THIRD ANGLE PROJECTION	
			mm	INCH	MM		1:1	METRIC		
REV 2	DESCRIPTION	DRAFT WHERE APPLICABLE MUST REMAIN WITHIN DIMENSIONS	4 PLACES ±---	±---	DRAWN BY	DATE	ULTRA-MPIS-4W-8I/O-XM -PUR ----			
			3 PLACES ±---	±---	BBRAUCH	2009/11/04				
			2 PLACES ±0.05	±---	CHECKED BY	DATE	MOLEX INCORPORATED			
			1 PLACE ±0.10	±---	APOHL	2009/11/05				
			ANGULAR ± --- °		APPROVED BY	DATE	SD-120119-012			
			DRAFT WHERE APPLICABLE MUST REMAIN WITHIN DIMENSIONS		REISSNER	2010/02/24				
					MATERIAL NO.		DOCUMENT NO.		SHEET NO.	
					see table				1 OF 1	
					SIZE A2	THIS DRAWING CONTAINS INFORMATION THAT IS PROPRIETARY TO MOLEX INCORPORATED AND SHOULD NOT BE USED WITHOUT WRITTEN PERMISSION				