

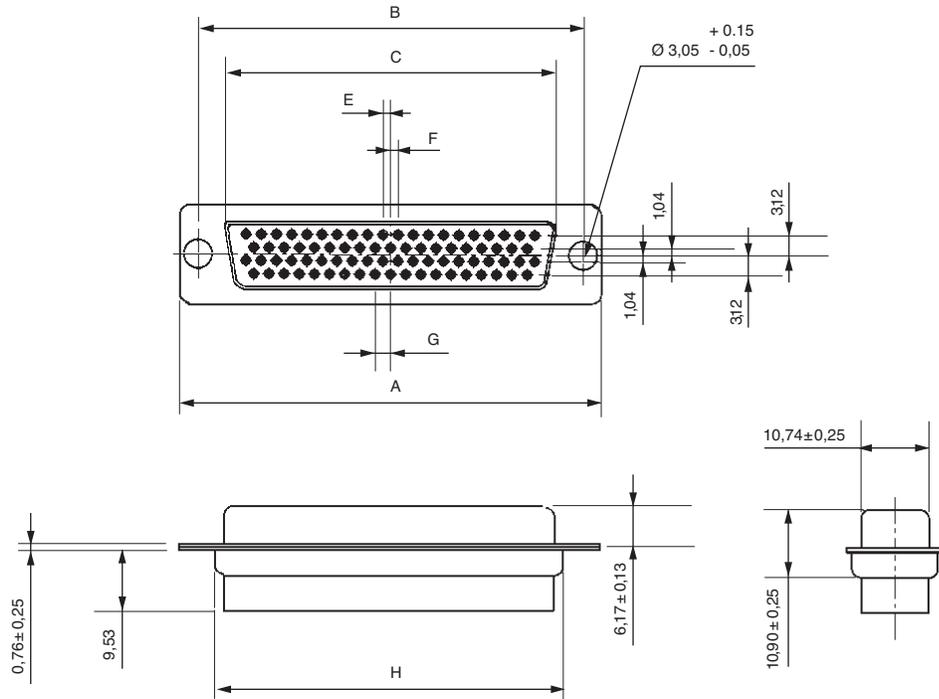
Receptacle 78 contacts



**Designation**

Shell size / Arrangement	Through hole	Captive nut thread 4-40	Screwlock thread 4-40
D / 78	ZDDA78S-FO	ZDDAE78S-FO	ZDDAE78S-AB-FO

Connectors supplied without contacts



Shell	A ± 0,38	B ± 0,13	C ± 0,25	E	F	G ± 0,05	H ± 0,25
D	66,93	61,11	52,43	1,21	1,21	2,41	55,32

- Reeled contacts, page 34
- Mounting options, page 38
- Panel cutout, page 39
- Accessories, page 33