

## Plastic connector with metal coupling system

### Description

“UTG” Metalok Bantam plastic industrial circular connectors with metal coupling are a range of multiway connectors to provide the complete answer to the need for lightweight, robust circular connectors. They are available in 8 shell sizes, 11 insert arrangements **all interchangeable, interchangeable and intermountable** with the Trim-Trio “UT0” and “UTP” industrial connector families.

### Features and benefits

- Available in 8 shell sizes and 11 insert arrangements incl. 3 VDE versions.
- Available in plug and receptacle versions for both male and female contacts.
- Connectors and accessories are moulded from highly durable glass-filled thermoplastic.
- Flammability rating: UL94-V0.
- UL approved-file Nr.: E31151
- Metal bayonet ring:
  - Metal wave spring loaded.
  - Locks with audible positive “click”
  - Assures 500 matings and unmatings



### Performance characteristics

|                        |                            |
|------------------------|----------------------------|
| Operating temperature: | -55°C to +125°C            |
| Insulation resistance: | 5000 MΩ min.               |
| Test potential:        | 2000 VAC                   |
| Durability:            | 500 matings and unmatings. |
| Vibration resistance:  | Per MIL-STD202 method 204  |
| Thermal shock:         | Per MIL-STD202 method 207  |

### Construction

|                  |                                  |
|------------------|----------------------------------|
| Connector body   | Glass filled thermoplast UL94-V0 |
|                  | Colour: black                    |
| Coupling ring:   | Nickel plated brass              |
| Tri-lock pins:   | Stainless steel                  |
| Coupling spring: | Spring steel                     |

### Contact accommodation

- “UTG” connectors accept Trim-Trio removable snap-lock contacts (see contact section)
- Contacts to be ordered separately.

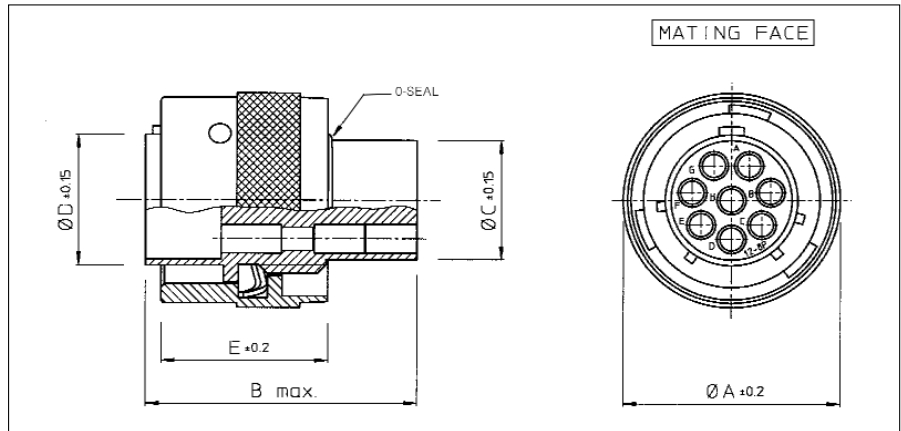
### How to order

|                            |   |          |           |           |          |          |          |           |
|----------------------------|---|----------|-----------|-----------|----------|----------|----------|-----------|
| <b>Connector family :</b>  | <b>UTG</b>  | <b>0</b> | <b>14</b> | <b>12</b> | <b>P</b> |          | <b>H</b> | <b>--</b> |
|                            | <b>UTG</b>  | <b>6</b> | <b>14</b> | <b>12</b> | <b>S</b> | <b>N</b> |          | <b>--</b> |
| <b>Body variation:</b>     | <b>0</b> : Wall mounting receptacle<br><b>6</b> : Cable plug<br><b>1</b> : Free hanging receptacle    |          |           |           |          |          |          |           |
| <b>Shell size:</b>         |   |          |           |           |          |          |          |           |
| <b>Insert arrangement:</b> |   |          |           |           |          |          |          |           |
| <b>Type of contacts:</b>   | <b>P</b> : Pin contacts<br><b>S</b> : Socket contacts   |          |           |           |          |          |          |           |
| <b>Plating</b>             | <b>N</b> : Nickelplated bayonet ring  |          |           |           |          |          |          |           |
| <b>Application</b>         | <b>No letter</b> : Standard version<br><b>H</b> : Water protected version (only receptacle)           |          |           |           |          |          |          |           |
| <b>Design variation</b>    | <b>No letter</b> : Moulded-in contact marking (standard version)<br><b>Others</b> : Specials versions |          |           |           |          |          |          |           |

# UTG - Metalok Bantam

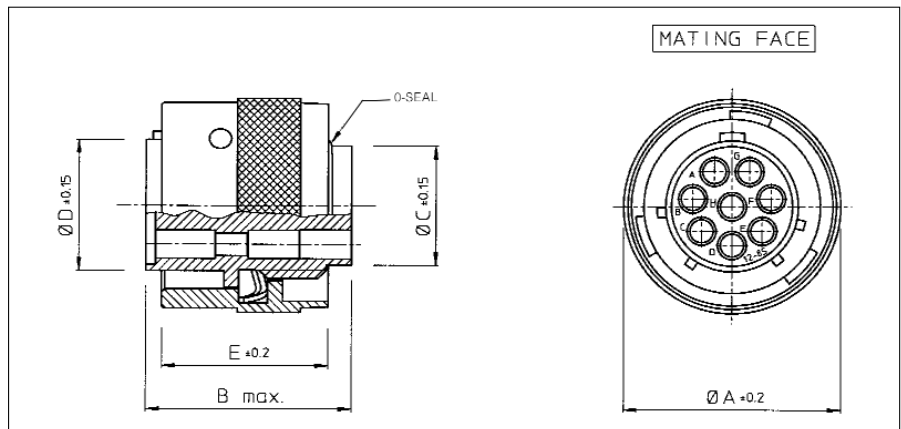


## Cable plug for pin contacts (UTG6- - - -PN)



| Part number                | Shell size | $\varnothing A \pm 0.2$ | B max.      | $\varnothing C \pm 0.15$ | $\varnothing D \pm 0.15$ | E $\pm 0.2$ |
|----------------------------|------------|-------------------------|-------------|--------------------------|--------------------------|-------------|
| UTG6104PN / UTG6103PNVDE   | 10         | 21.6                    | 31.8        | 10.9                     | 12.2                     | 19.1        |
| UTG6128PN                  | 12         | 24.8                    |             | 13.8                     | 15.1                     |             |
| UTG61412PN                 | 14         | 28.0                    |             | 17.0                     | 18.3                     |             |
| UTG61619PN                 | 16         | 31.2                    |             | 19.9                     | 21.5                     |             |
| UTG61823PN / UTG6187PNVDEU | 18         | 34.3                    | 31.8 / 33.0 | 22.4                     | 24.0                     |             |
| UTG62028PN / UTG62020PN    | 20         | 37.5                    | 31.8 / 35.3 | 25.6                     | 27.2                     |             |
| UTG62235PN                 | 22         | 40.7                    | 31.8        | 26.5                     | 30.4                     |             |
| UTG62448PN                 | 24         | 43.9                    |             | 31.7                     | 33.5                     |             |

## Cable plug for socket contacts (UTG6- - - -SN)

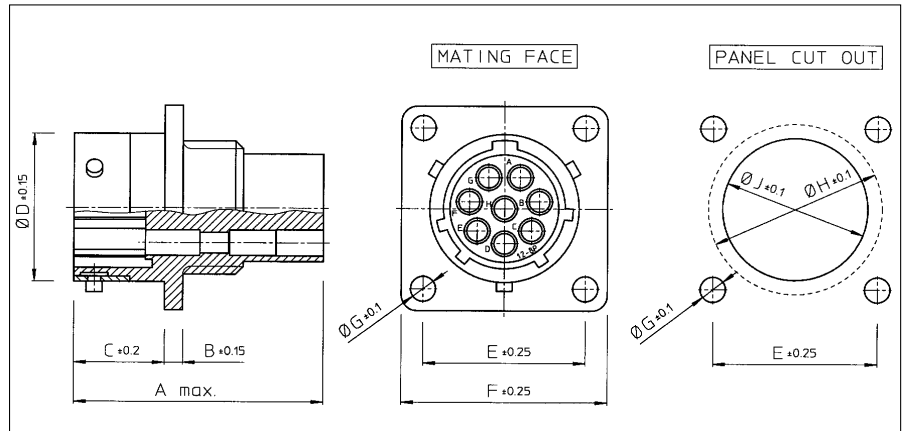


| Part number                | Shell size | $\varnothing A \pm 0.2$ | B max.       | $\varnothing C \pm 0.15$ | $\varnothing D \pm 0.15$ | E $\pm 0.2$ |
|----------------------------|------------|-------------------------|--------------|--------------------------|--------------------------|-------------|
| UTG6104SN / UTG6103SNVDE   | 10         | 21.6                    | 23.9 / 26.75 | 10.9                     | 12.2                     | 19.1        |
| UTG6128SN                  | 12         | 24.8                    | 23.9         | 13.8                     | 15.1                     |             |
| UTG61412SN                 | 14         | 28.0                    |              | 17.0                     | 18.3                     |             |
| UTG61619SN                 | 16         | 31.2                    | 19.9         | 21.5                     |                          |             |
| UTG61823SN / UTG6187SNVDEU | 18         | 34.3                    | 23.9 / 29.0  | 22.4                     | 24.0                     |             |
| UTG62028SN / UTG62020SN    | 20         | 37.5                    | 24.9         | 25.6                     | 27.2                     |             |
| UTG62235SN                 | 22         | 40.7                    |              | 28.5                     | 30.4                     |             |
| UTG62448SN                 | 24         | 43.9                    | 26.2         | 31.7                     | 33.5                     |             |

# UTG - Metalok Bantam



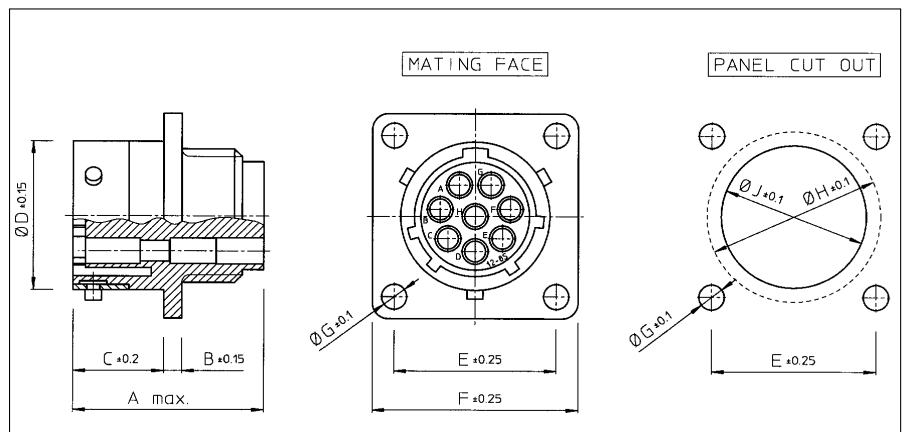
## Wall mounting receptacle for pin contacts (UTG0- - - -P)



| Part number              | Shell size | A max.    | B ±0.15 | C ±0.2    | Ø D ±0.15 | E ±0.25 | F +0.25 | Ø G ±0.1 | Ø H ±0.1 | Ø J ±0.1 |
|--------------------------|------------|-----------|---------|-----------|-----------|---------|---------|----------|----------|----------|
| UTG0104P / UTG0103PVDE   | 10         | 31.7      | 2.3     | 11.3      | 15.0      | 18.3    | 23.8    | 3.2      | 17.3     | 15.1     |
| UTG0128P                 | 12         |           |         |           | 19.0      | 20.6    | 26.2    |          | 21.8     | 18.2     |
| UTG01412P                | 14         |           |         |           | 22.2      | 23.0    | 28.6    |          | 25.0     | 21.4     |
| UTG01619P                | 16         |           |         |           | 25.3      | 24.6    | 31.0    |          | 28.1     | 24.6     |
| UTG01823P / UTG0187PVDEU | 18         | 31.7/34.0 | 2.5     | 11.3/17.9 | 28.5      | 27.0    | 33.3    | 3.9      | 31.3     | 27.8     |
| UTG02028P / UTG02020P    | 20         | 33.3/34.3 |         |           | 14.5      | 31.7    | 29.4    |          | 36.5     | 34.5     |
| UTG02235P                | 22         | 33.3      | 3.5     | 15.3      | 34.9      | 31.8    | 39.7    | 3.9      | 37.7     | 34.1     |
| UTG02448P                | 24         |           |         |           | 38.0      | 34.9    | 42.9    |          | 40.9     | 37.3     |

For waterprotected version add "H" behind "P" e.g. UTG01412PH

## Wall mounting receptacle for socket contacts (UTG0- - - -S)



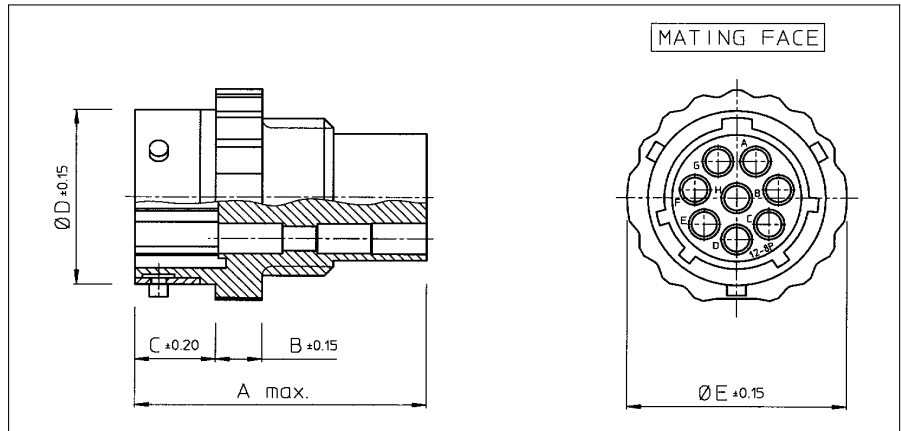
| Part number              | Shell size | A max.    | B ±0.15 | C ±0.2    | Ø D ±0.15 | E ±0.25 | F +0.25 | Ø G ±0.1 | Ø H ±0.1 | Ø J ±0.1 |
|--------------------------|------------|-----------|---------|-----------|-----------|---------|---------|----------|----------|----------|
| UTG0104S / UTG0103SVDE   | 10         | 24.3/27.6 | 2.3     | 11.3      | 15.0      | 18.3    | 23.8    | 3.2      | 17.3     | 15.1     |
| UTG0128S                 | 12         | 24.3      |         |           | 19.0      | 20.6    | 26.2    |          | 21.8     | 18.2     |
| UTG01412S                | 14         |           |         |           | 22.2      | 23.0    | 28.6    |          | 25.0     | 21.4     |
| UTG01619S                | 16         |           |         |           | 25.3      | 24.6    | 31.0    |          | 28.1     | 24.6     |
| UTG01823S / UTG0187SVDEU | 18         | 24.3/30.4 | 2.5     | 11.3/17.9 | 28.5      | 27.0    | 33.3    | 3.9      | 31.3     | 27.8     |
| UTG02028S / UTG02020S    | 20         | 27.0      |         |           | 14.5      | 31.7    | 29.4    |          | 36.5     | 34.5     |
| UTG02235S                | 22         | 28.0      | 3.5     | 15.3      | 34.9      | 31.8    | 39.7    | 3.9      | 37.7     | 34.1     |
| UTG02448S                | 24         |           |         |           | 30.4      | 38.0    | 34.9    |          | 42.9     | 40.9     |

For waterprotected version add "H" behind "S" e.g. UTG01412SH

# UTG - Metalok Bantam



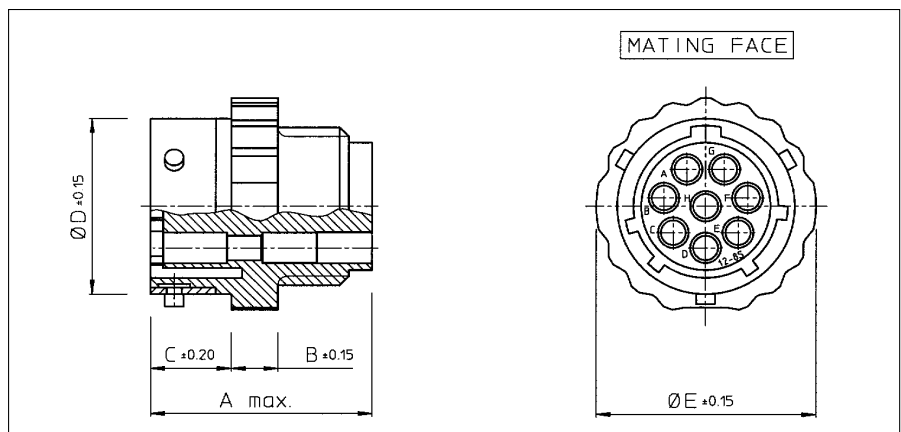
## Free hanging receptacle for pin contacts (UTG1- - - -P)



| Part number              | Shell size | A max.    | B $\pm 0.15$ | C $\pm 0.2$ | $\varnothing D \pm 0.15$ | $\varnothing E \pm 0.15$ |
|--------------------------|------------|-----------|--------------|-------------|--------------------------|--------------------------|
| UTG1104P / UTG1103PVDE   | 10         | 31.7      | 5.0          | 8.65        | 15.0                     | 19.5                     |
| UTG1128P                 | 12         |           |              |             | 19.0                     | 23.5                     |
| UTG11412P                | 14         |           |              |             | 22.2                     | 27.0                     |
| UTG11619P                | 16         |           |              |             | 25.3                     | 30.0                     |
| UTG11823P / UTG1187PVDEU | 18         | 31.7/34.0 | 5.0          | 8.65/15.35  | 28.5                     | 33.0                     |
| UTG12028P / UTG12020P    | 20         | 33.3/34.3 |              | 12.05       | 31.7                     | 36.5                     |
| UTG12235P                | 22         | 33.3      |              | 34.9        | 39.5                     |                          |
| UTG12448P                | 24         |           |              | 13.85       | 38.0                     | 42.5                     |

For waterprotected version add "H" behind "P" e.g. UTG11412PH

## Free hanging receptacle for socket contacts (UTG1- - - -S)



| Part number              | Shell size | A max.    | B $\pm 0.15$ | C $\pm 0.2$ | $\varnothing D \pm 0.15$ | $\varnothing E \pm 0.15$ |
|--------------------------|------------|-----------|--------------|-------------|--------------------------|--------------------------|
| UTG1104S / UTG1103SVDE   | 10         | 24.3/27.6 | 5.0          | 8.65        | 15.0                     | 19.5                     |
| UTG1128S                 | 12         | 24.3      |              |             | 19.0                     | 23.5                     |
| UTG11412S                | 14         |           |              |             | 22.2                     | 27.0                     |
| UTG11619S                | 16         | 25.3      |              |             | 30.0                     |                          |
| UTG11823S / UTG1187SVDEU | 18         | 24.3/30.4 | 5.0          | 8.65/15.35  | 28.5                     | 33.0                     |
| UTG12028S / UTG12020S    | 20         | 25.9      |              | 12.05       | 31.7                     | 36.5                     |
| UTG12235S                | 22         |           |              | 34.9        | 39.5                     |                          |
| UTG12448S                | 24         |           |              | 13.85       | 38.0                     | 42.5                     |

For waterprotected version add "H" behind "S" e.g. UTG11412SH