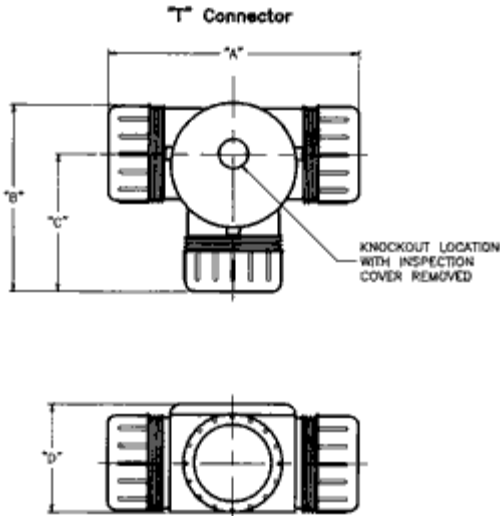


TYPE - CTC



T Connector						Nominal	Dimensions		
Cat #	US Trade Size	MM	NM	Part #	A	B	C	D	Part #
CTC-140	1/4" X 3	10	7	90514	2-11/16"	1-31/32"	1-17/32"	1-1/16"	90514
CTC-516	5/16" X 3	12	10	90516	2-11/16"	1-31/32"	1-17/32"	1-1/16"	90516
CTC-10	3/8" X 3	16	12	90517	2-3/4"	2"	1-1/2"	1-7/32"	90517
CTC-11	1/2" X 3	20	17	90518	3-5/32"	2-9/32"	1-11/16"	1-3/8"	90518
CTC-12	3/4" X 3	25	23	90519	3-3/4"	2-13/16"	2-1/32"	1-11/16"	90519
CTC-13	1" X 3	32	29	90523	4-5/16"	3-5/16"	2-13/32"	2"	90523

Y Connector and Parallel Splitters are available upon request.
Please consult factory.



Plastic Used: NYLON [See the Chemical Resistance Guide](#)

High Mech. Strength	Listed For Direct Burial	Halogen Free	Low Fire Hazard	Accepts Standard Liquidtight Fittings	Self Extinguish	EMI/RFI Shielding	Oil Resistance	Acid Resistance

[Packaging, Disclaimer and Warranty](#)

® Electri-Flex Company 1-800-323-6174

[Privacy](#) [Terms](#)