

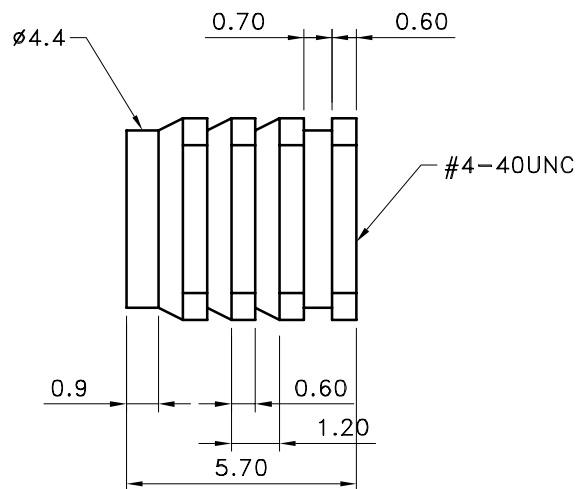
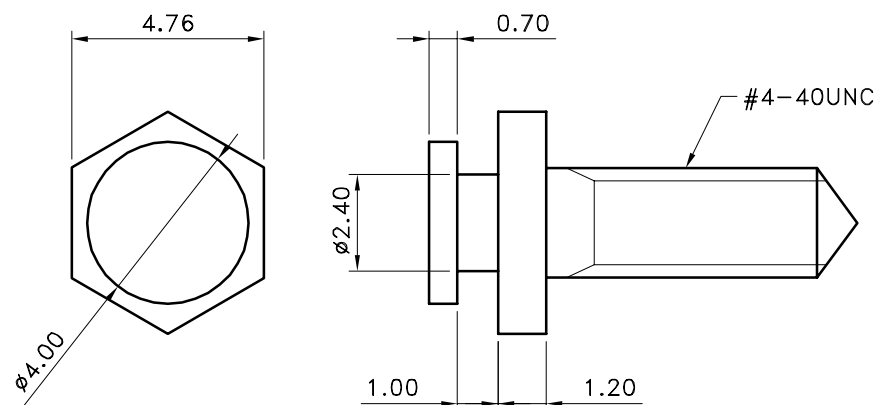
1

2

3

4

5



A

B

C

D

				DRAWN: Jerry Chen	GENERAL TOLERANCE: ± 0.2	NELTRON INDUSTRIAL CO.,LTD	
E							
D						DESCRIPTION: # 1 SLIDE LOCK POST	
C							
B				CHECKED: Peter Huang	UNIT: MM	SIZE A4	
A			Jerry Chen		SCALE:		
REV	DATE	FILE	BY		SHEET: 1 / 1	PART NO: 014	
					PROJECTION:		