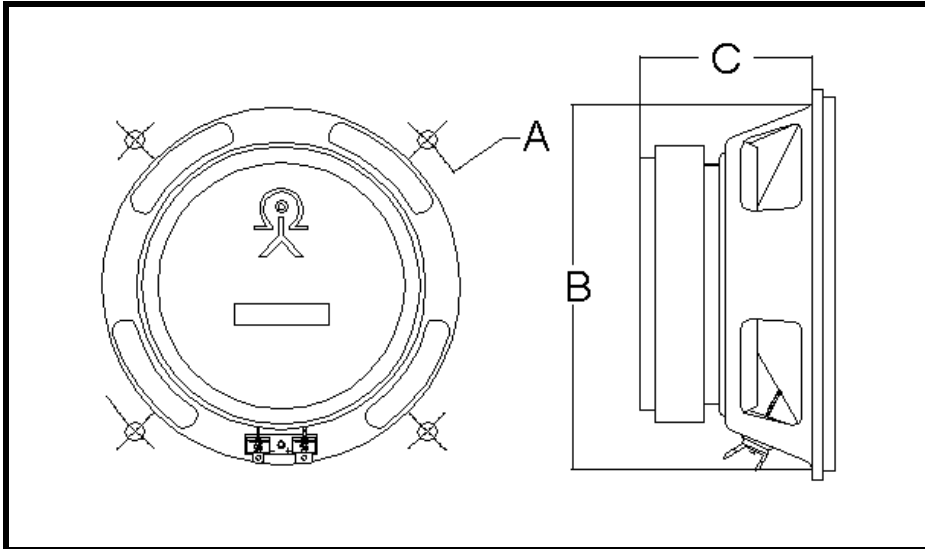


4" Marine Speaker
ABS plastic grille chassis
and magnet cover
Polypropylene / Mylar dual
cones
Rubber cone surround
PU coated pigtailed
Gold plated terminals
Supplied as standard with



After the following tests the speaker operates normally.

Thermal Shock Test

-30°C ± 2°C / 2Hrs +80°C / 2Hrs 20 Cycles

Humidity Test

+40°C 95%RH 96Hrs

High Temperature Test

+85°C 240 Hrs

Low Temperature Test

-40°C 72 Hrs

A (mm)

118

B (mm)

102

C (mm)

46

Magnet Dia (mm)

70

Chassis (mm)

0

Mounting holes in pitch

4

Output S P L 1W @ 1m	87
Nominal impedance Ω	8
Rated Power input (W)	25
Speaker weight (g)	550
Voice coil dia (mm)	25
SPECIFICATION	

FS	115.33Hz
RE	6.1 Ohm
RES	9.16 Ohm
QMS	3.01
QES	2
QTS	0
MMs	7.05 grams
CMs	3 μm/Newton
BL	3.94 Tesla-m
INFO@EUROTEC-INTL.CO.UK	
THIELE SMALL	

