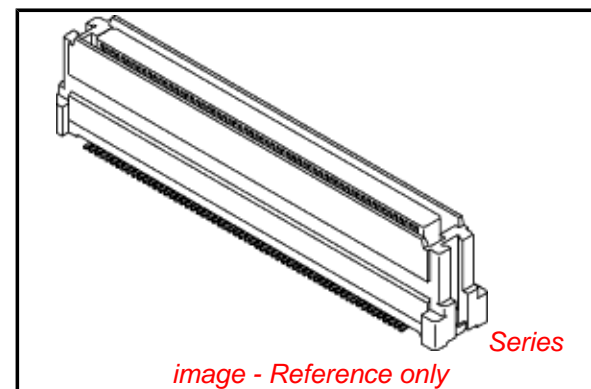


PLEASE CHECK WWW.MOLEX.COM FOR LATEST PART INFORMATION

Part Number: [0528371479](#)
Status: **Contact Molex**
Description: 0.635mm (.025") Pitch SlimStack™ Receptacle, Surface Mount, Dual Row, Vertical Stacking, 11.00 to 16.00mm (.433 to .630") Stacking Heights, 140 Circuits, Lead-free
Replacement Part Number: [529011474](#)

Documents:

[3D Model](#) [Product Specification PS-52760-015 \(PDF\)](#)
[Drawing \(PDF\)](#) [RoHS Certificate of Compliance \(PDF\)](#)



General

Product Family	PCB Receptacles
Series	52837
Application	Board-to-Board, Signal
Product Name	SlimStack™
Replacement Part Number	529011474

Physical

Circuits (Loaded)	140
Durability (mating cycles max)	50
Glow-Wire Compliant	No
Mated Height	11.00mm (.433"), 12.00mm (.472"), 13.00mm (.512"), 14.00mm (.551"), 15.00mm (.591"), 16.00mm (.630")
Material - Metal	Phosphor Bronze
Material - Plating Mating	Gold
Material - Plating Termination	Tin
Number of Rows	2
Orientation	Vertical
PCB Locator	Yes
PCB Retention	Yes
PCB Thickness - Recommended	1.60mm (.063")
Packaging Type	Tube
Pitch - Mating Interface	0.64mm (.025")
Plating min - Mating	0.254µm (10µ")
Plating min - Termination	1.016µm (40µ")
Polarized to PCB	Yes
Surface Mount Compatible (SMC)	N/A
Temperature Range - Operating	-55°C to +85°C
Termination Interface: Style	Surface Mount

Electrical

Current - Maximum per Contact	0.5A
Voltage - Maximum	100V

Material Info

Reference - Drawing Numbers

Product Specification	PS-52760-015, RPS-52760-017, RPS-52760-018, RPS-52760-020, RPS-52760-021, RPS-52760-029, RPS-52837-004, RPS-52837-006
Sales Drawing	SD-52837-002, SD-52837-004

EU RoHS

ELV and RoHS Compliant
REACH SVHC Contains SVHC: No
Low-Halogen Status Not Reviewed

China RoHS



Need more information on product environmental compliance?

Email productcompliance@molex.com
 For a multiple part number RoHS Certificate of Compliance, [click here](#)

Please visit the [Contact Us](#) section for any non-product compliance questions.

Search Parts in this Series

[52837Series](#)

Mates With

[55091](#) , [53649](#) , [53643](#) , [53475](#) , [53627](#) , [53553](#) , [53552](#) , [53647](#) , [53551](#) , [53481](#) , [53625](#)