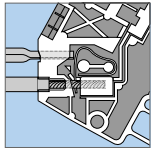
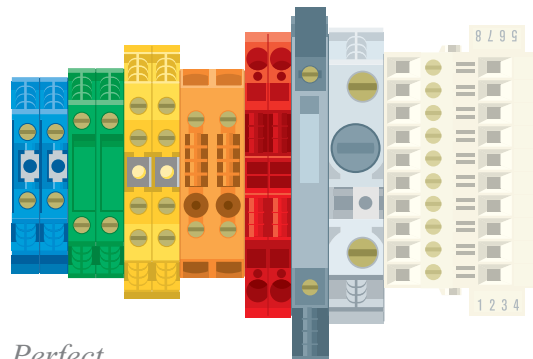


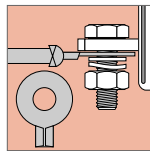
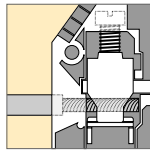
Back

# Terminal blocks Telemecanique

Catalogue



*Perfect connections*



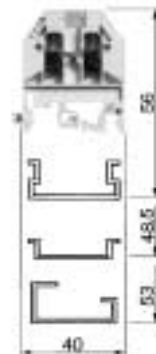
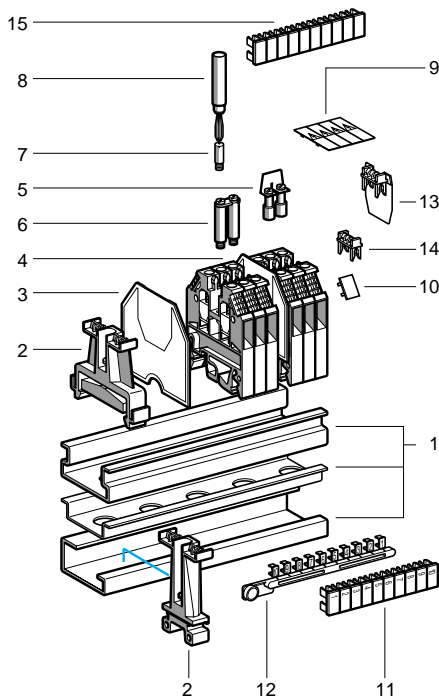
- Merlin Gerin
- Modicon
- Square D
- Telemecanique
- Magrini Galileo

# Terminal blocks

Screw clamp type

## Clip-on mounting on 2.5 mm and 4 mm rails

Nominal c.s.a.	2.5 mm <sup>2</sup>	Sold in lots of	Weight g	4 mm <sup>2</sup> (1)	Sold in lots of	Weight g
Unit reference	(Colour : grey RAL 7032 V0) <b>AB1-VV235U</b>	<b>100</b>	<b>6.5</b>	<b>AB1-VV435U</b>	<b>100</b>	<b>7.8</b>
	(Colour : blue) <b>AB1-VV235UBL</b>	<b>100</b>	<b>6.5</b>	<b>AB1-VV435UBL</b>	<b>100</b>	<b>7.8</b>
	(Colour : orange) <b>AB1-VV235UGE</b>	<b>100</b>	<b>6.5</b>	<b>AB1-VV435UGE</b>	<b>100</b>	<b>7.8</b>



### 5 mm pitch

Cabling c.s.a. in mm<sup>2</sup>  
 Flexible cable without cable end : 0.5 to 2.5  
 Flexible cable with cable end : 0.5 to 1.5  
 Solid cable : 0.5 to 4

Nominal electrical values  
 UTE, category C : ~ 500 V ~ 500 V  
 VDE, group C : ~ 750 V ~ 900 V 26 A

Approvals obtained under the marking   
 Type WK 2.5/U  
 CSA (600 V), DEMKO (500 V), NEMKO (500 V),  
 UR (600 V), GL, LROS, DNV, USSR, KEMA,  
 VDE, LCIE, SEV, FI, SEMKO, RINA, LR, CEBEC,  
 OEVE, EEX

Unit reference	Number of points (4)	Sold in lots of	Unit weight g
<b>AM1-ED</b> (2)			
<b>AM1-Dp</b> (2)			
<b>DZ5-MB</b> (2)			
<b>AB1-AB7P32</b>		100	4.2
<b>AB1-AB8P35</b>		100	5.9
<b>AB1-AB10M32</b>		100	6.5
<b>AB1-AB8M35</b>		100	7
<b>AB1-AC24</b>		50	1.9
<b>AB1-AC24BL</b>		50	1.9
<b>AB1-AC24GE</b>		50	1.9
<b>AB1-AS24</b>		50	2.5
<b>AB1-AL2</b>	80	10	105
<b>AB1-ALN22</b>		10	2
<b>AB1-ALN210</b>		50	10
<b>AB1-BL2</b>		50	10
<b>AB1-A2</b>		50	0.5
<b>AB1-AT1</b>		50	1.7
<b>AB1-CS2</b>		100	0.8
<b>AB1-SA</b> (3)			
<b>AB1-B5</b> (3)			
<b>AB1-R</b> or <b>G</b> (3)			
<b>AB1-CJ2</b>		100	0.3
<b>AB1-CA2</b>		100	0.1

### 6 mm pitch

Cabling c.s.a. in mm<sup>2</sup>  
 Flexible cable without cable end : 0.5 to 4  
 Flexible cable with cable end : 0.5 to 2.5  
 Solid cable: 0.5 to 6

Nominal electrical values  
 UTE, category C : ~ 500 V ~ 500 V  
 VDE, group C : ~ 750 V ~ 900 V 34 A

Approvals obtained under the marking   
 Type WK 4/U  
 CSA (600 V), DEMKO (500 V), NEMKO (500 V),  
 UR (600 V), GL, LROS, DNV, USSR, KEMA,  
 SEMKO, VDE, LCIE, SEV, FI, CEBEC, RINA, LR,  
 OEVE, EEX

Unit reference	Number of points (4)	Sold in lots of	Unit weight g
<b>AM1-ED</b> (2)			
<b>AM1-Dp</b> (2)			
<b>DZ5-MB</b> (2)			
<b>AB1-AB7P32</b>		100	4.2
<b>AB1-AB8P35</b>		100	5.9
<b>AB1-AB10M32</b>		100	6.5
<b>AB1-AB8M35</b>		100	7
<b>AB1-AC24</b>		50	1.9
<b>AB1-AC24BL</b>		50	1.9
<b>AB1-AC24GE</b>		50	1.9
<b>AB1-AS24</b>		50	2.5
<b>AB1-AL4</b>	70	10	145
<b>AB1-ALN42</b>		10	2.9
<b>AB1-ALN410</b>		50	14.5
<b>AB1-BL4</b>		50	12
<b>AB1-A4</b>		50	0.5
<b>AB1-AT1</b>		50	1.7
<b>AB1-CS4</b>		100	0.9
<b>AB1-SA</b> (3)			
<b>AB1-B6</b> (3)			
<b>AB1-R</b> or <b>G</b> (3)			
<b>AB1-CJ4</b>		100	0.3
<b>AB1-CA4</b>		100	0.1
<b>AB1-CA410ET</b>		50	1

## Accessories

### Dimensions in mm

1 - 2.5 rail (2)	
1 - 4 rail (2)	
1 - 4 rail (2)	
2 - Plastic end stops	width 7.5 on 4
	width 8 on 2.5 or 4
2 - Metal end stops	width 10 on 4
	width 8 on 2.5 or 4
3 - End covers :	grey
thickness 3/3.5	blue
	orange
4 - Partition : thickness 3/3.5	
5 - Commoning link with screws	non insulated
- for 2 poles	insulated
- for 10 poles	insulated
6 - Pivoting commoning bar for 2 blocks	
7 - Test plug socket, Ø 2.5	
8 - Test plug, Ø 2.5 - 4	
9 - "Danger" live terminals cover	
10 - Blank legend plate	
11 - Printed terminal marker strips	
12 - Printed terminal marker tag strips	
13 - Yellow partition for use	
between commoning links	
14 - Yellow protective cover	
for individual commoning link	
15 - Yellow protective cover	
for 10 pole commoning link	

(1) Other colours (black, white, red, green) available on request.  
 (2) See page 13300/6.

(3) See pages 13511/2 and 13511/3.

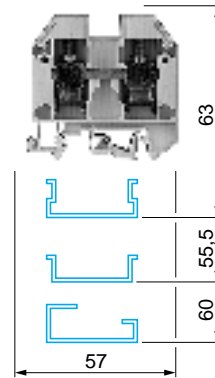
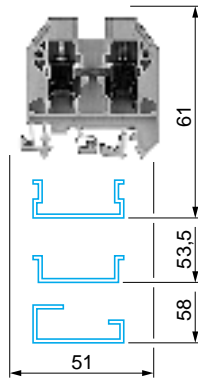
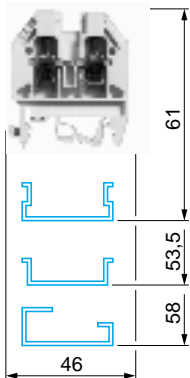
(4) Number of parallel connections (diagram reference 5).

# Terminal blocks

Screw clamp type

## Clip-on mounting on 25 rails

6 mm <sup>2</sup>	Sold in lots of	Weight g	10 mm <sup>2</sup>	Sold in lots of	Weight g	16 mm <sup>2</sup>	Sold in lots of	Weight g
AB1-VV635U	100	14.8	AB1-VVN1035U	50	26	AB1-VVN1635U	50	40
AB1-VV635UBL	100	14.8	AB1-VVN1035UBL	50	26	AB1-VVN1635UBL	50	40
AB1-VV635UGE	100	14.8	-	-	-	-	-	-



### 8 mm pitch

Cabling c.s.a. in mm<sup>2</sup>

Flexible cable without cable end : 0.5 to 6

Flexible cable with cable end : 0.5 to 6

Solid cable : 0.5 to 10

Nominal electrical values

UTE, category C : ~ 500 V ~ 500 V

VDE, group C : ~ 750 V ~ 900 V 44 A

Approvals obtained under the marking

Type WK 6/U

CSA (600 V), DEMKO (500 V), NEMKO (500 V), UR (600 V), GL, LROS, DNV, USSR, KEMA, VDE, LCIE, SEMKO, FI, RINA, CEBEC, LR, OEVE, EEX

Unit reference	Number of points (4)	Sold in lots of	Unit weight g
AM1-ED● (1)			
AM1-D●● (1)			
DZ5-M● (1)			
AB1-AB7P32		100	4.2
AB1-AB8P35		100	5.9
AB1-AB10M32		100	6.5
AB1-AB8M35		100	7
AB1-AC6		50	2.6
AB1-AC6BL		50	2.6
AB1-AC6GE		50	2.6
AB1-AS6		50	3.3
AB1-AL6	40	10	237
AB1-ALN62		10	6.1
AB1-ALN610		50	30.5
-		-	-
AB1-A6		50	1
AB1-AT2		50	1.7
AB1-CS6		100	1.5
AB1-SA● (2)			
AB1-B8●●● (2)			
AB1-R● or G● (2)			
AB1-CJ6		100	0.5
AB1-CA6		100	0.2

### 10 mm pitch

Cabling c.s.a. in mm<sup>2</sup>

Flexible cable without cable end : 1 to 10

Flexible cable with cable end : 1 to 10

Solid cable : 1 to 16

Nominal electrical values

UTE, category C : ~ 500 V ~ 500 V

VDE, group C : ~ 750 V ~ 900 V 63 A

Approvals obtained under the marking

Type WKN 10/U

CSA (600 V), DEMKO (500 V), NEMKO (500 V), UR (600 V), GL, LROS, DNV, VDE, SEMKO, FI, NV, RINA, EEX, KEMA

Unit reference	Number of points (4)	Sold in lots of	Unit weight g
AM1-ED● (1)			
AM1-D●● (1)			
DZ5-MB● (1)			
AB1-AB7P32		100	4.2
AB1-AB8P35		100	5.9
AB1-AB10M32		100	6.5
AB1-AB8M35		100	7
AB1-ACN10		10	3.7
AB1-ACN10BL		10	3.7
-		-	-
AB1-ASN10		10	4.5
AB1-ALN10	40	10	180
AB1-ALN102		10	11.6
AB1-ALN1010		50	58
-		-	-
AB1-A10		50	1
AB1-AT2		50	1.7
AB1-CSN10		10	1.4
AB1-SA● (2)			
-		-	-
AB1-R● or G● (2)			
AB1-CJN10		10	0.7
AB1-CA10		100	0.3

### 12 mm pitch

Cabling c.s.a. in mm<sup>2</sup>

Flexible cable without cable end : 2.5 to 16

Flexible cable with cable end : 2.5 to 16

Solid cable : 6 to 25

Nominal electrical values

UTE, category C : ~ 500 V ~ 500 V

VDE, group C : ~ 750 V ~ 900 V 85 A

Approvals obtained under the marking

Type WKN 16/U

CSA (600 V), DEMKO (500 V), NEMKO (500 V), UR (600 V), GL, LROS, DNV, VDE, SEMKO, KEMA, RINA, NV, EEX

Unit reference	Number of points (4)	Sold in lots of	Unit weight g
AM1-ED● (1)			
AM1-D●● (1)			
DZ5-MB● (1)			
AB1-AB7P32		100	4.2
AB1-AB8P35		100	5.9
AB1-AB10M32		100	6.5
AB1-AB8M35		100	7
AB1-ACN16 (3)		10	5.4
AB1-ACN16BL (3)		10	5.4
-		-	-
AB1-ASN16		10	6.4
AB1-ALN16	30	10	320
AB1-ALN162		10	25
AB1-ALN1610		10	125
-		-	-
AB1-A16		50	1
AB1-AT2		50	1.7
AB1-CSN16		10	1.4
AB1-SA● (2)			
-		-	-
AB1-R● or G● (2)			
AB1-CJN16		10	1.3
-		-	-

(1) See page 13300/6.

(2) See pages 13511/2 and 13511/3.

(3) Thickness : 2.

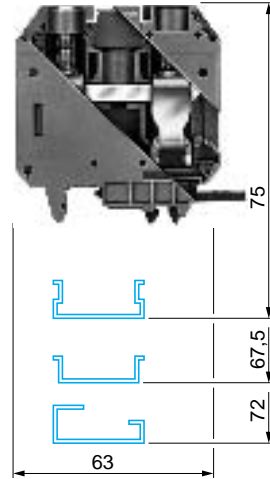
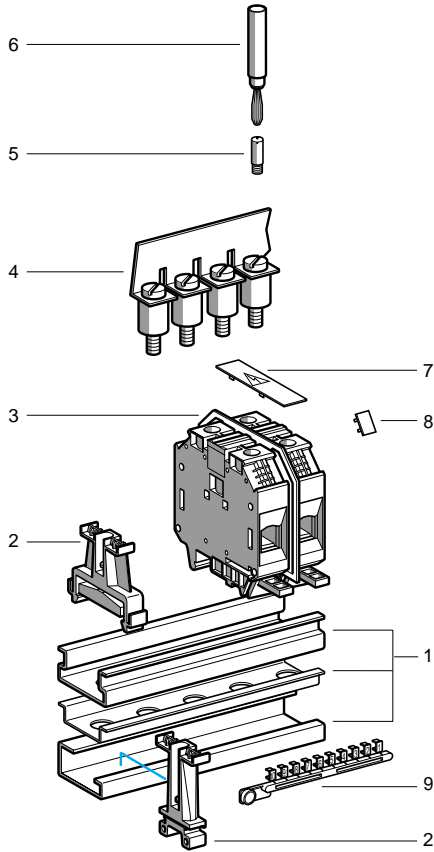
(4) Number of parallel connections (diagram reference 5).

# Terminal blocks

## Screw clamp type

### Clip-on mounting on 25, 35, 50 rails

Nominal c.s.a.		35 mm <sup>2</sup>	Sold in lots of	Weight g
Unit reference	(Colour : grey RAL 7032 V0)	<b>AB1-VVN3535U</b>	20	71
	(Colour : blue)	<b>AB1-VVN3535UBL</b>	20	71



#### 16 mm pitch

Cabling c.s.a. in mm<sup>2</sup>  
 Flexible cable without cable end : 6 to 35  
 Flexible cable with cable end : 6 to 35  
 Solid cable : 10 to 50

Nominal electrical values  
 UTE, category C : ~ 500 V, --- 500 V  
 VDE, group C : ~ 750 V, --- 900 V 138 A

Approvals obtained under the marking   
 Type WKN 35/U  
 NEMKO, SEMKO, UR (600 V), DNV, CSA, GL, DEMKO, FI, NV, RINA, EEX

#### Accessories

Dimensions in mm	
1 - 25 rail (1)	
1 - 35 rail (1)	
1 - 50 rail (1)	
2 - Plastic end stops	width 7.5 on 50 width 8 on 25 or 35
2 - Metal end stops	width 10 on 50 width 8 on 25 or 35
3 - Partition (ivory)	thickness 1.5 thickness 3
4 - Commoning link with screws	non insulated insulated
- for 2 poles	
- length 315 mm	
5 - Test plug socket	
6 - Test plug	
7 - "Danger" live terminals cover	
8 - Blank legend plate	
9 - Marking accessories	
Yellow protective cover	

Unit reference	Number of points (3)	Sold in lots of	Unit weight g
<b>AM1-ED●</b> (1)			
<b>AM1-D●●</b> (1)			
<b>DZ5-MB●</b> (1)			
<b>AB1-AB7P32</b>		100	4.2
<b>AB1-AB8P35</b>		100	5.9
<b>AB1-AB10M32</b>		100	6.5
<b>AB1-AB8M35</b>		100	7
<b>AB1-ASN35</b>		10	7
-			
-			
<b>AB1-ALN352</b>		10	2.8
<b>AB1-ALN35</b>	20	10	28.4
<b>AB1-A35</b>		20	2.7
<b>AB1-AT2</b>		50	1.7
<b>AB1-CSN35</b>		10	1.4
<b>AB1-SA●</b> (2)			
<b>AB1-R● or G●</b> (2)			
<b>AB1-CA35</b>		50	0.7

(1) See page 13300/6.

(2) See pages 13511/2 and 13511/3.

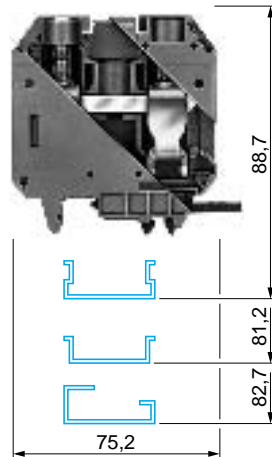
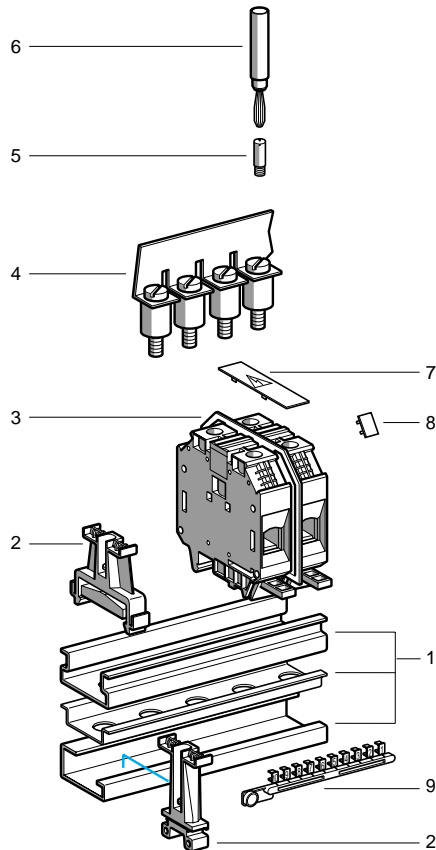
(3) Number of parallel connections (diagram reference 4).

# Terminal blocks

Screw clamp type

## Clip-on mounting on 25 and 32 rails

Nominal c.s.a.		70 mm <sup>2</sup>	Sold in lots of	Weight g	150 mm <sup>2</sup>	Sold in lots of	Weight g
Unit reference	(Colour : grey RAL 7032 V0)	<b>AB1-VVN7035U</b>	20	173	<b>AB1-VVN15035U</b>	10	267
	(Colour : blue)	<b>AB1-VVN7035UBL</b>	20	173	<b>AB1-VVN15035UBL</b>	10	267



### 24 mm pitch

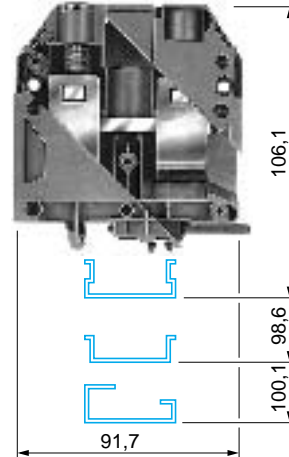
Cabling c.s.a. in mm<sup>2</sup>  
 Flexible cable without cable end : 16 to 70  
 Flexible cable with cable end : 16 to 70  
 Solid cable : 16 to 95

Nominal electrical values  
 UTE, category C : 500 V, 500 V  
 VDE, group C : 750 V, 900 V 213 A

Approvals obtained under the marking Type WKN 35/U

VDE, UR, RINA, EEX

Unit reference	Sold in lots of	Unit weight g
<b>AM1-ED</b> (1)		
<b>AM1-Dp</b> (1)		
<b>DZ5-MB</b> (1)		
<b>AB1-AB7P32</b>	100	4.2
<b>AB1-AB8P35</b>	100	5.9
<b>AB1-AB10M32</b>	100	6.5
<b>AB1-AB8M35</b>	100	7
-		
<b>AB1-ASN70</b>	10	22.3
-		
<b>AB1-ALN702</b>	10	2.8
-		
-		
-		
-		
<b>AB1-CSN70</b>	10	1.4
<b>AB1-SA</b> (2)		
<b>AB1-R</b> or <b>G</b> (2)		



### 28 mm pitch

Cabling c.s.a. in mm<sup>2</sup>  
 Flexible cable without cable end : 35 to 150  
 Flexible cable with cable end : 35 to 150  
 Solid cable : 35 to 185

Nominal electrical values  
 UTE, category C : 500 V, 500 V  
 VDE, group C : 750 V, 900 V 344 A

Approvals obtained under the marking Type WKN 150/U

VDE, UR, CSA, ASE, DEMKO

Unit reference	Sold in lots of	Unit weight g
<b>AM1-ED</b> (1)		
<b>AM1-D</b> (1)		
<b>DZ5-MB</b> (1)		
<b>AB1-AB8P32</b>	100	4.2
<b>AB1-AB8P35</b>	100	5.9
<b>AB1-AB10M32</b>	100	6.5
<b>AB1-AB8M35</b>	100	7
-		
-		
<b>AB1-ALN1502</b>	10	146
-		
-		
-		
-		
<b>AB1-CSN150</b>	10	3.2
<b>AB1-SA</b> (2)		
<b>AB1-R</b> or <b>G</b> (2)		

## Accessories

Dimensions in mm	
1 - 25 rail (1)	
1 - rail (1)	
1 - 32 rail (1)	
2 - Plastic end stops	width 7.5 on 32 width 8 on 25 or width 10 on 32
2 - Metal end stops	width 8 on 25 or width 10 on 32 thickness 1.5
3 - Partition (ivory)	thickness 3
4 - Commoning link with screws	
- for 2 poles	non insulated insulated
- length 315 mm	
5 - Test plug socket	
6 - Test plug	
7 - "Danger" live terminals cover	
8 - Blank legend plate	
9 - Marking accessories	

(1) See page 13300/6.

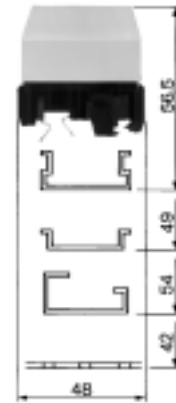
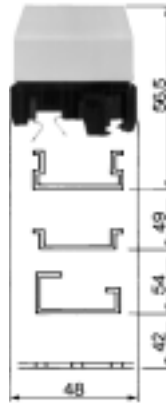
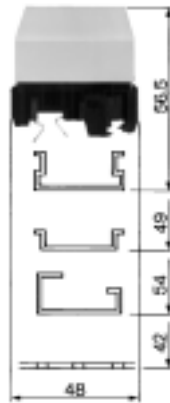
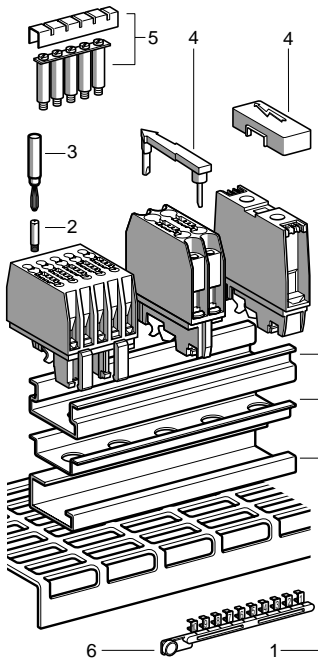
(2) See pages 13511/2 and 13511/3.

# Terminal blocks

Screw clamp type with universal foot

Clip-on mounting on 25 rails and on Telequick pre-slotted mounting plates AM1-PA

Nominal c.s.a.	4 mm <sup>2</sup>	4 mm <sup>2</sup>	4 mm <sup>2</sup>
Number of terminals	2-pole block	5-pole block	10-pole block
Unit reference (Colour : grey 7032)	<b>DB6-CD102</b>	<b>DB6-CD105</b>	<b>DB6-CD110</b>



Sold in lots of 10  
Unit weight : 26 g  
**Width of 2-pole block : 14 mm**

Cabling c.s.a. in mm<sup>2</sup>  
Flexible without cable end : 1 to 4  
Flexible with cable end : 0.75 to 2.5  
Solid cable : 1 to 6

Nominal electrical values  
UTE, cat. C : ~ 750 V, ≡ 750 V 30 A  
VDE, gr. C : ~ 750 V, ≡ 750 V 30 A

Product approvals  
CSA (600 V, 30 A, 20-12 AWG)

Sold in lots of 10  
Unit weight : 60 g  
**Width of 5-pole block : 35 mm**

Cabling c.s.a. in mm<sup>2</sup>  
Flexible without cable end : 1 to 4  
Flexible with cable end : 0.75 to 2.5  
Solid cable : 1 to 6

Nominal electrical values  
UTE, cat. C : ~ 750 V, ≡ 750 V 30 A  
VDE, gr. C : ~ 750 V, ≡ 750 V 30 A

Product approvals  
CSA (600 V, 30 A, 20-12 AWG)

Sold in lots of 10  
Unit weight : 114 g  
**Width of 10-pole block : 69 mm**

Cabling c.s.a. in mm<sup>2</sup>  
Flexible without cable end : 1 to 4  
Flexible with cable end : 0.75 to 2.5  
Solid cable : 1 to 6

Nominal electrical values  
UTE, cat. C : ~ 750 V, ≡ 750 V 30 A  
VDE, gr. C : ~ 750 V, ≡ 750 V 30 A

Product approvals  
CSA (600 V, 30 A, 20-12 AWG)

## Accessories

### Dimensions in mm

1- rail (1)	
1- rail (1)	
1- rail (1)	
1- Telequick plate (1)	
2- Socket for test plug	Ø 2 (3)
	Ø 3 (3)
	Ø 4 (3)
3- Test plug	
4- "Danger" live terminals cover (3)	
5- Commoning link with protective cover (3)	
6- Printed terminal marker tag strips	

Unit reference	Unit weight g
<b>AM1-ED●</b> (1)	
<b>AM1-D●●</b> (1)	
<b>DZ5-MB●</b> (1)	
<b>AM1-PA●</b> (1)	
<b>DB6-CD02</b>	8
<b>AB1-A2</b>	0.5
-	-
<b>AB1-AT1</b>	1.7
-	-
<b>DB6-CD19</b>	200
<b>AB1-R● or G●</b> (2)	

Unit reference	Unit weight g
<b>AM1-ED●</b> (1)	
<b>AM1-D●●</b> (1)	
<b>DZ5-MB●</b> (1)	
<b>AM1-PA●</b> (1)	
<b>DB6-CD02</b>	8
<b>AB1-A2</b>	0.5
-	-
<b>AB1-AT1</b>	1.7
-	-
<b>DB6-CD19</b>	200
<b>AB1-R● or G●</b> (2)	

Unit reference	Unit weight g
<b>AM1-ED●</b> (1)	
<b>AM1-D●●</b> (1)	
<b>DZ5-MB●</b> (1)	
<b>AM1-PA●</b> (1)	
<b>DB6-CD02</b>	8
<b>AB1-A2</b>	0.5
-	-
<b>AB1-AT1</b>	1.7
-	-
<b>DB6-CD19</b>	200
<b>AB1-R● or G●</b> (2)	

(1) See page 13300/6.  
(2) See pages 13511/2 and 13511/3.  
(3) Sold in lots of 10.

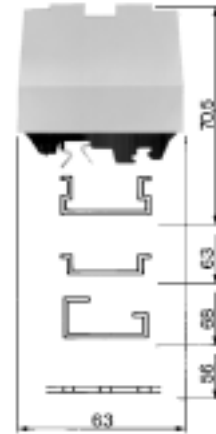
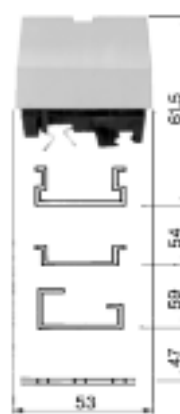
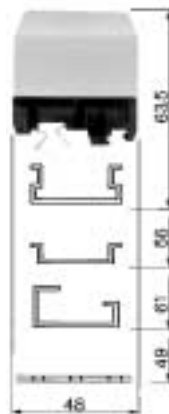
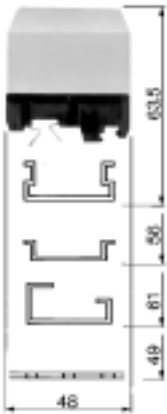
★ The commoning link connects the pins which screw into the sockets. It comprises : the link, 10 pins, 10 screws and 1 protective cover.

# Terminal blocks

Screw clamp type with universal foot

Clip-on mounting on 25, 35, 45 rails and on Telequick pre-slotted mounting plates AM1-PA

6 mm <sup>2</sup>	6 mm <sup>2</sup>	16 mm <sup>2</sup>	35 mm <sup>2</sup>
2-pole block	3-pole block	Single-pole block	Single-pole block
<b>DB6-DD102</b>	<b>DB6-DD103</b>	<b>DB6-ED01</b>	<b>DB6-FD01</b>



Sold in lots of 10  
Unit weight : 40 g  
**Width of 2-pole block : 17 mm**

Sold in lots of 10  
Unit weight : 60 g  
**Width of 3-pole block : 26 mm**

Sold in lots of 10  
Unit weight : 40 g  
**12 mm pitch**

Sold in lots of 10  
Unit weight : 73 g  
**15 mm pitch**

Cabling c.s.a. in mm<sup>2</sup>  
Flexible without cable end : 1 to 6  
Flexible with cable end : 1 to 6  
Solid cable : 1 to 10

Cabling c.s.a. in mm<sup>2</sup>  
Flexible without cable end : 1 to 6  
Flexible with cable end : 1 to 6  
Solid cable : 1 to 10

Cabling c.s.a. in mm<sup>2</sup>  
Flexible without cable end : 4 to 16  
Flexible with cable end : 4 to 10  
Solid cable : 4 to 16

Cabling c.s.a. in mm<sup>2</sup>  
Flexible without cable end : 6 to 35  
Flexible with cable end : 4 to 25  
Solid cable : 6 to 35

Nominal electrical values  
UTE, cat. C : ~ 750 V, ≡ 750 V 47 A  
VDE, gr. C : ~ 750 V, ≡ 750 V 47 A

Nominal electrical values  
UTE, cat. C : ~ 750 V, ≡ 750 V 47 A  
VDE, gr. C : ~ 750 V, ≡ 750 V 47 A

Nominal electrical values  
UTE, cat. C : ~ 750 V, ≡ 750 V 71 A  
VDE, gr. C : ~ 750 V, ≡ 750 V 65 A

Nominal electrical values  
UTE, cat. C : ~ 750 V, ≡ 750 V 125 A  
VDE, gr. C : ~ 750 V, ≡ 750 V 115 A

Product approvals  
CSA (600 V, 50 A, 14-8 AWG)

Product approvals  
CSA (600 V, 50 A, 14-8 AWG)

Product approvals  
CSA (600 V, 60 A, 14-6 AWG)

Product approvals  
CSA (600 V, 120 A, 10-2 AWG)

Unit reference	Unit weight g
AM1-ED● (1)	-
AM1-D●● (1)	-
DZ5-MB● (1)	-
AM1-PA● (1)	-
-	-
Fitted as standard	-
-	-
AB1-AT2	1.7
AR2-XA335983	5
-	-
AB1-R● or G● (2)	-

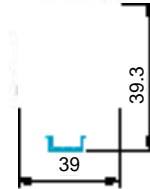
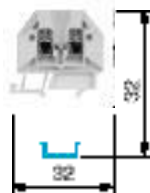
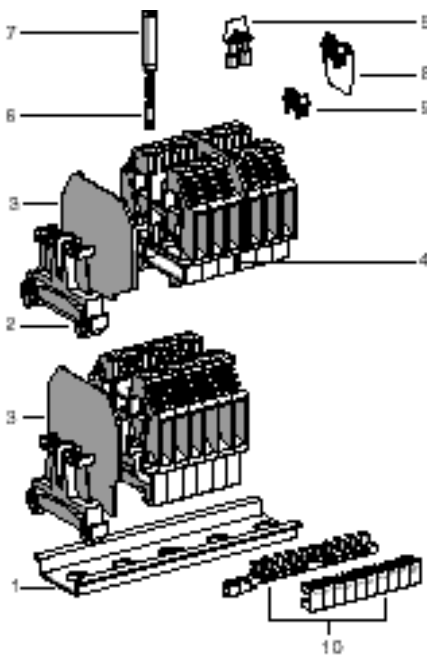
Unit reference	Unit weight g
AM1-ED● (1)	-
AM1-D●● (1)	-
DZ5-MB● (1)	-
AM1-PA● (1)	-
-	-
Fitted as standard	-
-	-
AB1-AT2	1.7
AR2-XA335983	5
-	-
AB1-R● or G● (2)	-

Unit reference	Unit weight g
AM1-ED● (1)	-
AM1-D●● (1)	-
DZ5-MB● (1)	-
AM1-PA● (1)	-
-	-
-	-
DB6-ED04	8
AB1-AT2	1.7
DB6-ED09	5
-	-
AB1-R● or G● (2)	-

Unit reference	Unit weight g
AM1-ED● (1)	-
AM1-D●● (1)	-
DZ5-MB● (1)	-
AM1-PA● (1)	-
-	-
-	-
DB6-FD04	10
AB1-AT2	1.7
DB6-FD09	10
-	-
AB1-R● or G● (2)	-

(1) See page 13300/6.  
(2) See pages 13511/2 and 13511/3.

Type	Screw clamp		Sold in lots of	Weight g	Sold in lots of	Weight g	
Nominal c.s.a.	2.5 mm <sup>2</sup>				4 mm <sup>2</sup>		
Unit reference	(Colour : grey RAL 7032 V0)	<b>AB1-VV215</b>	100	4.2	<b>AB1-VV415</b>	100	5.5
	(Colour : blue)	<b>AB1-VV215BL</b>	100	4.2	-		



### 5 mm pitch

#### Cabling c.s.a. in mm<sup>2</sup>

Flexible cable without cable end : 0.5 to 2.5  
 Flexible cable with cable end : 0.5 to 1.5  
 Solid cable : 0.5 to 4

#### Nominal electrical values

UTE, category C : a 500 V, c 500 V  
 VDE, group C : a 750 V, c 900 V, 25 A

Approvals obtained under the marking Type WKM 4/155L

CSA (600 V), UR (600 V), SEV, DNV, KEMA, UR, LR, FI

### 6 mm pitch

#### Cabling c.s.a. in mm<sup>2</sup>

Flexible cable without cable end : 0.5 to 4  
 Flexible cable with cable end : 0.5 to 2.5  
 Solid cable: 0.5 to 6

#### Nominal electrical values

UTE, category C : a 500 V, c 500 V  
 VDE, group C : a 750 V, c 900 V, 34 A

Approvals obtained under the marking Type WK 4/15

CSA (600 V), NEMKO (500 V), UR (600 V), SEV, DNV, KEMA, VDE, UR, LR, FI

## Accessories

### Dimensions in mm

- 1 - Galvanised "top hat" rail  
Width : 15, height : 5, length : 1000
- 2 - End stop, width 7.5
- 3 - End cover, width : 1.5
- 4 - Partition, thickness : 1.5
- 5 - Commoning link (screw length according to type)  
- for 2 poles
- 6 - Test plug socket
- 7 - Test plug
- 8 - Yellow partition for use between commoning links
- 9 - Yellow protective cover for commoning link
- 10 - Marking accessories

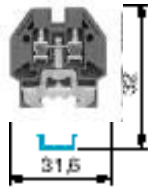
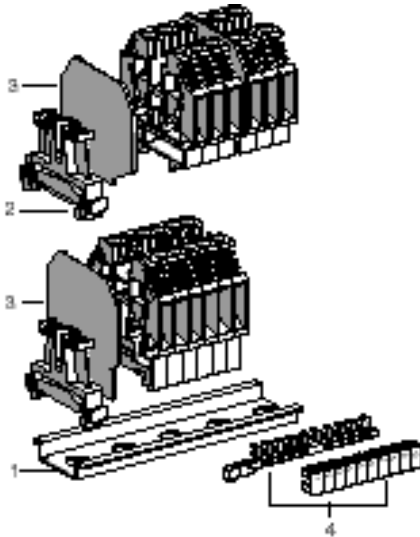
Unit reference	Sold in lots of	Unit weight g
<b>AB1-PC15</b>	10	140
<b>AB1-AB715</b>	100	2.2
<b>AB1-AC2</b>	50	1.3
<b>AB1-AS2</b>	50	1.7
<b>AB1-B22</b>	50	1.6
<b>AB1-A2</b>	50	0.9
<b>AB1-AT1</b>	50	1.7
<b>AB1-CJ215</b>	100	0.6
<b>AB1-CA215</b>	100	0.4
<b>AB1-Rp or Gp (1)</b>		

Unit reference	Sold in lots of	Unit weight g
<b>AB1-PC15</b>	10	140
<b>AB1-AB715</b>	100	2.2
<b>AB1-AC2</b>	50	1.3
<b>AB1-AS2</b>	50	1.7
<b>AB1-B15</b>	10	105
<b>AB1-B2</b>	50	2
<b>AB1-A3</b>	50	0.5
<b>AB1-AT1</b>	50	1.7
<b>AB1-CJ3</b>	100	0.3
<b>AB1-CA3</b>	100	0.1
<b>AB1-Rp or Gp (1)</b>		

(1) See pages 13511/2 and 13511/3.



Type	Protective conductor	Sold in lots of	Weight g
Nominal c.s.a.	2.5-4 mm <sup>2</sup>		
Unit reference (Colour : green/yellow)	AB1-TP215	100	11.7



### 6 mm pitch

#### Cabling c.s.a. in mm<sup>2</sup>

Flexible cable without cable end : 0.5 to 2.5

Flexible cable with cable end : 0.5 to 1.5

Solid cable : 0.5 to 4

#### Nominal electrical values

UTE, category C : a 500 V, c 500 V

VDE, group C : a 750 V, c 900 V, 34 A

#### Approvals obtained under the marking Type WKM

CSA (600 V), NEMKO (500 V), UR (600 V), SEV, DNV, KEMA, VDE, UR, LR, FI

## Accessories

### Dimensions in mm

1 - Galvanised "top hat" rail  
Width : 15, height : 5, length : 1000

2 - End stop, width. 7.5

3 - End cover, thickness : 1.5

4 - Partition, thickness : 1.5

(1) See pages 13511/2 and 13511/3.

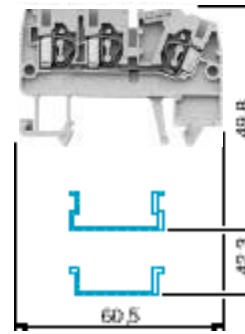
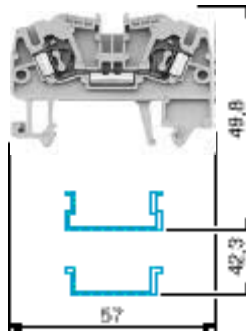
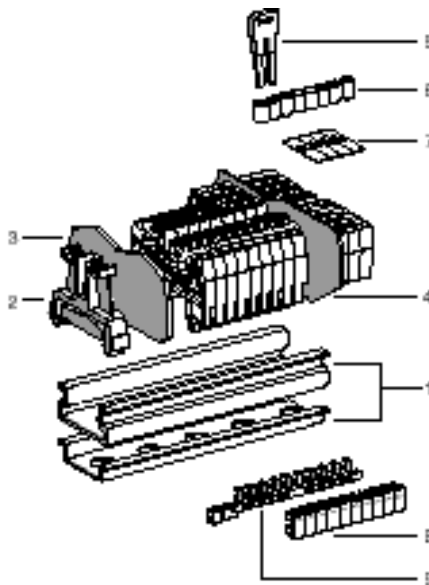
Unit reference	Sold in lots of	Unit weight g
AB1-PC15	10	140
AB1-AB715	100	2.2
AB1-CT215	50	2
AB1-Rp ou Gp (1)		

# Terminal blocks

## Spring type

### Clip-on mounting on 1 7 rails

Nominal c.s.a.		2.5 mm <sup>2</sup>	Sold in lots of	Weight g	2.5 mm <sup>2</sup>	Sold in lots of	Weight g
Unit reference	(Colour : grey RAL 7032 V0)	<b>AB1-RR235U2GR</b>	100	6.9	<b>AB1-RR235U3GR</b>	100	7.9
	(Colour : blue)	<b>AB1-RR235U2BL</b>	100	6.9	<b>AB1-RR235U3BL</b>	100	7.9



#### 5 mm pitch

Cable stripping length : 11 mm

#### Cabling c.s.a. in mm<sup>2</sup>

Flexible cable without cable end : 0.5 to 2.5  
Flexible cable with cable end : 0.5 to 1.5  
Solid cable : 0.5 to 4

#### Nominal electrical values

UTE, category C : a 500 V, c 500 V  
VDE, group C : a 750 V, c 900 V, 26 A

#### Approvals

CSA, SEMKO, DEMKO, NEMKO, VDE, OVE, GL, DNV, LROS, FI, KEMA, BV, ASEV, EEX, FIMKO, RINA

Unit reference	Sold in lots of	Unit weight g
<b>AM1-EDp</b>		
<b>AM1-DEp</b>		
<b>AB1-AB8P35</b>	100	4.2
<b>AB1-AB8M35</b>	100	7
<b>AB1-RRAC242GR</b>	10	3.2
<b>AB1-RRAC242BL</b>	10	3.2
<b>AB1-RRAS242GR</b>	10	3.2
<b>AB1-RRAS242BL</b>	10	3.2
<b>AB1-RRAL22</b>	10	1.1
<b>AB1-RRAL23</b>	10	1.6
<b>AB1-RRAL24</b>	10	2.1
<b>AB1-RRAL25</b>	10	2.7
<b>AB1-RRAL210</b>	20	5.4
<b>AB1-RRGF01</b>	100	0.6
<b>AB1-RRGF02</b>	100	0.6
<b>AB1-RRGF03</b>	100	0.6
<b>AB1-RRCS2</b>	100	0.2
<b>AB1-B5ppp (1)</b>		
<b>AB1-Rp or Gp (1)</b>		
<b>AB1-SAp (1)</b>		

#### 5 mm pitch

Cable stripping length : 11 mm

#### Cabling c.s.a. in mm<sup>2</sup>

Flexible cable without cable end : 0.5 to 2.5  
Flexible cable with cable end : 0.5 to 1.5  
Solid cable : 0.5 to 4

#### Nominal electrical values

UTE, category C : a 500 V, c 500 V  
VDE, group C : a 750 V, c 900 V, 26 A

#### Approvals

CSA, SEMKO, DEMKO, NEMKO, VDE, OVE, GL, DNV, LROS, FI, KEMA, BV, ASEV, EEX, FIMKO, RINA

Unit reference	Sold in lots of	Unit weight g
<b>AM1-DEp</b>		
<b>AB1-AB8P35</b>	100	4.2
<b>AB1-AB8M35</b>	100	7
<b>AB1-RRAC243GR</b>	10	3.6
<b>AB1-RRAC243BL</b>	10	3.6
<b>AB1-RRAS243GR</b>	10	3.6
<b>AB1-RRAS243BL</b>	10	3.6
<b>AB1-RRAL22</b>	10	1.1
<b>AB1-RRAL23</b>	10	1.6
<b>AB1-RRAL24</b>	10	2.1
<b>AB1-RRAL25</b>	10	2.7
<b>AB1-RRAL210</b>	20	5.4
<b>AB1-RRGF01</b>	100	0.6
<b>AB1-RRGF02</b>	100	0.6
<b>AB1-RRGF03</b>	100	0.6
<b>AB1-RRCS2</b>	100	0.2
<b>AB1-B5ppp (1)</b>		
<b>AB1-Rp or Gp (1)</b>		
<b>AB1-SAp (1)</b>		

### Accessories

Dimensions in mm

1 - 1 rail		<b>AM1-EDp</b>	
1 - 7 rail		<b>AM1-DEp</b>	
2 - Plastic end stop		<b>AB1-AB8P35</b>	100 4.2
2 - Metal end stop		<b>AB1-AB8M35</b>	100 7
3 - End cover		<b>AB1-RRAC242GR</b>	10 3.2
		<b>AB1-RRAC242BL</b>	10 3.2
4 - Partition		<b>AB1-RRAS242GR</b>	10 3.2
		<b>AB1-RRAS242BL</b>	10 3.2
5 - Insulated commoning link	2 poles	<b>AB1-RRAL22</b>	10 1.1
	3 poles	<b>AB1-RRAL23</b>	10 1.6
	4 poles	<b>AB1-RRAL24</b>	10 2.1
	5 poles	<b>AB1-RRAL25</b>	10 2.7
	10 poles	<b>AB1-RRAL210</b>	20 5.4
6 - Wire guide	0.13 - 0.2 mm <sup>2</sup>	<b>AB1-RRGF01</b>	100 0.6
	0.25 - 0.5 mm <sup>2</sup>	<b>AB1-RRGF02</b>	100 0.6
	0.75 - 1 mm <sup>2</sup>	<b>AB1-RRGF03</b>	100 0.6
7 - "Danger" live terminals cover		<b>AB1-RRCS2</b>	100 0.2
8 - Printed terminal marker strips		<b>AB1-B5ppp (1)</b>	
9 - Printed terminal marker tag strips		<b>AB1-Rp or Gp (1)</b>	
10 - Blank legend plate		<b>AB1-SAp (1)</b>	

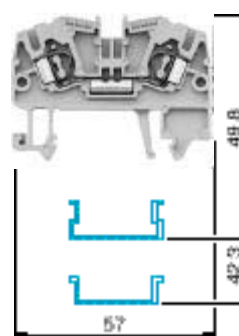
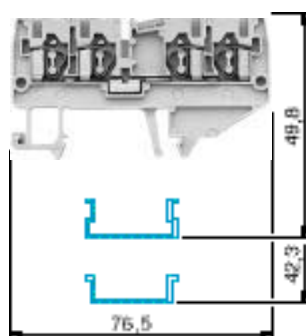
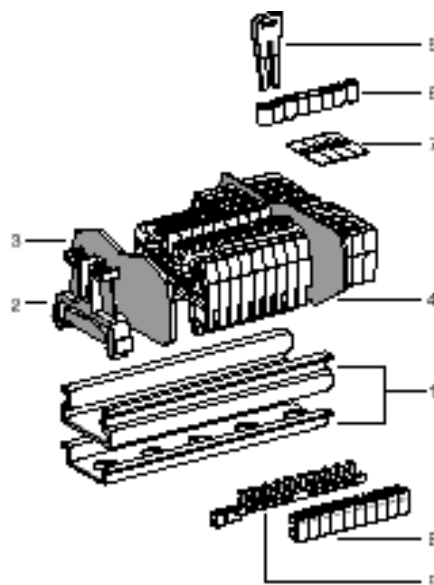
(1) See pages 13511/2 and 13511/3 (Marking accessories).

# Terminal blocks

Spring type

## Clip-on mounting on 1 7 rails

Nominal c.s.a.	2.5 mm <sup>2</sup>	Sold in lots of	Weight g	4 mm <sup>2</sup>	Sold in lots of	Weight g
Unit reference ( Colour : grey RAL 7032V0)	<b>AB1-RR235U4GR</b>	100	8	<b>AB1-RR435U2GR</b>		8.8
(Colour : blue)	<b>AB1-RR235U4BL</b>	100	8	<b>AB1-RR435U2BL</b>		8.8



### 5 mm pitch

Cable stripping length : 11 mm

Cabling c.s.a. in mm<sup>2</sup>

Flexible cable without cable end : 0.5 to 2.5

Flexible cable with cable end : 0.5 to 1.5

Solid cable : 0.5 to 4

Nominal electrical values

UTE, category C : a 500 V, c 500 V

VDE, group C : a 750 V, c 900 V, 26 A

Approvals

CSA, SEMKO, DEMKO, NEMKO, VDE, OVE, GL, DNV, LROS, FI, KEMA, BV, ASEV, EEX, FIMKO, RINA

### 6 mm pitch

Cable stripping length : 11 mm

Cabling c.s.a. in mm<sup>2</sup>

Flexible cable without cable end : 0.5 to 4

Flexible cable with cable end : 0.5 to 2.5

Solid cable : 0.5 to 6

Nominal electrical values

UTE, category C : a 500 V, c 500 V

VDE, group C : a 750 V, c 900 V, 35 A

Approvals

CSA, SEMKO, DEMKO, NEMKO, VDE, OVE, GL, DNV, LROS, FI, KEMA, BV, ASEV, EEX, FIMKO, RINA

## Accessories

Dimensions in mm

1 - 1 rail

1 - 7 rail

2 - Plastic end stop

2 - Metal end stop

3 - End cover

4 - Partition

5 - Insulated commoning link

2 poles

3 poles

4 poles

5 poles

10 poles

6 - Wire guide

0.13 - 0.2 mm<sup>2</sup>

0.25 - 0.5 mm<sup>2</sup>

0.75 - 1 mm<sup>2</sup>

7 - "Danger" live terminals cover

8 - Printed terminal marker strips

9 - Printed terminal marker tag strips

10 - Blank legend plate

Unit reference	Sold in lots of	Unit weight g
<b>AM1-EDp</b>		
<b>AM1-DEp</b>		
<b>AB1-AB8P35</b>	100	4.2
<b>AB1-AB8M35</b>	100	7
<b>AB1-RRAC244GR</b>	10	4.4
<b>AB1-RRAC244BL</b>	10	4.4
<b>AB1-RRAS244GR</b>	10	4.4
<b>AB1-RRAS244BL</b>	10	4.4
<b>AB1-RRAL22</b>	10	1.1
<b>AB1-RRAL23</b>	10	1.6
<b>AB1-RRAL24</b>	10	2.1
<b>AB1-RRAL25</b>	10	2.7
<b>AB1-RRAL210</b>	20	5.4
<b>AB1-RRGF01</b>	100	0.6
<b>AB1-RRGF02</b>	100	0.6
<b>AB1-RRGF03</b>	100	0.6
<b>AB1-RRCS2</b>	100	0.2
<b>AB1-B5ppp (1)</b>		
<b>AB1-Rp or Gp (1)</b>		
<b>AB1-SA p (1)</b>		

Unit reference	Sold in lots of	Unit weight g
<b>AM1-EDp</b>		
<b>AM1-DEp</b>		
<b>AB1-AB8P35</b>	100	4.2
<b>AB1-AB8M35</b>	100	7
<b>AB1-RRAC242GR</b>	10	3.2
<b>AB1-RRAC242BL</b>	10	3.2
<b>AB1-RRAS242GR</b>	10	3.2
<b>AB1-RRAS242BL</b>	10	3.2
<b>AB1-RRAL42</b>	10	1.6
<b>AB1-RRAL43</b>	10	2.4
<b>AB1-RRAL44</b>	10	3.2
<b>AB1-RRAL45</b>	10	4
<b>AB1-RRAL410</b>	20	8
<b>AB1-RRGF01</b>	100	0.6
<b>AB1-RRGF02</b>	100	0.6
<b>AB1-RRGF03</b>	100	0.6
<b>AB1-RRCS4</b>	100	0.25
<b>AB1-B6ppp (1)</b>		
<b>AB1-Rp or Gp (1)</b>		
<b>AB1-SA p (1)</b>		

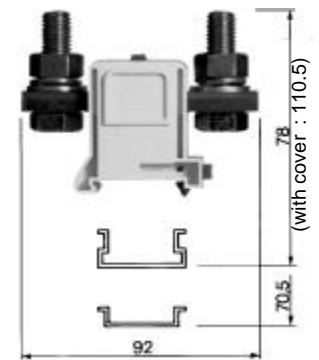
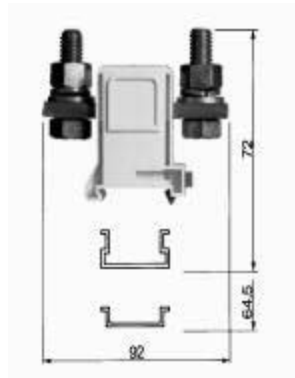
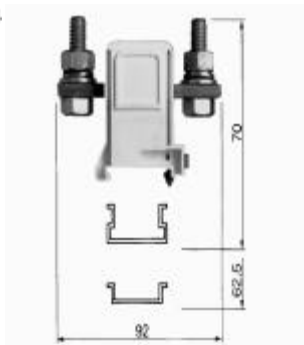
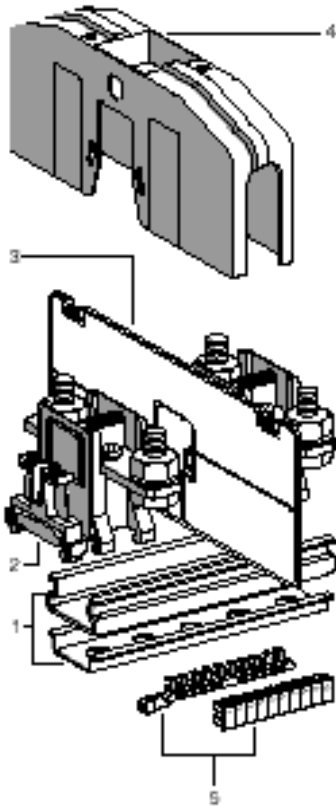
(1) See pages 13511/2 and 13511/3 (Marking accessories).

# Terminal blocks

Lug-lug type

## Clip-on mounting on 1 7 rails

Nominal c.s.a.	95 mm <sup>2</sup>	185 mm <sup>2</sup>	240 mm <sup>2</sup>
Unit reference (Colour : grey RAL 7032 V0)	AB1-BB9535	AB1-BB18535	AB1-BB24035




Sold in lots of 10  
Unit weight : 169 g  
32 mm pitch

M10 fixing bolt

Cabling c.s.a.  
Bar : 5 x 18 mm  
Flexible cable : up to 95 mm<sup>2</sup>  
Solid cable : up to 95 mm<sup>2</sup>

Nominal electrical values  
UTE, category C : a 500 V, c 500 V  
VDE, gr. C : a 1000 V, c 1200 V 250 A

Approvals obtained under the marking   
Type RFK 1/95 FM S35

CSA (600 V), NEMKO (500V), UR (600V) DNV, USSR, GL, KEMA, SEV, LR


Unit reference	Unit weight g
AM1-EDp (1)	
AM1-Dpp (1)	
AB1-AB8P35	5.9
AB1-AB8M35	7
AB1-CT1	34
AB1-CP1	55
AB1-Rp or Gp (2)	

Sold in lots of 10  
Unit weight : 250 g  
42 mm pitch

M12 fixing bolt

Cabling c.s.a.  
Bar : 6 x 26 mm  
Flexible cable : up to 185 mm<sup>2</sup>  
Solid cable : up to 185 mm<sup>2</sup>

Nominal electrical values  
UTE, category C : a 500 V, c 500 V  
VDE, gr. C : a 1000 V, c 1200 V 382 A

Approvals obtained under the marking   
Type RFK 1/185 FM S35

CSA (600 V), UR (600 V), DNV, USSR, KEMA, NEMKO, LR


Unit reference	Unit weight g
AM1-EDp (1)	
AM1-Dpp (1)	
AB1-AB8P35	5.9
AB1-AB8M35	7
AB1-CT2	37
AB1-CP2	90
AB1-Rp or Gp (2)	

Sold in lots of 10  
Unit weight : 265 g  
42 mm pitch

M12 fixing bolt

Cabling c.s.a.  
Bar : 8 x 26 mm  
Flexible cable : up to 240 mm<sup>2</sup>  
Solid cable : up to 240 mm<sup>2</sup>

Nominal electrical values  
UTE, category C : a 500 V, c 500 V  
VDE, gr. C : a 1000 V, c 1200 V 453 A

Approvals obtained under the marking   
Type RFK 1/240 FM S35

CSA (600 V), UR (600V), DNV, USSR, KEMA, SEV, NEMKO, LR

Unit reference	Unit weight g
AM1-EDp (1)	
AM1-Dpp (1)	
AB1-AB8P35	5.9
AB1-AB8M35	7
AB1-CT2	37
AB1-CP2	90
AB1-Rp or Gp (2)	

### Accessories

Dimensions in mm

1 - 1 rail (1)
1 - 7 rail (1)
2 - Plastic end stop, width 8 (5)
2 - Metal end stop, width 8 (5)
3 - Partition (3)
4 - Protective cover (4)
5 - Marking accessories

(1) See page 13300/6.

(2) See pages 13511/2 and 13511/3.

(3) AB1-CT1 : 70 x 180 x 4.5 ; AB1-CT2 : 70 x 200 x 4.5. Sold in lots of 50.

(4) AB1-CP1 : 69 x 174 x 32 ; AB1-CP2 : 93 x 194 x 42. Sold in lots of 10.

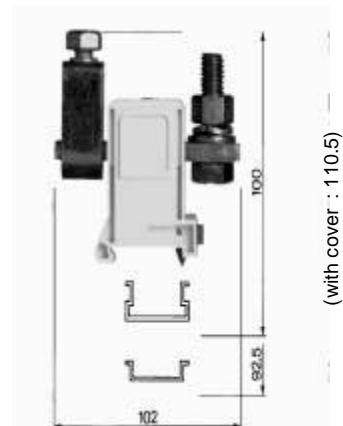
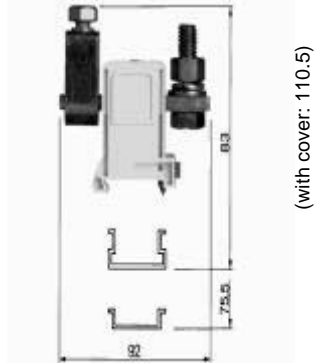
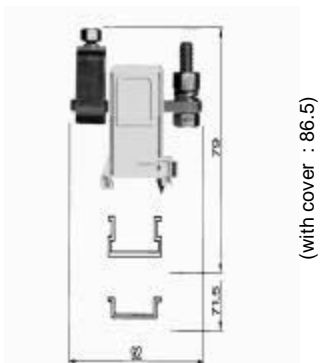
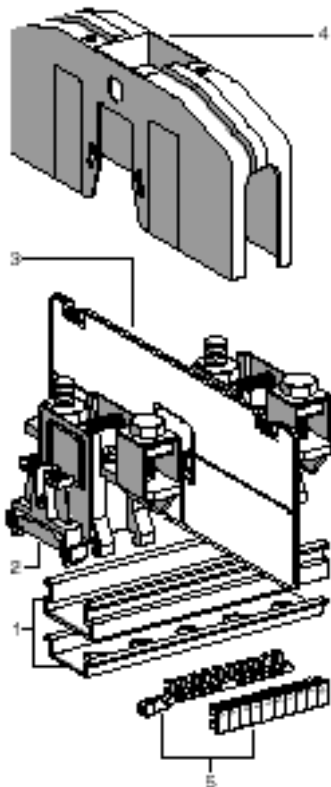
(5) Sold in lots of 100.

# Terminal blocks

Lug-clamp type

## Clip-on mounting on 1 7 rails

Nominal c.s.a.	95 mm <sup>2</sup>	150 mm <sup>2</sup>	240 mm <sup>2</sup>
Unit reference (Colour : grey RAL 7032 V0)	AB1-BC9535	AB1-BC15035	AB1-BC24035



Sold in lots of 10

Unit weight : 236 g

32 mm pitch

M10 fixing bolt

Cabling c.s.a.

Bar : 5 x 18 mm

Flexible cable : 16 to 95 mm<sup>2</sup>

Solid cable : 16 to 95 mm<sup>2</sup>

Nominal electrical values

UTE, category C : a 500 V, c 500 V  
VDE, gr. C : a 1000 V, c 1200 V 250 A

Approvals obtained under the marking

Type RFK 1/95 FMK S35

CSA (600 V), UR (600 V), NEMKO, DNV, USSR, KEMA, LR, SEV, GL

Unit reference	Unit weight
AM1-EDp (1)	g
AM1-Dpp (1)	g
AB1-AB8P35	5.9
AB1-AB8M35	7
AB1-CT1	34
AB1-CP1	55
AB1-Rp or Gp (2)	g

Sold in lots of 10

Unit weight : 277 g

42 mm pitch

M12 fixing bolt

Cabling c.s.a.

Bar : 6 x 26 mm

Flexible cable : 25 to 150 mm<sup>2</sup>

Solid cable : 25 to 150 mm<sup>2</sup>

Nominal electrical values

UTE, category C : a 500 V, c 500 V  
VDE, gr. C : a 1000 V, c 1200 V 335 A

Approvals obtained under the marking

Type RFK 1/150 FMK S35

CSA (600 V), UR (600 V), DNV, USSR, KEMA, SEV, NEMKO, LR

Unit reference	Unit weight
AM1-EDp (1)	g
AM1-Dpp (1)	g
AB1-AB8P35	5.9
AB1-AB8M35	7
AB1-CT2	37
AB1-CP2	90
AB1-Rp or Gp (2)	g

Sold in lots of 10

Unit weight : 287 g

42 mm pitch

M12 fixing bolt

Cabling c.s.a.

Bar : 8 x 26 mm

Flexible cable : 35 to 240 mm<sup>2</sup>

Solid cable : 35 to 240 mm<sup>2</sup>

Nominal electrical values

UTE, category C : a 500 V, c 500 V  
VDE, gr. C : a 1000 V, c 1200 V 453 A

Approvals obtained under the marking

Type RFK 1/240 FMK S35

CSA (600 V), DNV, USSR, KEMA, SEV, NEMKO, LR, UR

Unit reference	Unit weight
AM1-EDp (1)	g
AM1-Dpp (1)	g
AB1-AB8P35	5.9
AB1-AB8M35	7
AB1-CT2	37
AB1-CP2	90
AB1-Rp or Gp (2)	g

### Accessories

Dimensions in mm

1 - 1 rail (1)
1 - 7 rail (1)
2 - Plastic end stop, width 8 (5)
2 - Metal end stop, width 8 (5)
3 - Partition (3)
4 - Protective cover (4)
5 - Marking accessories

(1) See page 13300/6.

(2) See pages 13511/2 and 13511/3.

(3) AB1-CT1 : 70 x 180 x 4.5 ; AB1-CT2 : 70 x 200 x 4.5. Sold in lots of 50.

(4) AB1-CP1 : 69 x 174 x 32 ; AB1-CP2 : 93 x 194 x 42. Sold in lots of 10.

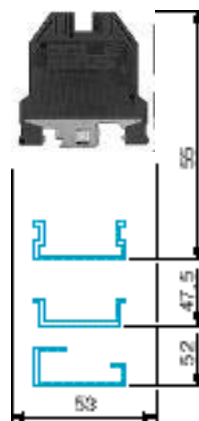
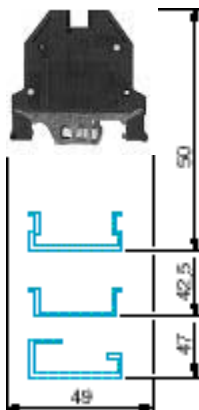
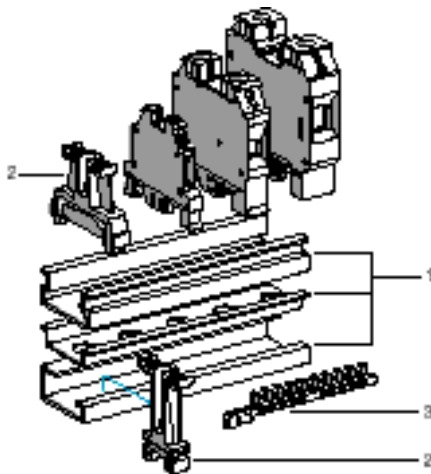
(5) Sold in lots of 100.

# Terminal blocks

Protective earth

## Clip-on mounting on 1 7 4 rails

Nominal c.s.a.	4 mm <sup>2</sup>	6 mm <sup>2</sup>
Unit reference (Colour : green/yellow)	<b>AB1-TP435U</b>	<b>AB1-TP635U</b>



Sold in lots of 100  
Unit weight : 25 g  
**6 mm pitch**


Sold in lots of 100  
Unit weight : 42 g  
**8 mm pitch**


Cabling c.s.a. in mm<sup>2</sup>  
Flexible cable without cable end : 0.5 to 4  
Flexible cable with cable end : 0.5 to 2.5  
Solid cable : 0.5 to 6

Cabling c.s.a. in mm<sup>2</sup>  
Flexible cable without cable end : 0.5 to 6  
Flexible cable with cable end : 0.5 to 6  
Solid cable : 0.5 to 10

Nominal electrical values  
VDE, group C : a 750 V, c 900 V

Nominal electrical values  
VDE, group C : a 750 V, c 900 V

Approvals obtained under the marking   
Type WK 4 SL/32, WK 4 SL/35

Approvals obtained under the marking   
Type WK 6 SL/32, WK 6 SL/35

CSA (600 V), NEMKO (500 V), UR (600 V), EEX, DNV, USSR, KEMA, SEMKO, LCIE, CEPEC, GL, SEV, RINA, FI

CSA (600 V), NEMKO (500 V), UR (600 V), DNV, USSR, KEMA, SEMKO, LCIE, FI, CEPEC, GL, SEV, RINA, EEX

### Accessories

Dimensions in mm

1 - 1 rail (1)	<b>AM1-EDp</b> (1)
1 - 7 rail (1)	<b>AM1-Dpp</b> (1)
1 - 4 rail (1)	<b>DZ5-MBp</b> (1)
2 - Plastic end stops	width 7.5 on 4 width 8 on 1 or 7
2 - Metal end stops	width 10 on 4 width 8 on 1 or 7
3 - Marking accessories	

Unit reference	Sold in lots of	Unit weight g
<b>AB1-AB7P32</b>	100	4.2
<b>AB1-AB8P35</b>	100	5.9
<b>AB1-AB10M32</b>	100	6.5
<b>AB1-AB8M35</b>	100	7
<b>AB1-Rp or Gp</b> (2)		

Unit reference	Sold in lots of	Unit weight g
<b>AM1-EDp</b> (1)		
<b>AM1-Dpp</b> (1)		
<b>DZ5-MBp</b> (1)		
<b>AB1-AB7P32</b>	100	4.2
<b>AB1-AB8P35</b>	100	5.9
<b>AB1-AB10M32</b>	100	6.5
<b>AB1-AB8M35</b>	100	7
<b>AB1-Rp or Gp</b> (2)		

(1) See page 13300/6.

(2) See pages 13511/2 and 13511/3.

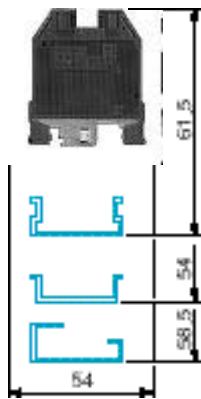
# Terminal blocks

Protective earth

## Clip-on mounting on 1 7 4 rails

10 mm<sup>2</sup>

AB1-TP1035U



Sold in lots of 50

Unit weight : 57 g

10 mm pitch

Cabling c.s.a. in mm<sup>2</sup>

Flexible cable without cable end : 1 to 10

Flexible cable with cable end : 1 to 10

Solid cable : 1 to 16

Nominal electrical values

VDE, group C : a 750 V, c 900 V

Approvals obtained under the marking Type WK 10 SL/32, WK 10 SL/35

CSA (600 V), NEMKO (500 V), UR (600 V), DNV, USSR, KEMA, SEMKO, LCIE, FI, SEV, RINA, LR, CEBEC, EEX

Unit reference	Sold in lots of	Unit weight g
----------------	-----------------	---------------

AM1-EDp (1)

AM1-Dpp (1)

DZ5-MBp (1)

AB1-AB7P32 100 4.2

AB1-AB8P35 100 5.9

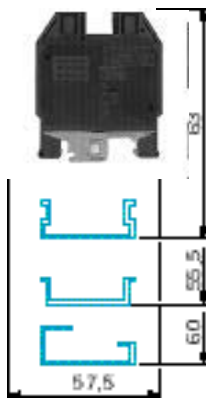
AB1-AB10M32 100 6.5

AB1-AB8M35 100 7

AB1-Rp or Gp (2)

16 mm<sup>2</sup>

AB1-TP1635U



Sold in lots of 50

Unit weight : 76 g

12 mm pitch

Cabling c.s.a. in mm<sup>2</sup>

Flexible cable without cable end : 2.5 to 16

Flexible cable with cable end : 2.5 to 16

Solid cable : 6 to 25

Nominal electrical values

VDE, group C : a 750 V, c 900 V

Approvals obtained under the marking Type WK 16 SL/32, WK 16 SL/35

CSA (600 V), NEMKO (500 V), UR (600 V), DNV, USSR, KEMA, SEMKO, LCIE, FI, SEV, RINA, LR, CEBEC, EEX

Unit reference	Sold in lots of	Unit weight g
----------------	-----------------	---------------

AM1-EDp (1)

AM1-Dpp (1)

DZ5-MBp (1)

AB1-AB7P32 100 4.2

AB1-AB8P35 100 5.9

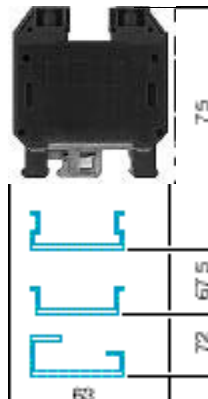
AB1-AB10M32 100 6.5

AB1-AB8M35 100 7

AB1-Rp or Gp (2)

35 mm<sup>2</sup>

AB1-TP3535U



Sold in lots of 20

Unit weight : 127 g

16 mm pitch

Cabling c.s.a. in mm<sup>2</sup>

Flexible cable without cable end : 6 to 35

Flexible cable with cable end : 6 to 35

Solid cable : 10 to 50

Nominal electrical values

VDE, group C : a 750 V, c 900 V

Approvals obtained under the marking Type WK 35 SL/32, WK 35 SL/35

CSA (600 V), NEMKO (500 V), UR (600 V), DNV, USSR, KEMA, SEMKO, LCIE, FI, SEV, RINA, LR, CEBEC, EEX

Unit reference	Sold in lots of	Unit weight g
----------------	-----------------	---------------

AM1-EDp (1)

AM1-Dpp (1)

DZ5-MBp (1)

AB1-AB7P32 100 4.2

AB1-AB8P35 100 5.9

AB1-AB10M32 100 6.5

AB1-AB8M35 100 7

AB1-Rp or Gp (2)

(1) See page 13300/6.

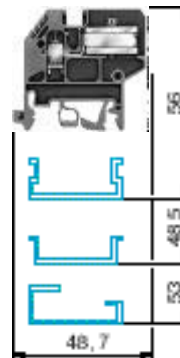
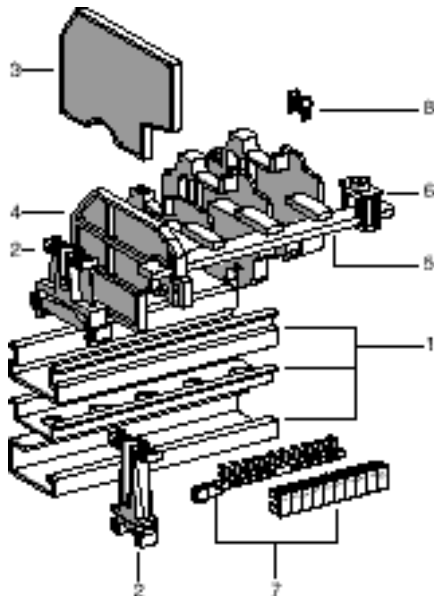
(2) See pages 13511/2 and 13511/3.

# Terminal blocks

Neutral conductors

## Clip-on mounting on 1 7 4 rails

Nominal c.s.a.		4 and 6 mm <sup>2</sup>	Sold in lots of	Weight g
Unit reference	(Colour : blue)	AB1-NEN435U	100	14.7



### 6 mm pitch

Cabling c.s.a. in mm<sup>2</sup>

Flexible cable without cable end : 0.5 to 4

Flexible cable with cable end : 0.5 to 2.5

Solid cable : 0.5 to 6

Nominal electrical values

UTE, category C : a 250 V, c 250 V

VDE, group C : a 380 V, c 450 V 25 A (4 mm<sup>2</sup>)

VDE, group C : a 380 V, c 450 V 30 A (6 mm<sup>2</sup>)

Approvals obtained under the marking ■

Type WKN 4 ETK/U

NEMKO (500 V), SEV, EEX, UR

### Accessories

Dimensions in mm

1 - 1 rail (1)

1 - 7 rail (1)

1 - 4 rail (1)

2 - Plastic end stops width 7.5 on 4

width 8 on 1 and 7

2 - Metal end stops width 10 on 4 and 7

width 8 on 1 and 7

3 - End cover, thickness : 1.5

4 - Support for neutral bar

5 - Copper bar 10 x 3, length 1000

6 - Stirrup clamp for 10 x 3 bar :

16 mm<sup>2</sup>, 8.5 pitch

35 mm<sup>2</sup>, 14.3 pitch

7 - Marking accessories

Unit reference	Sold in lots of	Unit weight g
AM1-EDp (1)		
AM1-Dpp (1)		
DZ5-MBp (1)		
AB1-AB7P32	100	4.2
AB1-AB8P35	100	5.9
AB1-AB10M32	100	6.5
AB1-AB8M35	100	7
AB1-TNN4	10	2.5
AB1-SBN	10	5.2
AB1-PC3	10	298
AB1-EBN16	100	8.9
AB1-EBN35	100	19.5
AB1-Rp or Gp (2)		
AB1-B6		

(1) See page 13300/6.

(2) See pages 13511/2 and 13511/3.

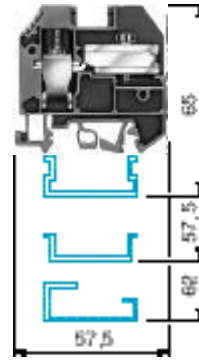
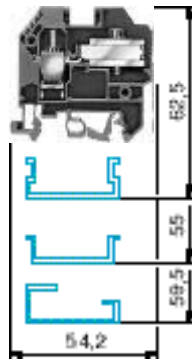
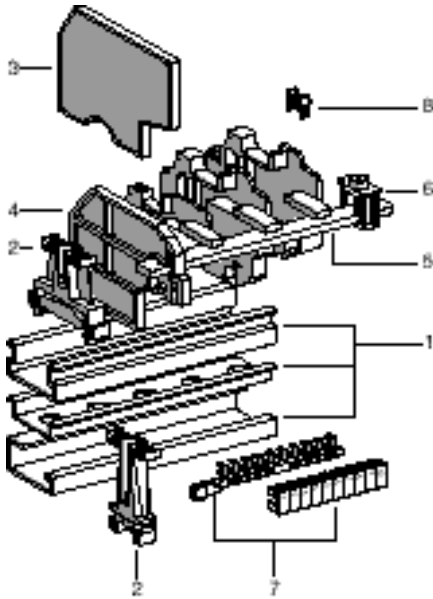


# Terminal blocks

Neutral conductors

## Clip-on mounting on 1 7 4 rails


Nominal c.s.a.	10 and 16 mm <sup>2</sup>	Sold in lots of	Weight g	16 and 25 mm <sup>2</sup>	Sold in lots of	Weight g
Unit reference	(Colour : blue) <b>AB1-NEN1035U</b>	50	31.7	<b>AB1-NEN1635U</b>	50	45.2



### 10 mm pitch

Cabling c.s.a. in mm<sup>2</sup>  
 Flexible cable without cable end : 1 to 10  
 Flexible cable with cable end : 1 to 10  
 Solid cable : 1 to 16

Nominal electrical values  
 UTE, category C : a 250 V, c 250 V  
 VDE, group C : a 380 V, c 450 V 45 A (10 mm<sup>2</sup>)  
 VDE, group C : a 380 V, c 450 V 50 A (16 mm<sup>2</sup>)


Approvals obtained under the marking   
 Type WKN 10 ETU/U

NEMKO (500 V), SEV, UR

### 12 mm pitch

Cabling c.s.a. in mm<sup>2</sup>  
 Flexible cable without cable end : 1 to 16  
 Flexible cable with cable end : 1 to 16  
 Solid cable : 10 to 25

Nominal electrical values  
 UTE, category C : a 250 V, c 250 V  
 VDE, group C : a 380 V, c 450 V 62 A (16 mm<sup>2</sup>)  
 VDE, group C : a 380 V, c 450 V 67 A (25 mm<sup>2</sup>)

Approvals obtained under the marking   
 Type WKN 16 ETU/U

NEMKO (500 V), SEV, UR

## Accessories

### Dimensions in mm

1 - 1 rail (1)	
1 - 7 rail (1)	
1 - 4 rail (1)	
2 - Plastic end stops	width 7.5 on 4 width 8 on 1 and 7
2 - Metal end stops	width 10 on 4 and 7 width 8 on 1 and 7
3 - End cover, thickness 1.5	
4 - Support for neutral bar	
5 - Copper bar 10 x 3, length 1000	
6 - Stirrup clamp for 10 x 3 bar :	16 mm <sup>2</sup> , 8.5 pitch 35 mm <sup>2</sup> , 14.3 pitch
7 - Marking accessories	

Unit reference	Sold in lots of	Unit weight g
<b>AM1-EDp</b> (1)		
<b>AM1-Dpp</b> (1)		
<b>DZ5-MBp</b> (1)		
<b>AB1-AB7P32</b>	100	4.2
<b>AB1-AB8P35</b>	100	5.9
<b>AB1-AB10M32</b>	100	6.5
<b>AB1-AB8M35</b>	100	7
<b>AB1-TNN10</b>	10	2.5
<b>AB1-SBN</b>	10	5.2
<b>AB1-PC3</b>	10	298
<b>AB1-EBN16</b>	100	8.9
<b>AB1-EBN35</b>	100	19.5
<b>AB1-Rp or Gp</b> (2)		

Unit reference	Sold in lots of	Unit weight g
<b>AM1-EDp</b> (1)		
<b>AM1-Dpp</b> (1)		
<b>DZ5-MBp</b> (1)		
<b>AB1-AB7P32</b>	100	4.2
<b>AB1-AB8P35</b>	100	5.9
<b>AB1-AB10M32</b>	100	6.5
<b>AB1-AB8M35</b>	100	7
<b>AB1-TNN16</b>	10	3.4
<b>AB1-SBN</b>	10	5.2
<b>AB1-PC3</b>	10	298
<b>AB1-EBN16</b>	100	8.9
<b>AB1-EBN35</b>	100	19.5
<b>AB1-Rp or Gp</b> (2)		

(1) See page 13300/6.

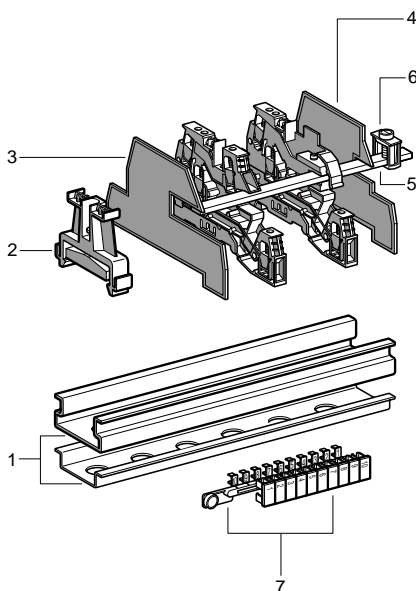
(2) See pages 13511/2 and 13511/3.

# Terminal blocks

## Multifunction type

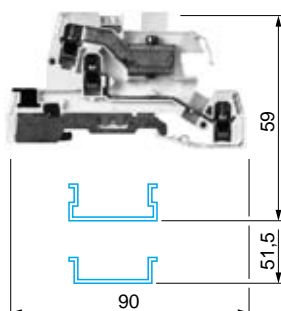
### Clip-on mounting on 25 rails

Disconnectable neutral (blue)  
Protective earth  
(green/yellow)  
Screw clamp connection



Nominal c.s.a. **2.5 mm<sup>2</sup>**  
Unit reference (Colour: grey RAL 7032 V0) **AB1-TRSN435**

Sold in lots of **50** Weight **28 g**



#### 6 mm pitch

Cabling c.s.a. in mm<sup>2</sup>  
Flexible cable without cable end: 0.5 to 4  
Flexible cable with cable end: 0.5 to 2.5  
Solid cable: 0.5 to 6

Nominal electrical values  
UTE, category C: ~ 250 V, = 250 V  
VDE, group C: ~ 380 V, = 380 V 26 A

Approvals obtained under the marking Type WIK 4 NT, D, SL, UR

#### Accessories

Dimensions in mm

- 1 - 25 rail (1)
- 1 - rail (1)
- 2 - Plastic end stop, width 8
- 2 - Metal end stop, width 8
- 3 - Partition
- 4 - End cover, thickness 2
- 5 - Copper bar 10 x 3, length 1000
- 6 - Stirrup clamp for 10 x 3 bar:
  - 16 mm<sup>2</sup>, 8.5 pitch
  - 35 mm<sup>2</sup>, 14.3 pitch
- 7 - Marking accessories

Unit reference **AB1-ED● (1)** Sold in lots of **100** Unit weight **5.9 g**

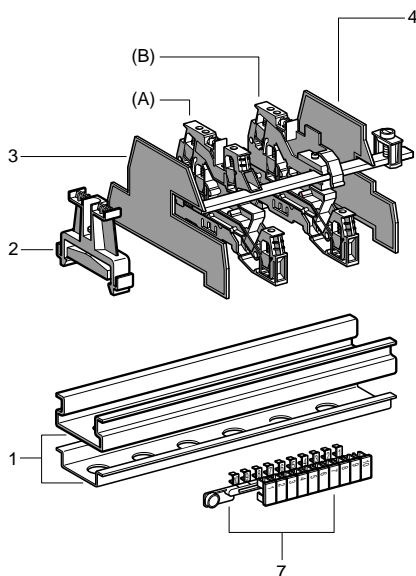
**AB1-D●● (1)** Sold in lots of **100** Unit weight **7 g**  
**AB1-AB8P35** Sold in lots of **25** Unit weight **3.7 g**  
**AB1-AB8M35** Sold in lots of **25** Unit weight **3.1 g**  
**AB1-TM1N** Sold in lots of **10** Unit weight **268 g**  
**AB1-SM1N** Sold in lots of **100** Unit weight **8.9 g**  
**AB1-PC3** Sold in lots of **100** Unit weight **19.5 g**

**AB1-EBN16** Sold in lots of **100** Unit weight **19.5 g**  
**AB1-EBN35** Sold in lots of **100** Unit weight **19.5 g**  
**AB1-R● or G● (2)**

(A) Screw clamp connection: 2 phases + protective earth terminal (green/yellow)

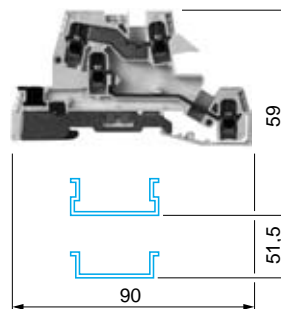
(B) Screw clamp connection: 1 neutral (blue) + 1 phase + protective earth (green/yellow)

(C) Screw clamp connection: 1 neutral + 1 phase + protective earth.  
"Fault" diode between phase/neutral (110...220 V)



Nominal c.s.a. **2.5 mm<sup>2</sup>**  
Unit reference (Colour: grey RAL 7032 V0) **AB1-TRPN435 (A)**

Sold in lots of **50** Weight **28 g**



#### 6 mm pitch

Cabling c.s.a. in mm<sup>2</sup>  
Flexible cable without cable end : 0.5 to 4  
Flexible cable with cable end : 0.5 to 2.5  
Solid cable : 0.5 to 6

Nominal electrical values  
UTE, category C : ~ 250 V, = 250 V  
VDE, group C : ~ 380 V, = 380 V 26 A

Approvals obtained under the marking (A) Type WIK 4 D, D, SL.  
(B) Type WIK 4 N, D, SL.

#### Accessories

Dimensions in mm

- 1 - 25 rail (1)
  - 1 - rail (1)
  - 2 - Plastic end stop, width 8
  - 2 - Metal end stop, width 8
  - 3 - Partition
  - 4 - End cover, thickness 2
  - 5 - Marking accessories
- (1) See page 13300/6.  
(2) See pages 13511/2 and 13511/3.

Unit reference **AB1-ED● (1)** Sold in lots of **100** Unit weight **5.9 g**

**AB1-D●● (1)** Sold in lots of **100** Unit weight **7 g**  
**AB1-AB8P35** Sold in lots of **25** Unit weight **3.7 g**  
**AB1-AB8M35** Sold in lots of **25** Unit weight **3.1 g**  
**AB1-TM1N** Sold in lots of **10** Unit weight **268 g**  
**AB1-SM1N** Sold in lots of **100** Unit weight **8.9 g**  
**AB1-EBN16** Sold in lots of **100** Unit weight **19.5 g**  
**AB1-EBN35** Sold in lots of **100** Unit weight **19.5 g**  
**AB1-R● or G● (2)**

# Terminal blocks

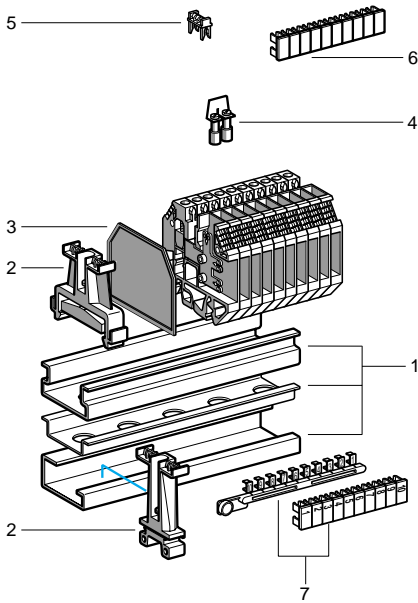
Screw-clip type

## Clip-on mounting on 25, 35, 50 rails

### (A) Screw-clip terminal block Top and side access

### (B) Screw-clip terminal block Top access

### (C) Clip-clip terminal block Top access



Nominal c.s.a.

4 mm<sup>2</sup>

Sold in lots of Weight g

Unit reference (Colour: grey RAL 7032 V0)

AB1-FV135U (A)

100

11.5

AB1-FC335U (B)

100

11.5

AB1-FF835U (C)

100

11.5

6 mm pitch

Cabling c.s.a. in mm<sup>2</sup>

Flexible cable without cable end:

- 0.5 to 4 (screw clamps)
- 0.5 to 2.5 (3 clips 6.3 x 0.8)
- 0.5 to 1.5 (6 clips 2.8 x 0.8)

Solid cable: 0.5 to 6 (screw clamps)

Nominal electrical values

UTE, category C: ~ 400 V, ~ 250 V

VDE, group C: ~ 750 V, ~ 900 V 20 A

Approvals obtained under the marking

Type WK4 3-6 S1 K/U

CSA, UR, NEMKO, SEV

Unit reference

Sold in lots of Unit weight g

AM1-ED● (1)

AM1-D●● (1)

DZ5-MB● (1)

AB1-AB7P32

100

4.2

AB1-AB8P35

100

5.9

AB1-TC01

50

2.5

AB1-TC3

50

2.6

AB1-TC02

50

2.6

AB1-AL4

10

305

AB1-ALN42

10

1.7

AB1-CA2

100

0.1

AB1-CA410ET

50

1

AB1-R● or G● (2)

### Accessories

Dimensions in mm

1 - 25 rail (1)

1 - 35 rail (1)

1 - 50 rail (1)

2 - Plastic end stops width 7.5 on 50

width 8 on 25 and 35

3 - End cover (for AB1-FV type), thickness 1.5

End cover (for AB1-FC type), thickness 1.5

End cover (for AB1-FF type), thickness 1.5

4 - Commoning link with screws (length

according to type) Non insulated

- for 2 poles Insulated

5 - Protective cover for single commoning link

6 - Protective cover for 10-pole commoning link

7 - Marking accessories

(1) See page 13300/6.

(2) See pages 13511/2 and 13511/3.

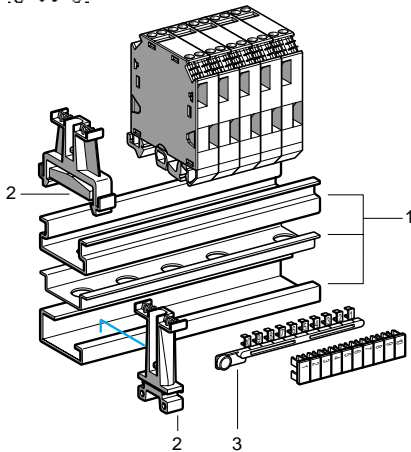
# Terminal blocks

For diodes and for cylindrical fuse

## Clip-on mounting on $\Sigma$ $\sim$ $\square$ rails

### Terminal blocks for diodes

(diodes not included)



Nominal c.s.a. **4 mm<sup>2</sup>**  
 Unit reference  
 (Colour: grey RAL 7032 V0)

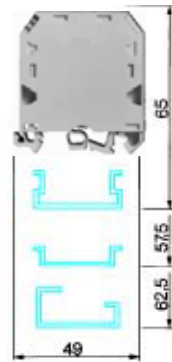
**4 mm<sup>2</sup>**  
**AB1-D11435U**

Sold in lots of 50  
 Unit weight : 25 g  
**12 mm pitch**

Cabling c.s.a. in mm<sup>2</sup>  
 Flexible cable without cable end: 0.5 to 4  
 Flexible cable with cable end: 0.5 to 2.5  
 Solid cable: 0.5 to 6

Nominal electrical values  
 UTE, category C:  $\sim$  125 V,  $\equiv$  125 V  
 VDE, gr. C:  $\sim$  750 V,  $\equiv$  900 V  
 Diode types:  
 1N4007, Zener ZPD 16, etc.

Approvals obtained under the marking   
 Type 9786 12 U: CSA



Unit reference	Sold in lots of	Unit weight g
AM1-ED● (1)		
AM1-D●● (1)		
DZ5-MB● (1)		
AB1-AB7P32	100	4.2
AB1-AB8P35	100	5.9
AB1-AB10M32	100	6.5
AB1-AB8M35	100	7

### Accessories

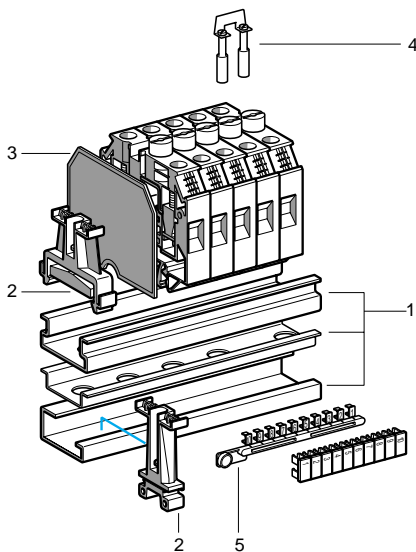
Dimensions in mm

- 1 -  $\Sigma$  rail (1)
- 1 -  $\sim$  rail (1)
- 1 -  $\square$  rail (1)
- 2 - Plastic end stops width 7.5 on  $\square$  stops width 8 on  $\Sigma$  and  $\sim$
- 2 - Metal end stops width 10 on  $\square$  stops width 8 on  $\Sigma$  and  $\sim$
- 3 - Marking accessories

### Terminal block for cylindrical fuse

(fuse not included, see page 13508/2)

- (A) 28 V LED indicator (yellow).
- (B) 250 V LED indicator (yellow).
- (C) 110 - 500 V neon indicator (red).



Nominal c.s.a. **10 mm<sup>2</sup>**  
 Blown fuse indicator  
 Unit reference  
 (Colour: grey RAL 7032 V0)  
 - for 5 x 20 mm cylindrical fuse  
 - for 5 x 25 mm cylindrical fuse  
 - for 5 x 30 mm cylindrical fuse  
 - for 6.3 x 32 mm cylindrical fuse

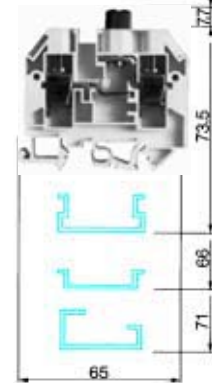
**10 mm<sup>2</sup>**  
 Without indicator With indicator  
**AB1-FU10135U AB1-FU10135UB (A) AB1-FU10135UU (B)**  
**AB1-FU10235U**  
**AB1-FU10335U**  
**AB1-FU10435U AB1-FU10435UB (A) AB1-FU10435UFS (C)**

Sold in lots of 50  
 Unit weight : 39 g  
**12 mm pitch**

Cabling c.s.a. in mm<sup>2</sup>  
 Flexible cable without cable end: 10 to 16  
 Flexible cable with cable end : 1 to 10  
 Solid cable : 1 to 16

Nominal electrical values  
 UTE, category C:  $\sim$  400 V,  $\equiv$  250 V, 10 A  
 VDE, gr. C:  $\sim$  500 V,  $\equiv$  600 V, 15 A  
 Approvals obtained under the marking   
 Type WK 10/SI U 5 x 20, 5 x 25, 5 x 30, 6.3 x 32

DNV, CSA, FI, DEMKO, NEMKO, SEMKO, LR, SEV



### Accessories

Dimensions in mm

- 1 -  $\Sigma$  rail (1)
- 1 -  $\sim$  rail (1)
- 1 -  $\square$  rail (1)
- 2 - Plastic end stops width 7.5 on  $\square$  stops width 8 on  $\Sigma$  and  $\sim$
- 2 - Metal end stops width 10 on  $\square$  stops width 8 on  $\Sigma$  and  $\sim$
- 3 - End cover, thickness 1.5
- 4 - Commoning links with screws - length 600 mm - for 2 poles
- 5 - Marking accessories

Unit reference	Sold in lots of	Unit weight g
AM1-ED● (1)		
AM1-D●● (1)		
DZ5-MB● (1)		
AB1-AB7P32	100	4.2
AB1-AB8P35	100	5.9
AB1-AB10M32	100	6.5
AB1-AB8M35	100	7
AB1-TF	50	4.8
AB1-BF	10	12.5
AB1-BF2	50	4.7
AB1-R● or G● (2)		

**Characteristics:**  
 Residual current < 0.8 mA (110...500 V).  
 Residual current < 24 mA (28 V).

(1) See page 13300/6.

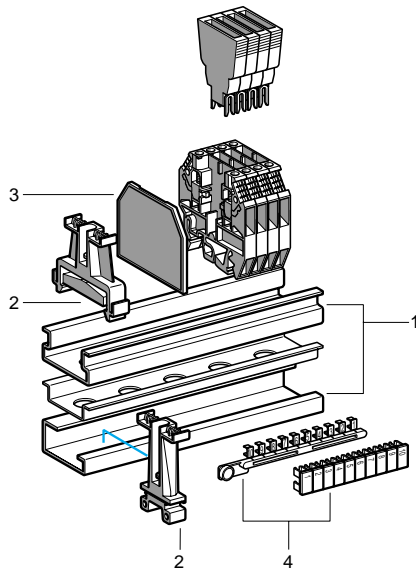
(2) See pages 13511/2 13511/3.

# Terminal blocks

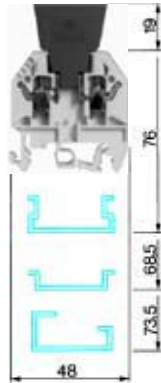
For diode or resistor and for cylindrical fuse

## Clip-on mounting on 25 mm rails

Terminal block with removable carrier  
- for diode or resistor (not included)  
- with diode 1N4007.1.



Nominal c.s.a.	4 mm <sup>2</sup>	
Terminal block		
Unit reference (Colour: grey RAL 7032 V0)	<b>AB1-SF435U</b>	
Removable carrier	For diode or resistor	With diode 1N4007.1
Unit reference (Colour: grey RAL 7032 V0)	<b>AB1-SV1</b>	<b>AB1-SV2</b>



Sold in lots of 100

Unit weight:  
Terminal block: 9 g  
Removable carrier: 4.5 g  
**6 mm pitch**

Cabling c.s.a. in mm<sup>2</sup>  
Flexible cable without cable end: 0.5 to 4  
Flexible cable with cable end: 0.5 to 2.5  
Solid cable: 0.5 to 6

Nominal electrical values  
UTE, category C : ~ 500 V, = 500 V  
VDE, group C : ~ 750 V, = 900 V, 10 A  
Approvals obtained under the marking   
Type WK 4 TKG/U  
CSA, SEV, NEMKO, FI, UR

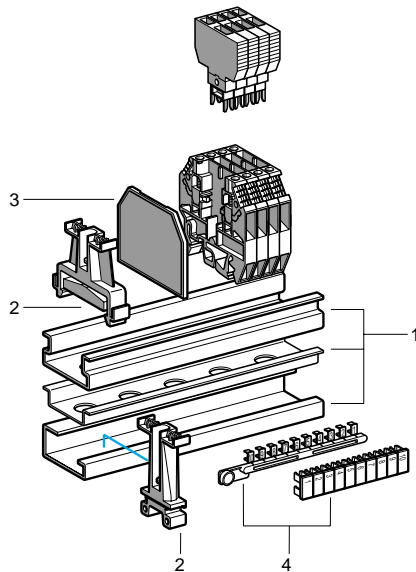
### Accessories

Dimensions in mm	
1 - 25 rail (1)	
1 - 25 rail (1)	
1 - 25 rail (1)	
2 - Plastic end stops	width 7.5 on 25
	width 8 on 25 or 35
2 - Metal end stops	width 10 on 25
	width 8 on 25 or 35
3 - End cover, thickness 1.5	
4 - Marking accessories	

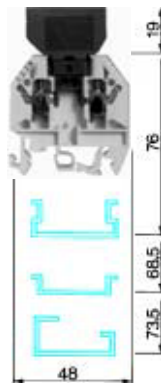
Unit reference	Sold in lots of	Unit weight g
<b>AM1-ED● (1)</b>		
<b>AM1-D●● (1)</b>		
<b>DZ5-MB● (1)</b>		
<b>AB1-AB7P32</b>	100	4.2
<b>AB1-AB8P35</b>	100	5.9
<b>AB1-AB10M32</b>	100	6.5
<b>AB1-AB8M35</b>	100	7
<b>AB1-PS4</b>	50	1.5
<b>AB1-R● or G● (2)</b>		

Terminal blocks with removable carrier  
for 5 x 20 mm fuse  
(fuse not included, see page 13508/2)

With or without red LED indicator.



Nominal c.s.a.	4 mm <sup>2</sup>	With 24 V LED	With 220 V LED
Terminal block			
Unit reference (Colour: grey RAL 7032 V0)	<b>AB1-SF435U</b>	-	-
Removable fuse carrier for 5 x 20 mm fuse			
Unit reference (Colour: grey RAL 7032 V0)	<b>AB1-SF520</b>	<b>AB1-SF520B</b>	<b>AB1-SF520M</b>



Sold in lots of 100

Unit weight:  
Terminal block: 9 g  
Removable carrier: 4.5 g  
**6 mm pitch**

Cabling c.s.a. in mm<sup>2</sup>  
Flexible cable without cable end: 0.5 to 4  
Flexible cable with cable end: 0.5 to 2.5  
Solid cable: 0.5 to 6

Nominal electrical values  
UTE, category C : ~ 500 V, = 500 V  
VDE, group C : ~ 750 V, = 900 V, 10 A  
Approvals obtained under the marking   
Type WK 4 TKG/U  
CSA, SEV, NEMKO, FI, UR

### Accessories

Dimensions in mm	
1 - 25 rail (1)	
1 - 25 rail (1)	
1 - 25 rail (1)	
2 - Plastic end stops	width 7.5 on 25
	width 8 on 25 or 35
2 - Metal end stops	width 10 on 25
	width 8 on 25 or 35
3 - End cover, thickness 1.5	
4 - Marking accessories	
(1) See page 13300/6.	

Unit reference	Sold in lots of	Unit weight g
<b>AM1-ED● (1)</b>		
<b>AM1-D●● (1)</b>		
<b>DZ5-MB● (1)</b>		
<b>AB1-AB7P32</b>	100	4.2
<b>AB1-AB8P35</b>	100	5.9
<b>AB1-AB10M32</b>	100	6.5
<b>AB1-AB8M35</b>	100	7
<b>AB1-PS4</b>	50	1.5
<b>AB1-R● or G● (2)</b>		
(2) See pages 13511/2 and 13511/3.		

## Clip-on mounting on 2.5 rails

Nominal c.s.a.	2.5 mm <sup>2</sup>	2.5 mm <sup>2</sup>	2.5 mm <sup>2</sup>
Indication	–	24 V LED (+)	24 V LED (-)
Unit reference (Colour: grey RAL 7032 V0)	AB1-DDP235U	AB1-DDP235ULP	AB1-DDP235ULM

Screw clamp connection	1	1	1
<b>Screw clamp connection</b> - (blue) + (red)			
	Sold in lots of 100 Unit weight: 10 g <b>6 mm pitch</b>	Sold in lots of 100 Unit weight: 10 g <b>6 mm pitch</b>	Sold in lots of 100 Unit weight: 10 g <b>6 mm pitch</b>
Cabling c.s.a. in mm <sup>2</sup> Flexible without cable end: 0.5 to 2.5 Flexible with cable end: 0.5 to 1.5 Solid cable: 0.5 to 4	Cabling c.s.a. in mm <sup>2</sup> Flexible without cable end: 0.5 to 2.5 Flexible with cable end: 0.5 to 1.5 Solid cable: 0.5 to 4	Cabling c.s.a. in mm <sup>2</sup> Flexible without cable end: 0.5 to 2.5 Flexible with cable end: 0.5 to 1.5 Solid cable: 0.5 to 4	
Nominal electrical values VDE group C: ~ 250 V, = 300 V, 26 A	Nominal electrical values VDE group C: ~ 250 V, = 300 V, 26 A	Nominal electrical values VDE group C: ~ 250 V, = 300 V, 26 A	

### Accessories

Dimensions in mm

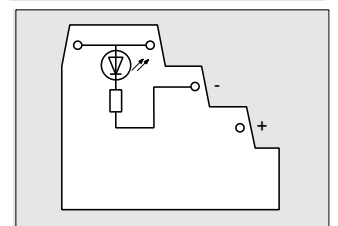
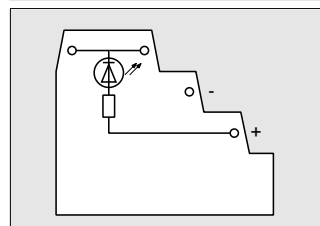
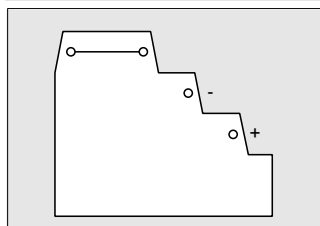
1 - 2.5 rail (1)	
1 - 2.5 rail (1)	
1 - 2.5 rail (1)	
2 - Plastic end stops (2)	width 7.5 on 2.5 rails width 8 on 2.5 or 3 rails
2 - Metal end stops (2)	width 10 on 2.5 rails width 8 on 2.5 or 3 rails
3 - Partition, thickness 2 (3)	
4 - Marking accessories	
5 - Commoning links	
12 poles (4)	colour red colour blue
100 poles (4)	colour red colour blue

**Note:** for schemes and recommended connections: see page 13510/2.

Unit reference	Unit weight
g	g
AM1-ED● (1)	
AM1-D●● (1)	
DZ5-MB● (1)	
AB1-AB7P32	4.2
AB1-AB8P35	5.9
AB1-AB10M32	6.5
AB1-AB8M35	7
AB1-ACD2	5
AB1-R● or G● (5)	
AB1-ALD12R	5
AB1-ALD12B	5
AB1-ALD100R	170
AB1-ALD100B	170

Unit reference	Unit weight
g	g
AM1-ED● (1)	
AM1-D●● (1)	
DZ5-MB● (1)	
AB1-AB7P32	4.2
AB1-AB8P35	5.9
AB1-AB10M32	6.5
AB1-AB8M35	7
AB1-ACD2	5
AB1-R● or G● (5)	
AB1-ALD12R	5
AB1-ALD12B	5
AB1-ALD100R	170
AB1-ALD100B	170

Unit reference	Unit weight
g	g
AM1-ED● (1)	
AM1-D●● (1)	
DZ5-MB● (1)	
AB1-AB7P32	4.2
AB1-AB8P35	5.9
AB1-AB10M32	6.5
AB1-AB8M35	7
AB1-ACD2	5
AB1-R● or G● (5)	
AB1-ALD12R	5
AB1-ALD12B	5
AB1-ALD100R	170
AB1-ALD100B	170



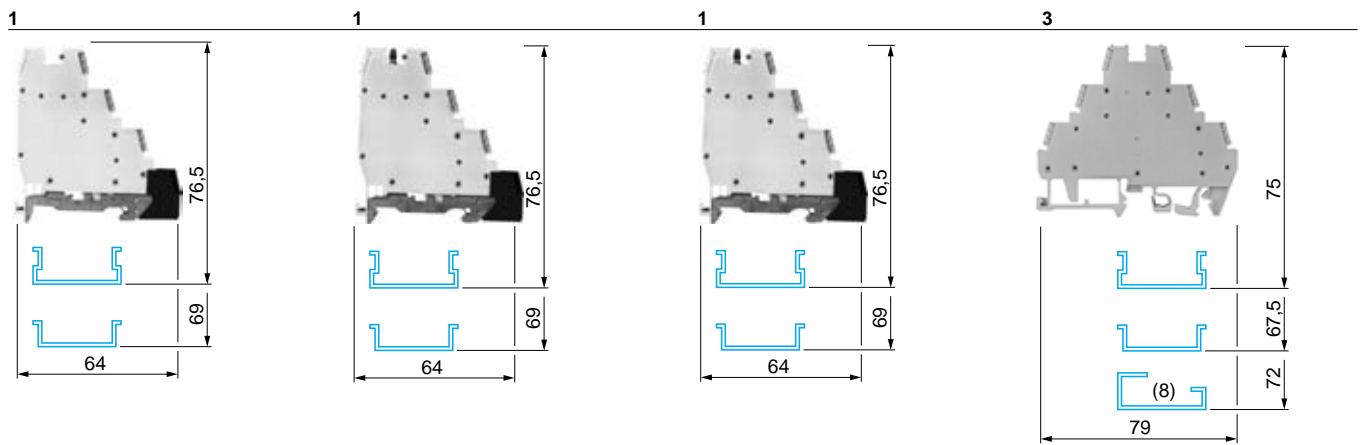
(1) See page 13300/6.  
(2) Sold in lots of 100.

(3) Clip-on mounting on 2.5 or 3 rail  
(4) Sold in lots of 10.

(5) See pages 13511/2 and 13511/3.

Clip-on mounting on:  $\pm 5$  rails       $\pm 5$  rails

<b>2.5 mm<sup>2</sup></b>	<b>2.5 mm<sup>2</sup></b>	<b>2.5 mm<sup>2</sup></b>	<b>2.5 mm<sup>2</sup></b>
-	24 V LED (+)	24 V LED (-)	-
<b>AB1-DDP235T</b>	<b>AB1-DDP235TLP</b>	<b>AB1-DDP235TLM</b>	<b>AB1-ET3235U</b> (7) <b>AB1-ET3235UTLP</b> (Earth + LED 24 V+) (7) <b>AB1-ET3235UTLM</b> (Earth + LED 24 V-) <b>AB1-ET3235UT</b> (Earth)



Sold in lots of 100 Unit weight: 15 g <b>6 mm pitch</b>	Sold in lots of 100 Unit weight: 15 g <b>6 mm pitch</b>	Sold in lots of 100 Unit weight: 15 g <b>6 mm pitch</b>	Sold in lots of 100 Unit weight: 16 g <b>6 mm pitch</b>
---	---	---	---

Cabling c.s.a. in mm <sup>2</sup> Flexible without cable end: 0.5 to 2.5 Flexible with cable end: 0.5 to 1.5 Solid cable: 0.5 to 4	Cabling c.s.a. in mm <sup>2</sup> Flexible without cable end: 0.5 to 2.5 Flexible with cable end: 0.5 to 1.5 Solid cable: 0.5 to 4	Cabling c.s.a. in mm <sup>2</sup> Flexible without cable end: 0.5 to 2.5 Flexible with cable end: 0.5 to 1.5 Solid cable: 0.5 to 4	Cabling c.s.a. in mm <sup>2</sup> Flexible without cable end: 0.5 to 2.5 Flexible with cable end: 0.5 to 1.5 Solid cable: 0.5 to 4
---	---	---	---

Nominal electrical values VDE group C: ~ 250 V, ≡ 300 V 26 A	Nominal electrical values VDE group C: ~ 250 V, ≡ 300 V, 26 A	Nominal electrical values VDE group C: ~ 250 V, ≡ 300 V, 26 A	Nominal electrical values VDE group C: ~ 250 V, ≡ 300 V, 26 A
---	--	--	--

Approvals obtained under the marking  Type WK 2.5 - 4 KI/SL SEV, NEMKO, FI, CSA	Approvals obtained under the marking  Type WK 2.5 - 4 KI/SLNGN SEV, NEMKO, FI, CSA	Approvals obtained under the marking  Type WK 2.5 - 4 KI/SLPGN SEV, NEMKO, FI, CSA	Approvals obtained under the marking  Type WK 2.5 - 3 D/U SEV, NEMKO, FI, CSA
---	--	--	---

Unit reference	Unit weight g	Unit reference	Unit weight g	Unit reference	Unit weight g	Unit reference	Unit weight g
----------------	---------------	----------------	---------------	----------------	---------------	----------------	---------------

<b>AM1-ED●</b> (1)		<b>AM1-ED●</b> (1)		<b>AM1-ED●</b> (1)		<b>AM1-ED●</b> (1)	
<b>AM1-D●●</b> (1)		<b>AM1-D●●</b> (1)		<b>AM1-D●●</b> (1)			

<b>AB1-AB8P35</b> (2)	5.9	<b>AB1-AB8P35</b> (2)	5.9	<b>AB1-AB8P35</b> (2)	5.9	<b>AB1-AB8P35</b> (2)	5.9
-----------------------	-----	-----------------------	-----	-----------------------	-----	-----------------------	-----

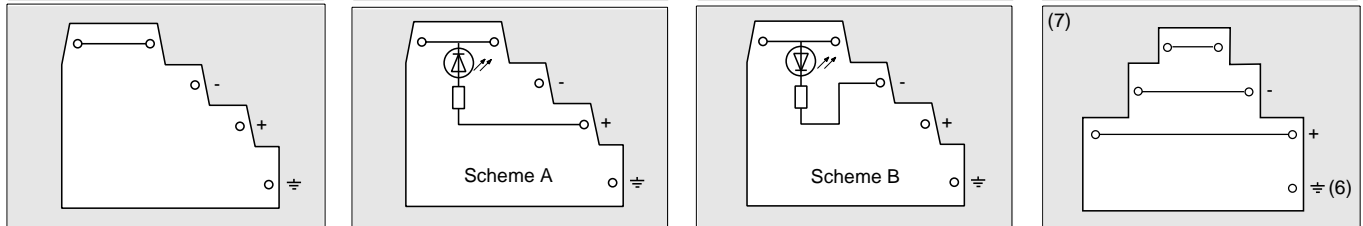
<b>AB1-AB8M35</b> (2)	7	<b>AB1-AB8M35</b> (2)	7	<b>AB1-AB8M35</b> (2)	7	<b>AB1-AB8M35</b> (2)	7
-----------------------	---	-----------------------	---	-----------------------	---	-----------------------	---

<b>AB1-ACD2</b> (3)	5	<b>AB1-ACD2</b> (3)	5	<b>AB1-ACD2</b> (3)	5		
<b>AB1-R● or G●</b> (5)		<b>AB1-R● or G●</b> (5)		<b>AB1-R● or G●</b> (5)		<b>AB1-R● or G●</b> (5)	

<b>AB1-ALD12R</b> (4)	5	<b>AB1-ALD12R</b> (4)	5	<b>AB1-ALD12R</b> (4)	5	<b>AB1-ALD12R</b> (4)	5
-----------------------	---	-----------------------	---	-----------------------	---	-----------------------	---

<b>AB1-ALD12B</b> (4)	5	<b>AB1-ALD12B</b> (4)	5	<b>AB1-ALD12B</b> (4)	5	<b>AB1-ALD12B</b> (4)	5
-----------------------	---	-----------------------	---	-----------------------	---	-----------------------	---

<b>AB1-ALD100R</b> (4)	170	<b>AB1-ALD100R</b> (4)	170	<b>AB1-ALD100R</b> (4)	170	<b>AB1-ALD100R</b> (4)	170
<b>AB1-ALD100B</b> (4)	170	<b>AB1-ALD100B</b> (4)	170	<b>AB1-ALD100R</b> (4)	170	<b>AB1-ALD100R</b> (4)	170



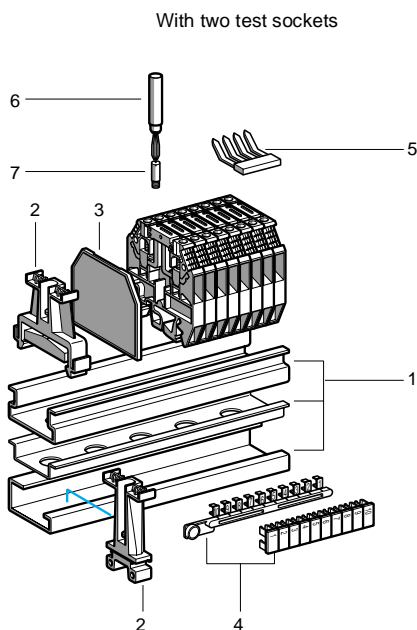
(1) See page 13300/6.  
(2) Sold in lots of 100.  
(3) Clip-on  $\pm 5$  or  $\pm$  rails  
(4) Sold in lots of 10.  
(5) See pages 13511/2 and 13511/3..  
(6) According to reference.  
(7) See scheme A or B for ref. with LED.  
(8) With **AB1-ET3235U** only.

# Terminal blocks

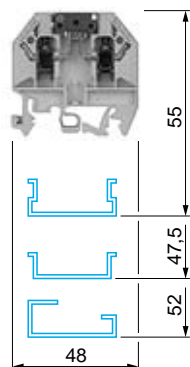
Disconnect type

## Clip-on mounting on 25 32 40 rails

Disconnect block  
(short blade)



Nominal c.s.a.	4 mm <sup>2</sup>	Sold in lots of	Weight g
Unit reference	(Colour: grey RAL 7032 V0) <b>AB1-SC435U</b> (Colour: blue RAL 5012 V0) <b>AB1-SC435UBL</b>	100 100	12 12
Unit reference	(Colour: grey RAL 7032 V0) <b>AB1-SC435U2PT</b> (Colour: blue RAL 5012 V0) <b>AB1-SC435U2PTBL</b>	100 100	12 12



### 6 mm pitch

Cabling c.s.a. in mm<sup>2</sup>  
Flexible cable without cable end: 0.5 to 4  
Flexible cable with cable end: 0.5 to 2.5  
Solid cable: 0.5 to 6

Nominal electrical values  
UTE, category C: ~ 500 V  
VDE, group C: ~ 750 V, = 900 V, 20 A  
Approvals obtained under the marking

SEV, NEMKO, FI, CSA

### Accessories

Dimensions in mm

1 - 25 rail (1)		
1 - 32 rail (1)		
1 - 40 rail (1)		
2 - Plastic end stops	width 7.5 on 32 width 8 on 25 and 40	
2 - Metal end stops	width 10 on 32 width 8 on 25 and 40	
3 - End cover, thickness 1.5		
4 - Marking accessories		
5 - Commoning link		
	2 poles	
	3 poles	
	4 poles	
	10 poles	
6 - Test plug, Ø 3		
7 - Test plug socket		

(1) See page 13300/6.

(2) See pages 13511/2 and 13511/3.

Unit reference	Sold in lots of	Unit weight g
<b>AM1-ED●</b> (1)		
<b>AM1-D●●</b> (1)		
<b>DZ5-MB●</b> (1)		
<b>AB1-AB7P32</b>	100	4.2
<b>AB1-AB8P35</b>	100	5.9
<b>AB1-AB10M32</b>	100	6.5
<b>AB1-AB8M35</b>	100	7
<b>AB1-PS4</b>	50	3.5
<b>AB1-R● or G●</b> (2)		
<b>AB1-CC42SC</b>	100	0.9
<b>AB1-CC43SC</b>	100	1.4
<b>AB1-CC44SC</b>	100	1.9
<b>AB1-CC410SC</b>	100	4.8
<b>AB1-AT1</b>	50	1.7
<b>AB1-A4</b>	50	0.5



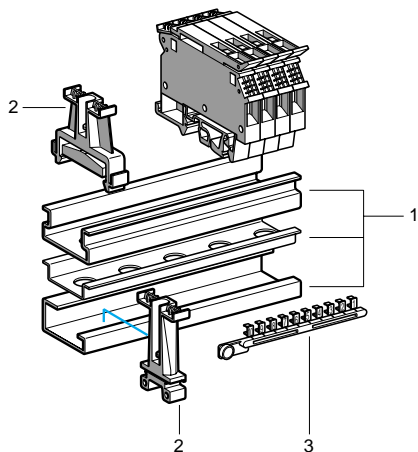
# Terminal blocks

## Fused disconnect type

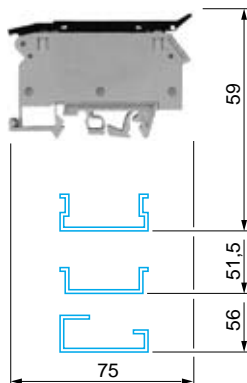
### Clip-on mounting on 25 32 35 rails

#### Fused disconnect terminal blocks (5 x 20 or 5 x 25 fuse)

(fuse not included, see page 13508/2).



Nominal c.s.a.	4 mm <sup>2</sup>	Sold in lots of	Weight g
Unit reference (Colour: grey RAL 7032 V0)	<b>AB1-FUSE435U5X</b>	50	16
With LED 5-12 V (2.3...7 mA)	<b>AB1-FUSE435U5XJ</b>	50	16
With LED 12-24 V (2.8...6.2 mA)	<b>AB1-FUSE435U5XB</b>	50	16
With Neon 110-250 V (0.13...0.55 mA)	<b>AB1-FUSE435U5XM</b>	50	16



#### 8 mm pitch

#### Cabling c.s.a. in mm<sup>2</sup>

Flexible cable without cable end: 0.5 to 4

Flexible cable with cable end: 0.5 to 2.5

Solid cable: 0.5 to 6

#### Nominal electrical values

UTE, category C: ~ 500 V

VDE, group C: ~ 750 V, ~ 900 V, 6.3 A

Approvals obtained under the marking

Type WK4/THSI5...U

SEV, NEMKO, FI, CSA

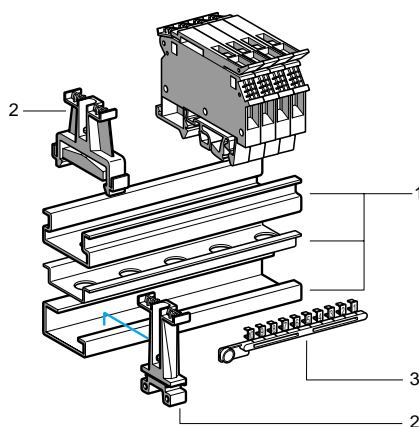
#### Accessories

##### Dimensions in mm

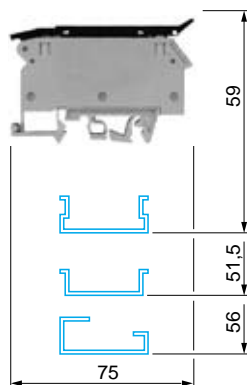
1 - 25 rail (1)	
1 - 32 rail (1)	
1 - 35 rail (1)	
2 - Plastic end stops	width 7.5 on 35 width 8 on 25 and 32
2 - Metal end stops	width 10 on 35 width 8 on 25 and 32
3 - Marking accessories	

Unit reference	Sold in lots of	Unit weight g
<b>AM1-ED● (1)</b>		
<b>AM1-D●● (1)</b>		
<b>DZ5-MB● (1)</b>		
<b>AB1-AB7P32</b>	100	4.2
<b>AB1-AB8P35</b>	100	5.9
<b>AB1-AB10M32</b>	100	6.5
<b>AB1-AB8M35</b>	100	7
<b>AB1-R● or G● (2)</b>		

#### Fused disconnect terminal block (6 x 32 fuse)



Nominal c.s.a.	4 mm <sup>2</sup>	Sold in lots of	Weight g
Unit reference (Colour: grey RAL 7032 V0)	<b>AB1-FUSE435U6X</b>	50	25
With LED 5-12 V (2.3...7 mA)	<b>AB1-FUSE435U6XJ</b>	50	25
With LED 12-24 V (2.8...6.2 mA)	<b>AB1-FUSE435U6XB</b>	50	25
With Neon 110-220 V (0.13...0.55 mA)	<b>AB1-FUSE435U6XM</b>	50	25



#### 10 mm pitch

#### Cabling c.s.a. in mm<sup>2</sup>

Flexible cable without cable end: 0.5 to 4

Flexible cable with cable end: 0.5 to 2.5

Solid cable: 0.5 to 6

#### Nominal electrical values

UTE, category C: ~ 500 V

VDE, group C: ~ 750 V, ~ 900 V, 10 A

Approvals obtained under the marking

Type WK4/THSI3...U

SEV, NEMKO, FI, CSA

#### Accessories

##### Dimensions in mm

1 - 25 rail (1)	
1 - 32 rail (1)	
1 - 35 rail (1)	
2 - Plastic end stops	width 7.5 on 35 width 8 on 25 and 32
2 - Metal end stops	width 10 on 35 width 8 on 25 and 32
3 - Marking accessories	

Unit reference	Sold in lots of	Unit weight g
<b>AM1-ED● (1)</b>		
<b>AM1-D●● (1)</b>		
<b>DZ5-MB● (1)</b>		
<b>AB1-AB7P32</b>	100	4.2
<b>AB1-AB8P35</b>	100	5.9
<b>AB1-AB10M32</b>	100	6.5
<b>AB1-AB8M35</b>	100	7
<b>AB1-R● or G● (2)</b>		

(1) See page 13300/6.

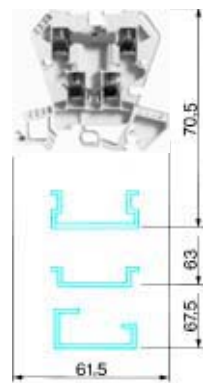
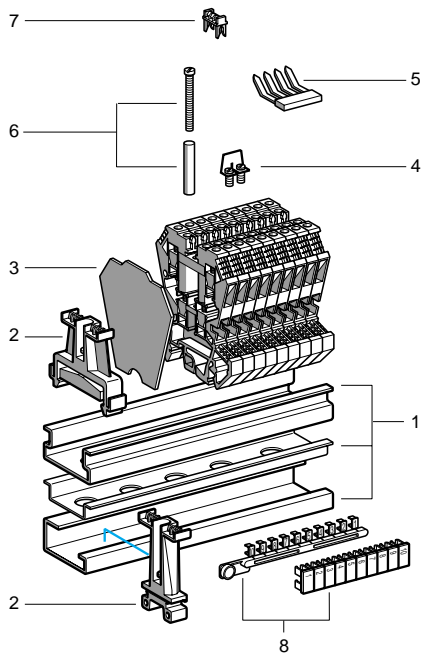
(2) See pages 13511/2 and 13511/3.

# Terminal blocks

Double deck type

## Clip-on mounting on 25 rails

Double deck terminal block	Nominal c.s.a.	4 mm <sup>2</sup>	Sold in lots of	Weight g
2 screw clamp connections	Unit reference	(Colour: grey RAL 7032 V0)	<b>AB1-ET435U</b>	100 15.1
2 screw clamp connections + Upper-lower link		(Colour: black)	<b>AB1-ET435U2</b>	100 15.1
2 screw clamp connections + protective earth		(Colour: green-yellow)	<b>AB1-ET435UTP</b>	100 15.1
2 screw clamp connections + 24 V LED (red)		(Colour: red)	<b>AB1-ET435UBRO</b>	100 15.1
2 screw clamp connections + 24 V LED (green)		(Colour: red)	<b>AB1-ET435UBVE</b>	100 15.1
2 screw clamp connections + head-to-tail diodes (red)		(Colour: orange)	<b>AB1-ET435UBGE</b>	100 15.1
2 screw clamp connections + diode Upper-lower		(Colour: red)	<b>AB1-ET435UHBRO</b>	100 15.1
2 screw clamp connections + diode Lower-upper		(Colour: orange)	<b>AB1-ET435UBHGE</b>	100 15.1
2 screw clamp connections + 2 diodes		(Colour: red)	<b>AB1-ET435U2DRO</b>	100 15.1



### 6 mm pitch

Cabling c.s.a. in mm<sup>2</sup>  
 Flexible cable without cable end: 0.5 to 4  
 Flexible cable with cable end: 0.5 to 2.5  
 Solid cable: 0.5 to 6

Nominal electrical values  
 UTE, category C: ~ 400 V, ~ 250 V  
 VDE, group C: ~ 380 V, ~ 450 V, 34 A  
 Approvals obtained under the marking Type WK4 E/U  
 UR (300 V) NEMKO, DNV, SEMKO, CSA, USSR, GL, FI, SEV, LR, UR, CEBEC, RINA

### Accessories

Dimensions in mm

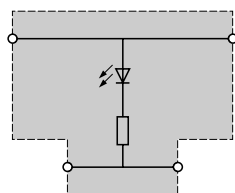
1 - 25 rails (1)		
2 - Plastic end	width 7.5 on 25	
stops	width 8 on 25 and 25	
2 - Metal end	width 10 on 25	
stops	width 8 on 25 and 25	
3 - End cover, thickness 1.5		
4 - Commoning links with screws	(length according to type)	
- for 2 poles		
5 - Insulated commoning link		
2 poles Lower		
6 poles Lower		
2 poles Upper		
6 poles Upper		
6 - Commoning link between 2 decks		
7 - Yellow protective cover for single link		
8 - Marking accessories		

Unit reference	Sold in lots of	Unit weight g
<b>AB1-AB7P32</b>	100	4.2
<b>AB1-AB8P35</b>	100	5.9
<b>AB1-AB10M32</b>	100	6.5
<b>AB1-AB8M35</b>	100	7
<b>AB1-TE</b>	60	3.5
<b>AB1-BE</b>	10	305
<b>AB1-BE2</b>	50	1.7
<b>AB1-CC42INFRO</b>	100	0.9
<b>AB1-CC46INFRO</b>	100	3.0
<b>AB1-CC42SUPRO</b>	100	0.9
<b>AB1-CC46SUPRO</b>	100	3.0
<b>AB1-L2ET</b>	50	2.5
<b>AB1-CA410 ET</b>	100	0.1
<b>AB1-R● or G● (2)</b>		

(1) See page 13300/6.  
 (2) See pages 13511/2 and 13511/3.

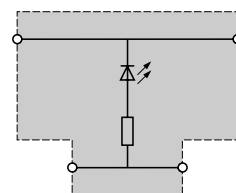
### Schemes

**AB1-ET435UBRO**



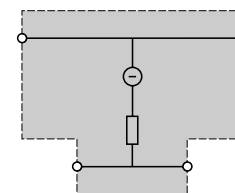
R = 2.2 kΩ - 0.35 W  
 Nominal voltage 24 V

**AB1-ET435UBGE**



R = 2.2 kΩ - 0.35 W  
 Nominal voltage 24 V

**AB1-ET435UFSBL**



R = 680 kΩ - 0.25 W  
 Nominal voltage 24 V

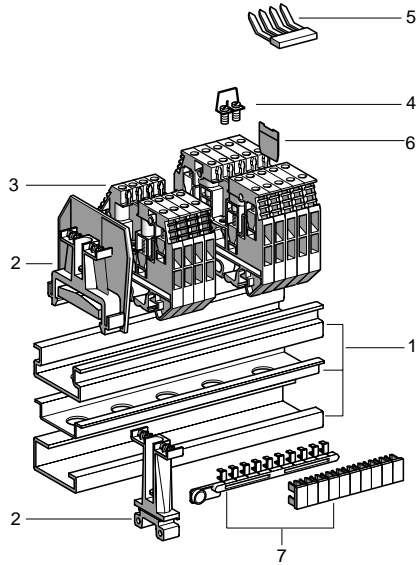
# Terminal blocks

Double deck type

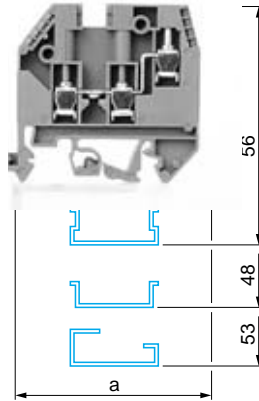
## Clip-on mounting on 25 32 35 rails

### Double deck terminal block

- 2 inputs-outputs with same potential
- 2 links in - 1 link out via screw terminals
- 2 links in - 2 links out via screw terminals
- 2 links in -2 links out via screw terminals



Nominal c.s.a.	4 mm <sup>2</sup>	Sold in lots of	Weight g
Unit reference	(Colour: grey RAL 7032 V0) <b>AB1-ETN235U</b>	100	15,1
	(Colour: grey RAL 7032 V0) <b>AB1-ETN335U</b>	100	15,1
	(Colour: grey RAL 7032 V0) <b>AB1-ETN435U</b>	100	15,1
With protective conductor (Colour: yellow/green)	<b>AB1-ETNTP435U</b>	100	16,0



AB1-	a
ETN335U	52
ETN435U	60

### 6 mm pitch

Cabling c.s.a. in mm<sup>2</sup>

Flexible cable without cable end: 0.5 to 4

Flexible cable with cable end: 0.5 to 2.5

Solid cable: 0.5 to 6

Nominal electrical values

UTE, category C: ~ 400 V, = 250 V

VDE, group C: ~ 380 V, = 450 V, 34 A

Approvals obtained under the marking

Type WK4/D...

UR (300 V), NEMKO, DNV, SEMKO, CSA, USSR, GL, FI, SEV, LR, UR, CEBEC, RINA

### Accessories

Dimensions in mm

1 - 25 32 35 rails (1)

		Unit reference	Sold in lots of	Unit weight g
2 - Plastic end stops	width 7.5 on 32 and width 8 on 25 and 35	<b>AB1-AB7P32</b>	100	4.2
		<b>AB1-AB8P35</b>	100	5.9
2 - Metal end stops	width 7.5 on 32 and width 8 on 25 and 35	<b>AB1-AB10M32</b>	100	6.5
		<b>AB1-AB8M35</b>	100	7
3 - End cover, thickness 1.5		<b>AB1-TEN3</b>	10	0.6
		<b>AB1-TEN4</b>	10	0.6
4 - Insulated 12-pole connector		<b>AB1-ALN412</b>	10	18
5 - Insulated commoning link, 2 poles		<b>AB1-CC42RO</b>	10	16
6 - Partition		<b>AB1-CJ3</b>	100	305
7 - Marking accessories		<b>AB1-R● or G● (2)</b>		

(1) See page 13300/6.

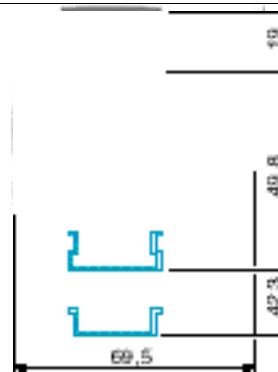
(2) See pages 13511/2 and 13511/3.

# Terminal blocks

## Spring type for diode or fuse

### Clip-on mounting on 1 - 7 rails

Nominal c.s.a.		4 mm <sup>2</sup>	Sold in lots of	Weight g
Unit reference	(Colour : grey RAL 7032 V0)	Fixed mounting block	100	9.8
	(Colour : grey RAL 7023)	Fuse holder 5 x 20 (fuse not included)	100	4.4
		Fuse holder 5 x 20 + 24 V LED	100	4.4
		Fuse holder 5 x 20 + 220 V LED	100	4.4
		Holder with diode	100	4.4
		Holder with 1N4007-1 diode	100	4.4
<b>Characteristics</b>	Fuse plug	Nominal voltage 250 V Nominal current 6.3 A and 4 A Power loss 1.5 W		
	With "fuse blown" indicator	10 mA at 24 V 0.3 mA at 220 V		



#### 6 mm pitch

Cable stripping length : 11 mm

Cabling c.s.a. in mm<sup>2</sup>

Flexible cable without cable end : 0.5 to 4

Flexible cable with cable end : 0.5 to 2.5

Solid cable : 0.5 to 6

Nominal electrical values

UTE, category C : a 500 V, c 500 V

VDE, group C : a 750 V, c 900 V, 10 A

### Accessories

Dimensions in mm

1 - 1 rail

1 - 7 rail

2 - Plastic end stop

2 - Metal end stop

3 - End cover

4 - Insulated connector

2 poles

3 poles

4 poles

5 poles

10 poles

5 - Wire guide

0.13 - 0.2 mm<sup>2</sup>

0.25 - 0.5 mm<sup>2</sup>

0.75 - 1 mm<sup>2</sup>

6 - "Danger" live terminals cover

7 - Quick acting fuse, 250 V - UL, 5 x 20

0.5 A

1 A

2 A

6.3 A

8 - Printed terminal marker strips

9 - Marking accessories

10 - Blank legend plate

(1) See pages 13511/2 and 13511/3.

Unit reference	Sold in lots of	Unit weight g
AM1-EDp		
AM1-DEp		
AB1-AB8P35	100	4.2
AB1-AB8M35	100	7
AB1-RRPS4	10	3.2
AB1-RRAL42	10	1.6
AB1-RRAL43	10	2.4
AB1-RRAL44	10	3.2
AB1-RRAL45	10	4
AB1-RRAL410	10	8
AB1-RRGF01	100	0.6
AB1-RRGF02	100	0.6
AB1-RRGF03	100	0.6
AB1-RRCS41		0.25
ABE7-FU0500	10	0.01
ABE7-FU100	10	0.01
ABE7-FU200	10	0.01
ABE7-FU630	10	0.01
AB1-B6ppp (1)		
AB1-Rp or Gp (1)		
AB1-SAp (1)		

# Terminal blocks

Spring type for diode or fuse

---

**Current range being extended** (for advance information, please consult your Regional Customer Centre)

# Terminal blocks

Side entry type

## Clip-on mounting on □ rail

### 5-pole terminal block

Nominal c.s.a.

2.5 mm<sup>2</sup>

Sold in lots of Weight g

Unit reference

- male (A) (Colour : grey RAL 7032 V0)

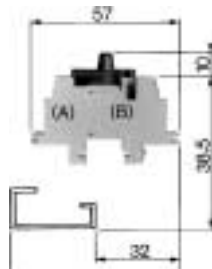
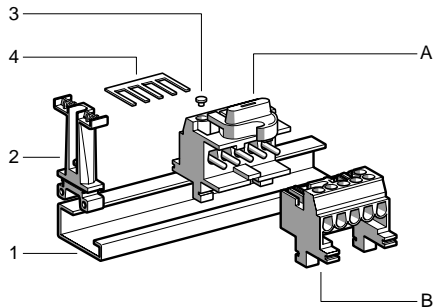
**AB1-BD532**

50 13

- female (Colour : grey RAL 7032 V0)

**AB1-BD533**

50 13



65 (plugged in)  
77 (unplugged)

### 36 mm pitch

Cabling c.s.a. in mm<sup>2</sup>

Flexible cable without cable end : 0.5 to 2.5

Flexible cable with cable end : 0.5 to 1.5

Solid cable : 0 to 4

Nominal electrical values

UTE, category C : ~ 400 V, = 250 V

VDE, group C : ~ 380 V, = 450 V, 16 A

### Accessories

Dimensions in mm

- 1 - □ rail (1)
- 2 - Plastic end stop, width 7.5
- 2 - Metal end stop, width 10
- 3 - Screw head cover
- 4 - Commoning link for 5 poles
- 5 - Marking accessories

Unit reference Sold in lots of Unit weight g

**DZ5-MB● (1)**

**AB1-AB7P32**

100 4.2

**AB1-AB10M32**

100 6.5

**AB1-CV1**

500 0.3

**AB1-BD1**

50 2.5

Markings on terminal block (1 to 5)

For higher numbers, use screw head cover AB1-CV1

## Screw fixing

### 10-pole terminal block

Nominal c.s.a.

2.5 mm<sup>2</sup>

Sold in lots of Weight g

Unit reference

- male (A) (Colour : grey RAL 7032 V0)

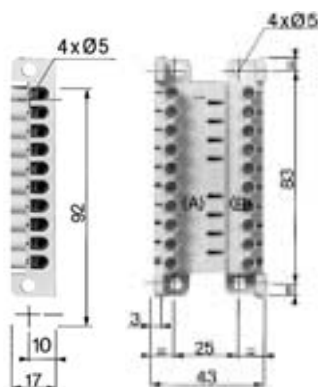
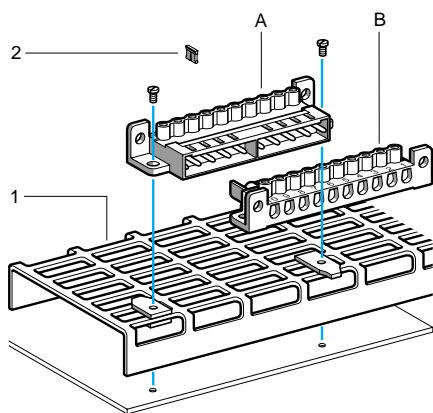
**AB1-BD101**

10 34

- female (B) (Colour : grey RAL 7032 V0)

**AB1-BD102**

10 34



### 92 mm pitch

Cabling c.s.a. in mm<sup>2</sup>

Flexible cable without cable end : 0.5 to 2.5

Flexible cable with cable end : 0.5 to 1.5

Solid cable : 0.5 to 4

Nominal electrical values

VDE, group C : ~ 380 V, 16 A

### Accessories

Dimensions in mm

- 1 - Telequick mounting plate (1)
- 2 - Coding chip
- 3 - Marking accessories

Unit reference Sold in lots of Unit weight g

**AM1-PA● (1)**

**AB1-DT01**

100 0.2

Markings on terminal block (1 to 10)

(1) See pages 13300/2 to 13300/14.

# Terminal blocks

Front connecting fixed type  
10-pole

## Clip-on mounting on 2.5, 4, 6 rails

Fixed terminal block  
10-pole

Nominal c.s.a.

2.5 mm<sup>2</sup>

Sold in  
lots of

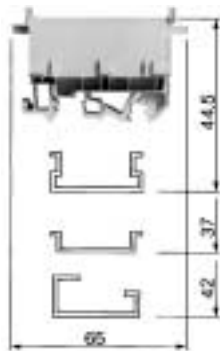
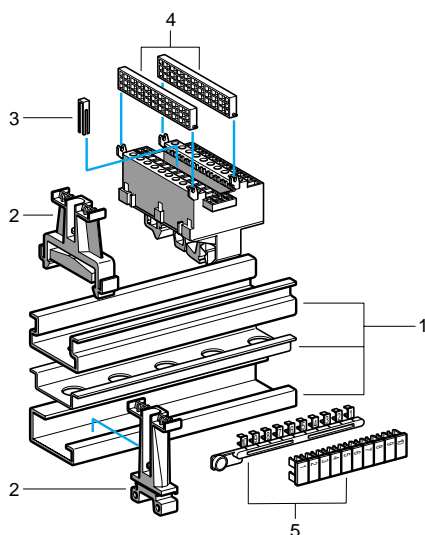
Weight  
g

Unit reference (Colour : grey RAL 7032 V0)

AB1-BV10235U

10

73



39 mm pitch

Cabling c.s.a. in mm<sup>2</sup>

Flexible cable without cable end : 0.5 to 2.5

Flexible cable with cable end : 0.5 to 1.5

Solid cable : 0.5 to 4

Nominal electrical values

VDE, group C : ~ 380 V, ≡ 450 V, 20 A

Approvals obtained under the marking Type WKB 2.5/U

CSA, UR

### Accessories

Dimensions in mm

1 - 2.5 rail (1)

1 - 4 rail (1)

1 - 6 rail (1)

2 - Plastic end width 7.5 on 6

stops width 8 on 2.5 or 4

2 - Metal end width 10 on 6

stops width 8 on 2.5 or 4

3 - Commoning link between 2

consecutive poles

4 - Pivoting terminal cover

5 - Marking accessories

(1) See page 13300/6.

(2) See pages 13511/2 and 13511/3.

Unit  
reference

Sold in  
lots of

Unit  
weight  
g

AM1-ED● (1)

AM1-D●● (1)

DZ5-MB● (1)

AB1-AB7P32 100 4.2

AB1-AB8P35 100 5.9

AB1-AB10M32 100 6.5

AB1-AB8M35 100 7

AB1-DL02 100 0.5

AB1-DV02 10 2

AB1-R● or G● (2)

# Terminal blocks

Front connecting plug-in type  
10-pole

## Clip-on mounting on 2.5 4 6 rails

### Plug-in terminal block 10-pole

Nominal c.s.a. - fixed part (A)  
- moving part (B)

2.5 mm<sup>2</sup>  
1.5 mm<sup>2</sup>

Sold in  
lots of

Weight  
g

Unit reference

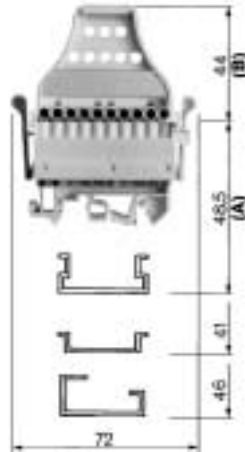
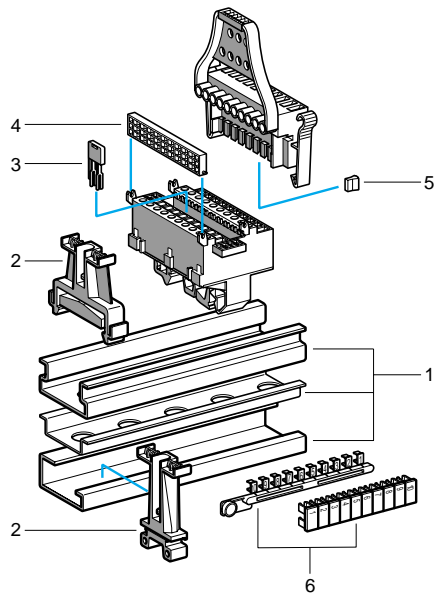
(Colour : - fixed part (A)  
grey RAL 7032 V0) - moving part (B)

AB1-DV10235U

10 47

AB1-DVM10235U

10 21



Pitch (A) 38 mm - (B) 21 mm

Cabling c.s.a. in mm<sup>2</sup>

Flexible cable : (A) 0.5 to 2.5 - (B) 0.5 to 1.5

With cable end : (A) and (B) 0.5 to 1.5

Solid cable : (A) 0.5 to 4 - (B) 0.5 to 2.5

Nominal electrical values

VDE, group C : ~ 380 V, ~ 450 V, 10 A

Approvals obtained under the marking

Type WKB 2.5/B/U, ST 29/10 S

CSA, UR

### Accessories

Dimensions in mm

1 - 2.5 rail (1)	
1 - 4 rail (1)	
1 - 6 rail (1)	
2 - Plastic end stops	width 7.5 on 6
2 - Metal end stops	width 8 on 2.5 or 4
3 - Commoning link between 2 consecutive poles	width 8 on 2.5 or 4
4 - Pivoting terminal cover	
5 - Coding chip	
6 - Marking accessories	

(1) See page 13300/6.

(2) See pages 13511/2 and 13511/3.

Unit reference  
Sold in  
lots of

Unit  
weight  
g

AM1-ED● (1)

AM1-D●● (1)

DZ5-MB● (1)

AB1-AB7P32

100 4.2

AB1-AB8P35

100 5.9

AB1-AB10M32

100 6.5

AB1-AB8M35

100 7

AB1-DL021

100 0.5

AB1-DV02

10 2

AB1-DV01

10 0.2

AB1-R● or C● (2)



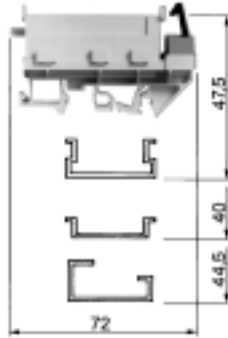
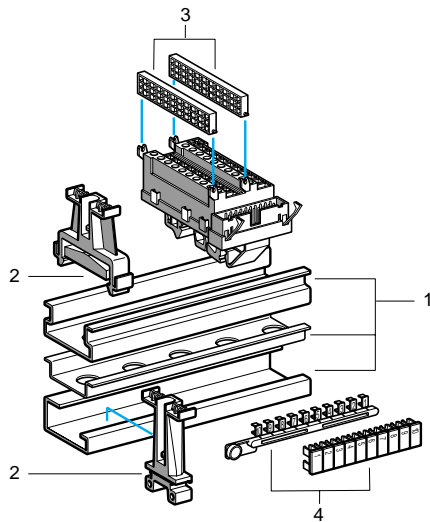
# Terminal blocks

## Front connecting plug-in type

### Clip-on mounting on 2.5, 5, 7.5 rails

Plug-in terminal block for use with ribbon cables, 20-pole (DIN 41651 socket, not included)

Nominal c.s.a.	2.5 mm <sup>2</sup>	Weight g
Unit reference (Colour : grey RAL 7032 V0)	AB1-BCP20235U	60




#### 37 mm pitch

Cabling c.s.a. in mm<sup>2</sup>  
 Flexible cable without cable end : 0.5 to 2.5  
 Flexible cable with cable end : 0.5 to 1.5  
 Solid cable : 0.5 to 4

#### Nominal electrical values

VDE, group A : ~ 60 V, ~ 75 V, 1 A

Approvals obtained under the marking   
 Type WKB 2.5/STB 2/U-20

CSA, UR (30 V), SEV

#### Accessories

Dimensions in mm

1 - 2.5 rail (1)	
1 - 5 rail (1)	
1 - 7.5 rail (1)	
2 - Plastic end stops	width 7.5 on 7.5 width 8 on 2.5 or 5
2 - Metal end stops	width 10 on 7.5 width 8 on 2.5 or 5
3 - Pivoting metal cover	
4 - Marking accessories	

(1) See page 13300/6.

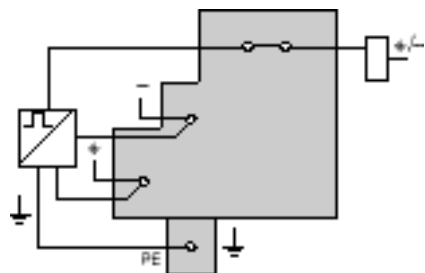
(2) See pages 13511/2 and 13511/3.

Unit reference	Sold in lots of	Unit weight g
AM1-ED● (1)		
AM1-D●● (1)		
DZ5-MB● (1)		
AB1-AB7P32	100	4.2
AB1-AB8P35	100	5.9
AB1-AB10M32	100	6.5
AB1-AB8M35	100	7
AB1-DV02	10	2
AB1-R● or G● (2)		

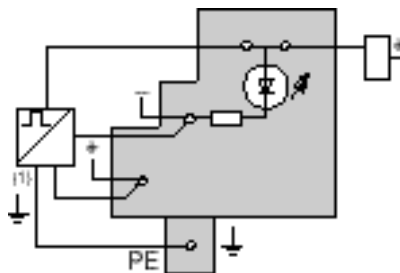
# Terminal blocks

For 3-wire proximity sensors and photo-electric detectors  
Recommended cabling and connection

Cabling of terminal block for proximity sensor  
AB1-DDP235U, AB1-DDP235T

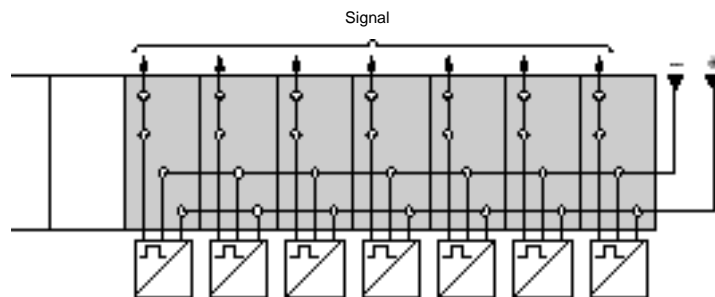
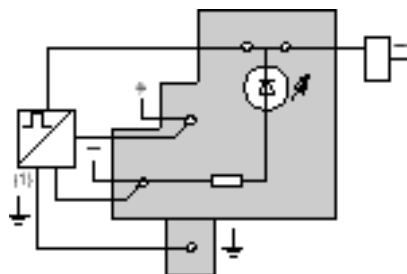


AB1-DDP25ULM, AB1-DDP235TLM



(1) PNP type sensor.

AB1-DDP235ULP - AB1-DDP235TLP

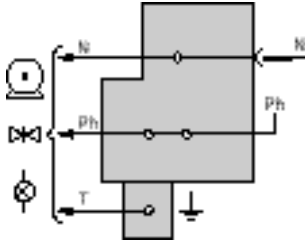


(1) NPN type sensor.

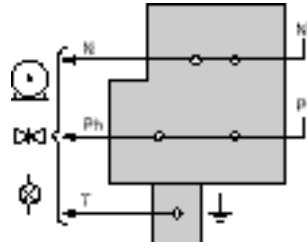
# Terminal blocks

Multifunction type  
Recommended cabling and connection

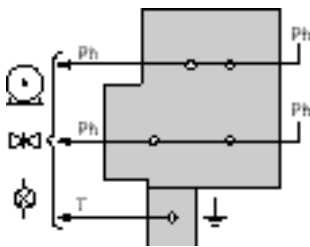
Cabling of multifunction terminal block  
AB1-TRSN435



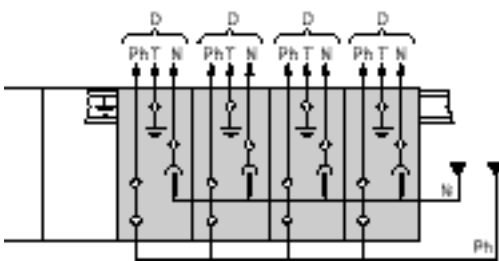
AB1-TRNN435



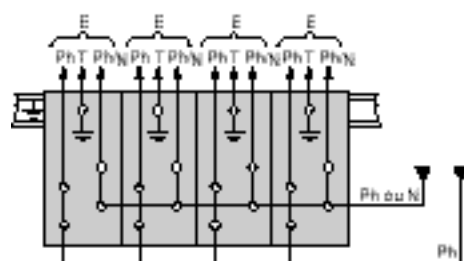
AB1-TRPN435



Examples for cabling several multifunction terminal blocks  
AB1-TRSN435



AB1-TRNN435 or AB1-TRPN435FM



# Terminal blocks

## Marking accessories

### Clip-in marker strips (1)

Description **10 consecutive figures or numbers** (and phase or voltage markers with 6 mm pitch)

For complete reference see below

**AB1-B5**ppp

**AB1-B6**ppp

**AB1-B8**ppp

Characteristics :

Material : 6-6 polyamide

Colour : black numbers

on white background



#### 5 mm pitch

Sold in lots of  
25 identical strips

Unit weight : 0.6 g

Marking	Strip reference
Blank	<b>AB1-BV5</b>
1...10	<b>AB1-B510</b>
11...20	<b>AB1-B520</b>
21...30	<b>AB1-B530</b>
31...40	<b>AB1-B540</b>
41...50	<b>AB1-B550</b>
51...60	<b>AB1-B560</b>
61...70	<b>AB1-B570</b>
71...80	<b>AB1-B580</b>
81...90	<b>AB1-B590</b>
91...100	<b>AB1-B5100</b>
	L1
	L2
	L3
	+ Red
	- Blue

#### 6 mm pitch

Sold in lots of  
25 identical strips

Unit weight : 0.7 g

Marking	Strip reference
Blank	<b>AB1-BV6</b>
1...10	<b>AB1-B610</b>
11...20	<b>AB1-B620</b>
21...30	<b>AB1-B630</b>
31...40	<b>AB1-B640</b>
41...50	<b>AB1-B650</b>
51...60	<b>AB1-B660</b>
61...70	<b>AB1-B670</b>
71...80	<b>AB1-B680</b>
81...90	<b>AB1-B690</b>
91...100	<b>AB1-B6100</b>
	<b>AB1-B6L1</b>
	<b>AB1-B6L2</b>
	<b>AB1-B6L3</b>
	<b>AB1-BV6RP</b>
	<b>AB1-BV6BM</b>

#### 8 mm pitch

Sold in lots of  
25 identical strips

Unit weight : 0.7 g

Marking	Strip reference
Blank	<b>AB1-BV8</b>
1...10	<b>AB1-B810</b>
11...20	<b>AB1-B820</b>
21...30	<b>AB1-B830</b>
31...40	<b>AB1-B840</b>
41...50	<b>AB1-B850</b>
51...60	<b>AB1-B860</b>
61...70	<b>AB1-B870</b>
71...80	<b>AB1-B880</b>
81...90	<b>AB1-B890</b>
91...100	<b>AB1-B8100</b>

(1) Mounting possibilities

p Terminal blocks with 5.6 or 8 mm pitch.

The use of marker strips with the same pitch as the terminal blocks enables rapid marking in groups of 10.

p Terminal blocks with 10 mm pitch and above.

Marker strips can also be used (5.6 or 8 mm pitch) by simply detaching the marker required and clipping it into the terminal block.

**Note** : Each side of the terminal block can be fitted with a marker (1 to 3 figures).

#### Other versions

Marker strips with numbers 101 to 110, etc. up to 991 to 999.  
Please consult our Regional Sales Office.

# Terminal blocks

## Marking accessories (1)

### Clip-in marker strips (2)

#### 10 identical numbers (or symbols)

AB1-Rpp



Sold in lots of  
25 identical strips  
Unit weight : 2 g

Marking Reference of  
10 number tag strip

Blank	AB1-RV
1	AB1-R1
2	AB1-R2
3	AB1-R3
4	AB1-R4
5	AB1-R5
6	AB1-R6
7	AB1-R7
8	AB1-R8
9	AB1-R9
0	AB1-R0
+	AB1-R12
-	AB1-R13

#### 10 numbers 0 to 9

AB1-R11



Sold in lots of  
25 identical strips  
Unit weight : 2 g

Marking Reference of  
10 number tag strip

0...9	AB1-R11

#### 10 identical capital letters

AB1-Gp



Sold in lots of  
25 identical strips  
Unit weight : 2 g

Marking Reference of  
10 letter tag strip

A	AB1-GA
B	AB1-GB
C	AB1-GC
D	AB1-GD
E	AB1-GE
F	AB1-GF
G	AB1-GG
H	AB1-GH
I	AB1-GI
J	AB1-GJ
K	AB1-GK
L	AB1-GL
M	AB1-GM

AB1-Gp



Sold in lots of  
25 identical strips  
Unit weight : 2 g

Marking Reference of  
10 letter tag strip

N	AB1-GN
O	AB1-GO
P	AB1-GP
Q	AB1-GQ
R	AB1-GR
S	AB1-GS
T	AB1-GT
U	AB1-GU
V	AB1-GV
W	AB1-GW
X	AB1-GX
Y	AB1-GY
Z	AB1-GZ

### Marking components

#### Holder for 6 markers

AB1-SR6



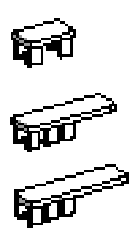
Sold in lots of 200

Unit weight : 0.6 g

Holder for up to 6 AB1-R or  
G markers

#### Blank clip-on marker

AB1-SAp



Sold in lots of 500

Unit weight : 0.3 g  
0.3 g (AB1-SA1, SA2)  
0.4 g (AB1-SA3)

Size Unit  
mm reference

4.5 x 8.3 AB1-SA1  
4.5 x 14 AB1-SA2  
4.5 x 19 AB1-SA3

#### Clip-on marker with earth symbol t (3)

AB1-RT



Sold in lots of 500

Unit weight : 1 g

Size Unit  
mm reference

4.5 x 8.3 AB1-RT

#### Marker holder for screw fixing to any type of support

AR1-SB2



Sold in lots of 100

Unit weight : 1 g

Size Unit  
mm reference

20 x 20 AR1-SB2

#### Adhesive marker holder for fixing to any type of support

AR1-SB3



Sold in lots of 50

Unit weight : 1 g

Size Unit  
mm reference

20 x 10 AR1-SB3

(3) Black on a white  
background.

(1) Terminal blocks type AB1 or DB6, can also be used with other Telemecanique products such as thermal magnetic circuit-breakers, modular contactors and D and E range contactors, etc.

(2) Mounting possibilities :

- each side of the terminal block can be fitted with 4 markers (each 1 number or letter) or, alternatively, 6 AB1-R, or G markers (see above), by using holder AB1-SR6.