

Specifications

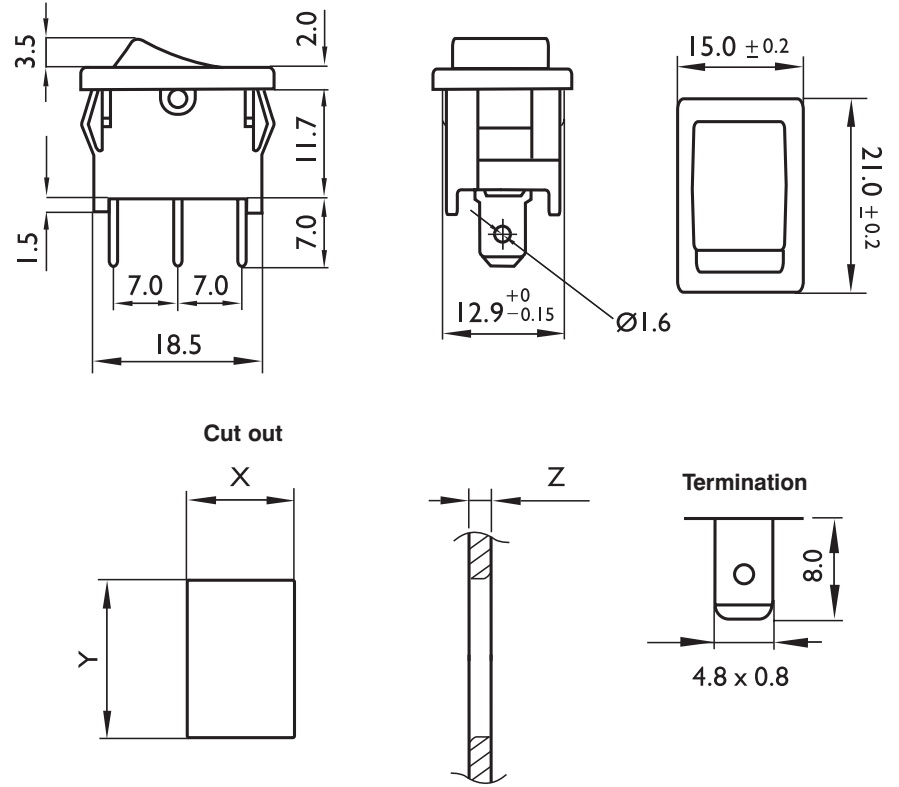
AB-RS-007

Rating	12VDC		
Colour	Black body with green illumination/01 engraving		
Switch action	Illuminated SPST/On-off		
Maximum contact resistance	30MΩ		
Minimum insulation resistance	500VDC 100MΩ		
Withstand voltage	AC1500V at 1 min		
Electrical life	10,000 cycles		
Operation force	300~600gf		
Operating temperature	-25~125°C		
Cut out	Z	Y	X
(diagram above)	0.7-1.25	19.0 +0.2 -0	13±0.1
	1.25-2.0	19.3 +0.2 -0	13±0.1
	2.0-3.0	19.6 +0.2 -0	13±0.1

Approval ENEC VDE, UL, CSA

Features

- ROHS compliant
- Housing material: Nylon #66 UL 94V-2
- Rocker material: PC UL 94-HB
- Terminal material: Copper alloy SN or AG plated
- Contact material: Ag-Cd-0(12) alloy plated



Alan Butcher Components Ltd
 Unit 1 Beechwood Clump Farm Industrial Estate Tin Pot Lane Blandford Dorset DT11 7TD
 Telephone 01258 456360 Facsimile 01258 459194 Email sales@abcomponents.co.uk
www.abcomponents.co.uk

