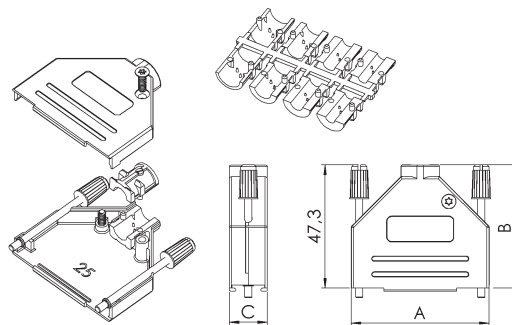
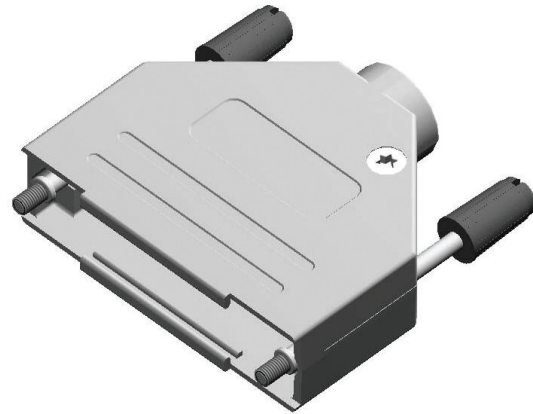


# Shielded D-Sub Backshells DTZK Series

## TECHNICAL SPECIFICATIONS

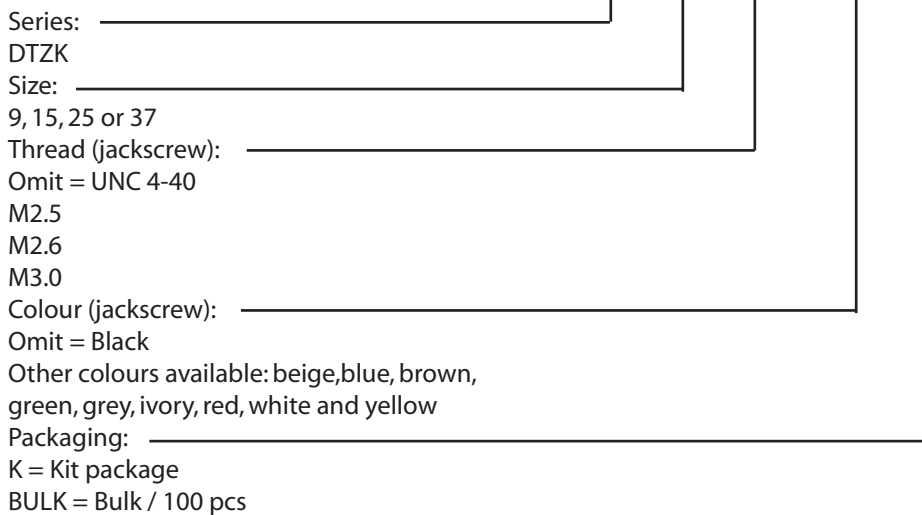
Material:	Zinc, Ni-plated
Temp. range:	-40°C - 120°C
Cable strain relief:	Polycarbonate, PC UL94 V-0
Cable diameter:	3.0 - 13.0 mm
Locking screws:	Long jackscrews with moulded top for colour coding
Cable outlet:	Straight
Attenuation factor:	> 40 dB between 30 MHz and 1 GHz



TYPE	A	B	C
DTZK9	31	38,3	14,6
DTZK15	39,5	40,5	14,6
DTZK25	53,2	47,3	14,6
DTZK37	70,9	52,2	15

## PART NUMBERING SYSTEM

DTZK25 - - RED - K

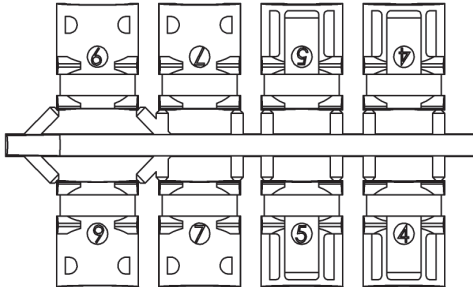


## FEATURES

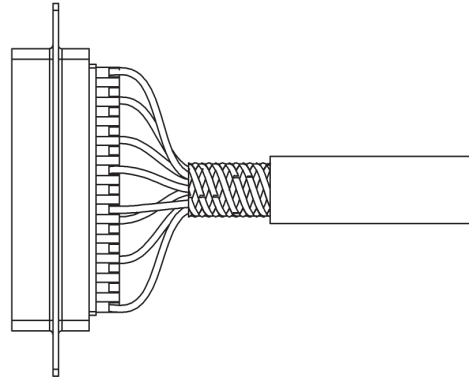
- Available in sizes 9, 15, 25 and 37
- Minimise interference from electromagnetic and RF sources
- Non-static parts avoid ESD problems
- Accept round foil and braided cable types
- Company logotype available upon request
- Long jackscrews with UNC 4-40 thread as standard, M2.5, M2.6 or M3.0 as option
- For custom designed solutions, please consult factory

# Assembly instruction DTZK Series

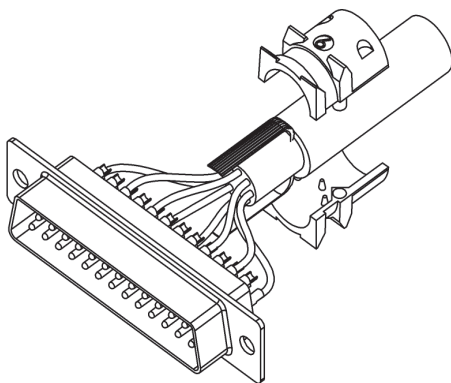
Use two halves of strain relief  
different sizes can be mixed



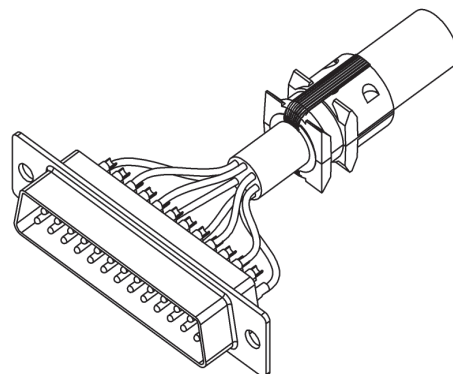
Strip cable 18mm and  
shape cable to two pigtails



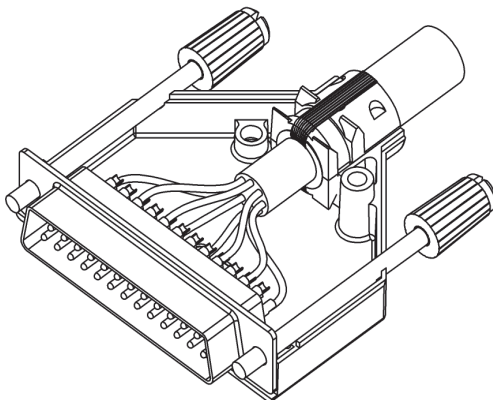
Attach the strain relief around the cable



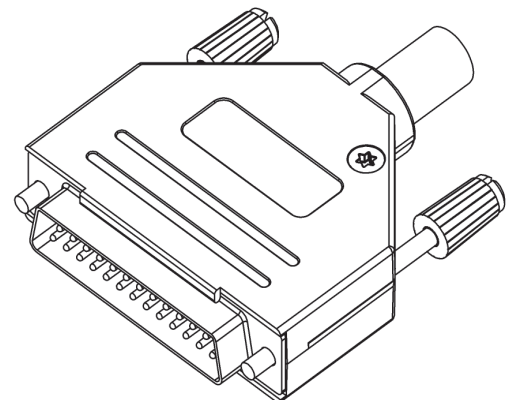
Bend cable shielding back  
on outside of strain relief

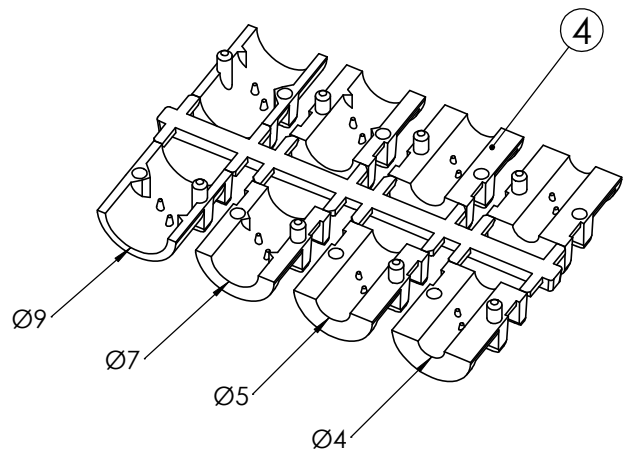
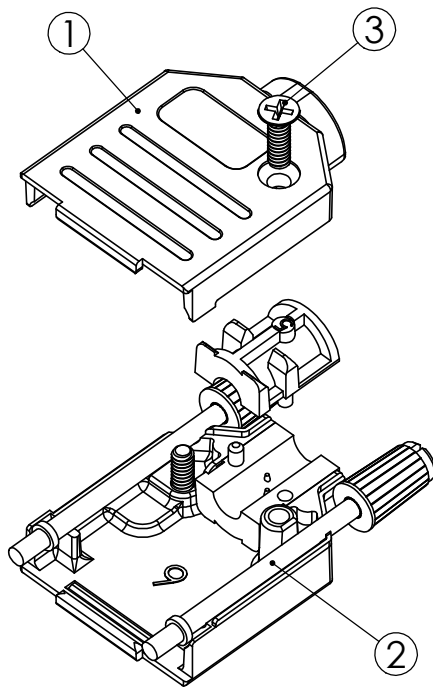
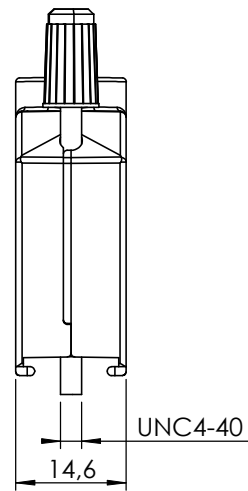
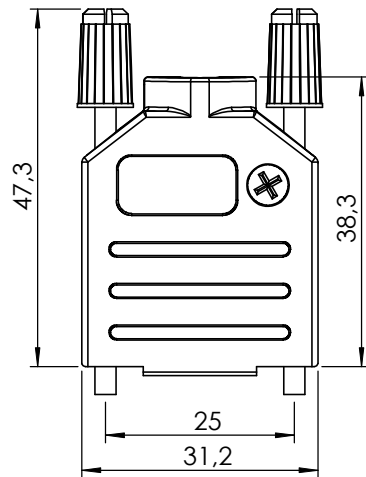


Mount connector and cable  
into the backshell

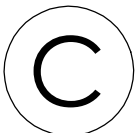


Assemble the other half  
screwing force: 100-120 Ncm.





ITEM NO.	QTY.	PART NO.	DESCRIPTION
1	2	DTZK9-D5	Cover half
2	2	D-JS	Jack screw
3	2	MFX-GF-M3x10	Screw
4	1	DVZK-D1	Strain relief



THIS DRAWING MUST NOT BE COPIED WITHOUT OUR PERMISSION, IMPARTED TO A THIRD PARTY OR OTHERWISE USED WITHOUT AUTHORISATION. CONTRAVENTION WILL BE PROSECUTED

**OSSI**  
CONNECTORS

Postbox 125  
DK-4930 Maribo  
Denmark  
Tlf: 54782888 / Fax: 54783340

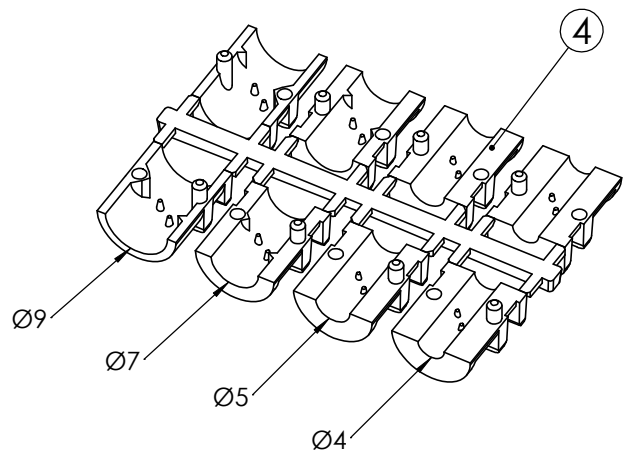
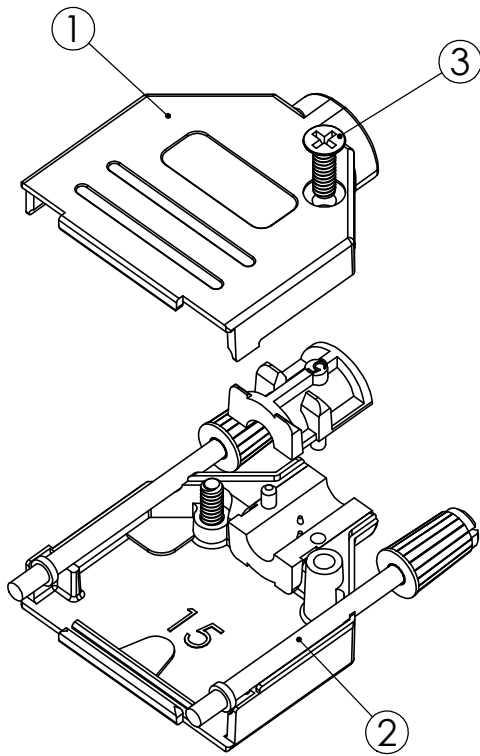
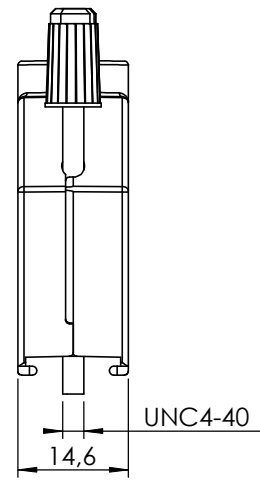
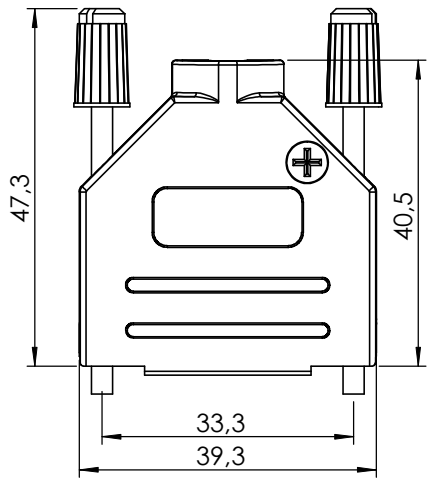
DTZK9

Draw.nr: 41325-1

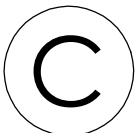
Date: 27.08.10

Rev.: B

Sign.: RK



ITEM NO.	QTY.	PART NO.	DESCRIPTION
1	2	DTZK15-D5	Cover half
2	2	D-JS	Jack screw
3	2	MFX-GF-M3x10	Screw
4	1	DVZK-D1	Strain relief



THIS DRAWING MUST NOT BE COPIED WITHOUT OUR PERMISSION, IMPARTED TO A THIRD PARTY OR OTHERWISE USED WITHOUT AUTHORISATION. CONTRAVENTION WILL BE PROSECUTED

**OSSI**  
CONNECTORS

Postbox 125  
DK-4930 Maribo  
Denmark  
Tlf: 54782888 / Fax: 54783340

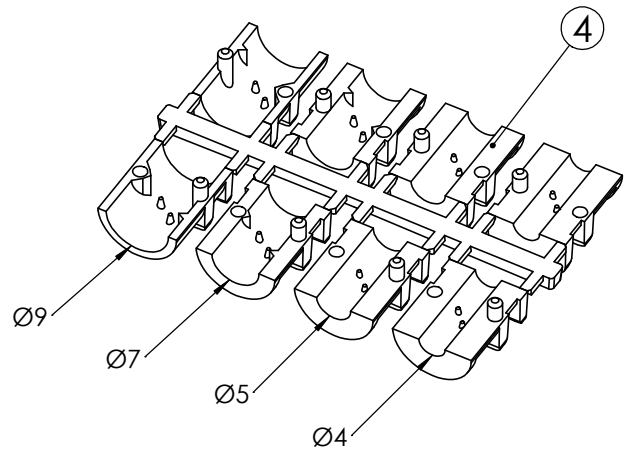
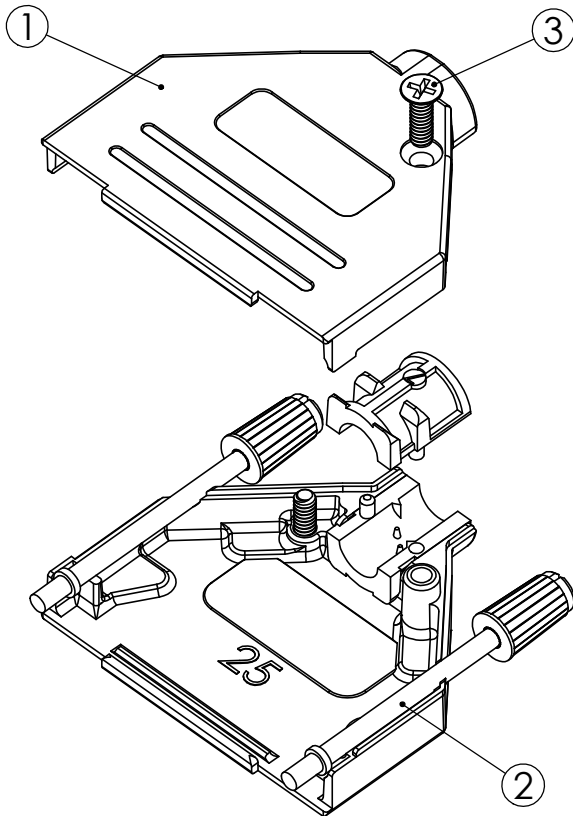
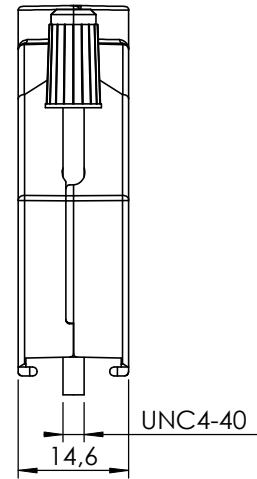
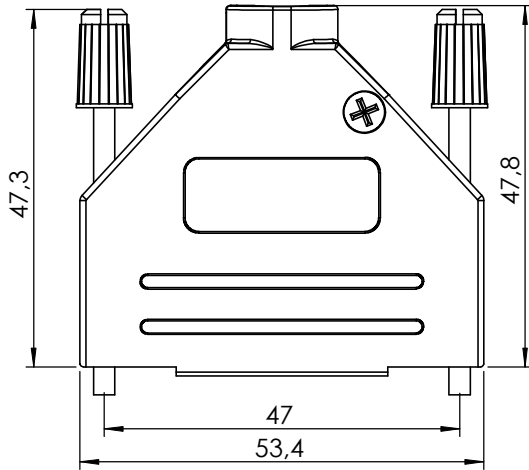
DTZK15

Draw.nr: 41325-2

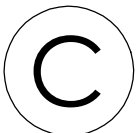
Date: 27.08.10

Rev.: A

Sign.: RK



ITEM NO.	QTY.	PART NO.	DESCRIPTION
1	2	DTZK25-D5	Cover half
2	2	D-JS	Jack screw
3	2	MFV-GF-M3x10	Screw
4	1	DVZK-D1	Strain relief



THIS DRAWING MUST NOT BE COPIED WITHOUT OUR PERMISSION, IMPARTED TO A THIRD PARTY OR OTHERWISE USED WITHOUT AUTHORISATION. CONTRAVENTION WILL BE PROSECUTED

**OSSI**  
CONNECTORS

Postbox 125  
DK-4930 Maribo  
Denmark  
Tlf: 54782888 / Fax: 54783340

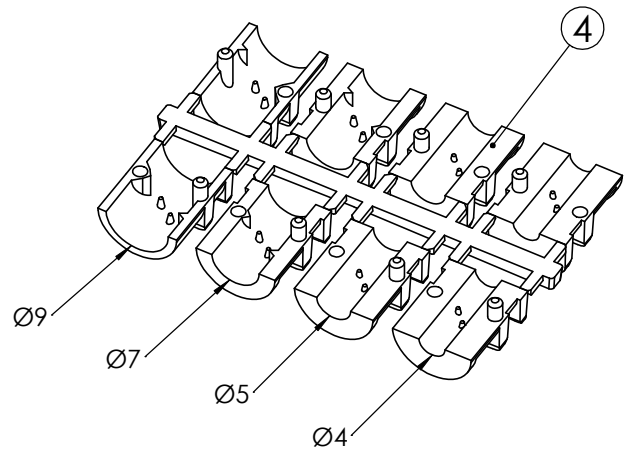
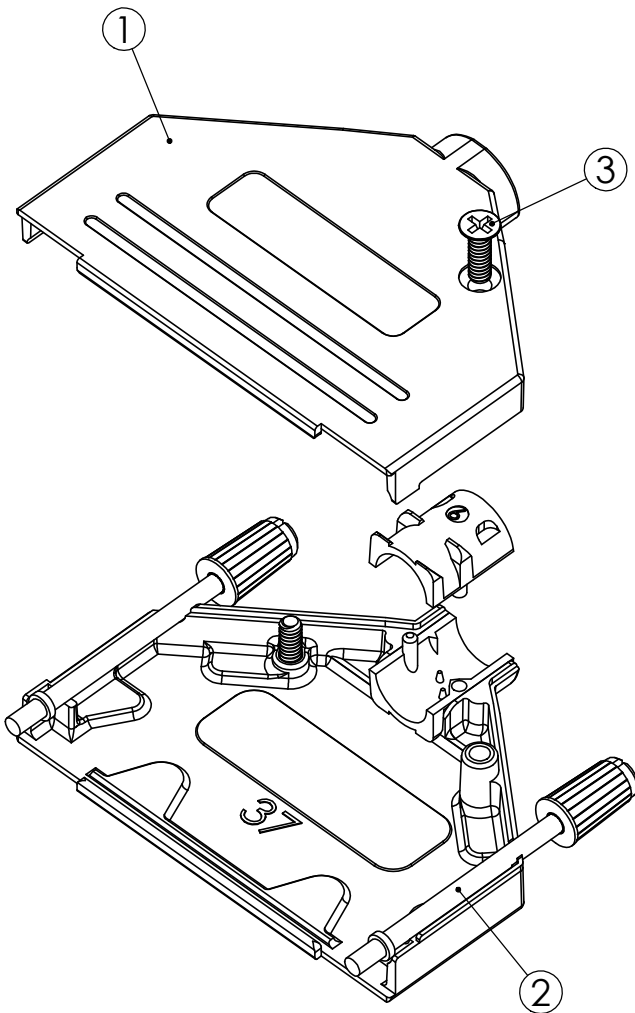
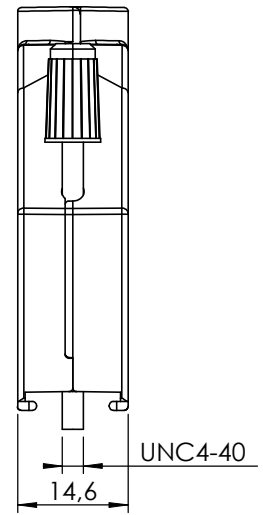
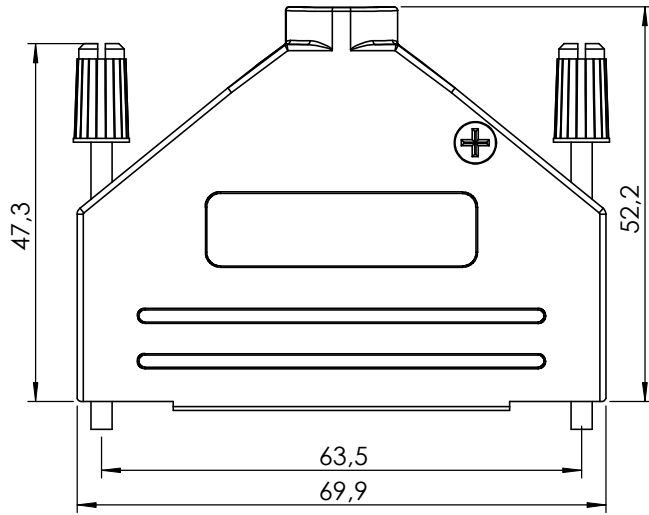
DTZK25

Draw.nr: 41325-3

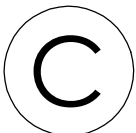
Date: 27.08.10

Rev.: B

Sign.: RK



ITEM NO.	QTY.	PART NO.	DESCRIPTION
1	2	DTZK37-D5	Cover half
2	2	D-JS	Jack screw
3	2	MFX-GF-M3x10	Screw
4	1	DVZK-D1	Strain relief



THIS DRAWING MUST NOT BE COPIED WITHOUT OUR PERMISSION, IMPARTED TO A THIRD PART OR OTHERWISE USED WITHOUT AUTHORISATION. CONTRAVENTION WILL BE PROSECUTED

**OSSI**  
CONNECTORS

Postbox 125  
DK-4930 Maribo  
Denmark  
Tlf: 54782888 / Fax: 54783340

DTZK37

Draw.nr: 41325-4

Date: 27.08.10

Rev.: A

Sign.: RK