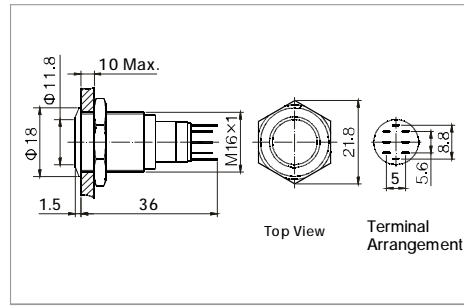


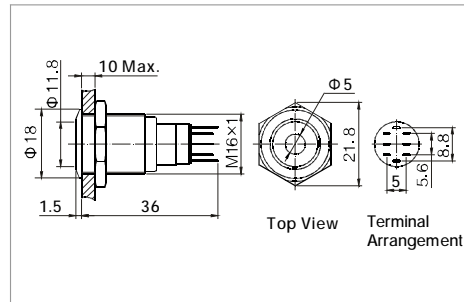
RJSX02-16



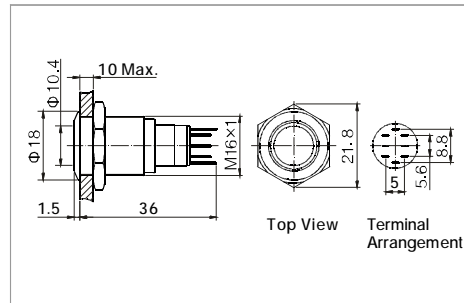
Φ16mm diameter
 Switch Rating: 3A/250VAC
 Contact Configuration: 1NO1NC / 2NO2NC
 Operation Type: Momentary / Latching
 The Front Shape: Flat Head
 The Surface Material: BS/SS/B/BLK
 IP Degree: IP40 / IP67



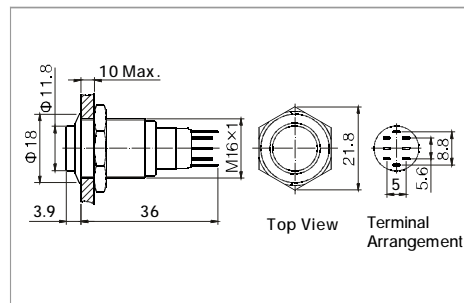
Φ16mm diameter
 Switch Rating: 3A/250VAC
 Contact Configuration: 1NO1NC / 2NO2NC
 Operation Type: Momentary / Latching
 The Front Shape: Flat Head
 The Surface Material: BS/SS/B/BLK
 Dot Illuminated
 IP Degree: IP40 / IP67



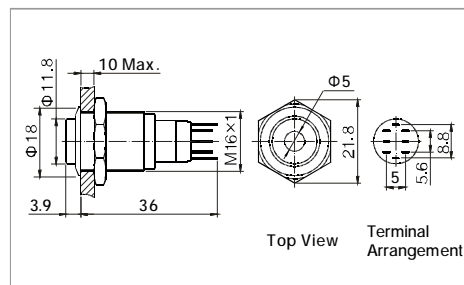
Φ16mm diameter
 Switch Rating: 3A/250VAC
 Contact Configuration: 1NO1NC / 2NO2NC
 Operation Type: Momentary / Latching
 The Front Shape: Flat Head
 The Surface Material: BS/SS/B/BLK
 Ring Illuminated
 IP Degree: IP40 / IP67



Φ16mm diameter
 Switch Rating: 3A/250VAC
 Contact Configuration: 1NO1NC / 2NO2NC
 Operation Type: Momentary / Latching
 The Front Shape: High Head
 The Surface Material: BS/SS/B/BLK
 IP Degree: IP40 / IP67



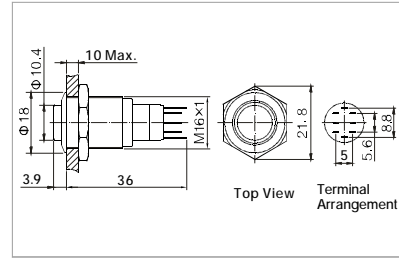
Φ16mm diameter
 Switch Rating: 3A/250VAC
 Contact Configuration: 1NO1NC / 2NO2NC
 Operation Type: Momentary / Latching
 The Front Shape: High Head
 The Surface Material: BS/SS/B/BLK
 Dot Illuminated
 IP Degree: IP40 / IP67



RJSX02-16



Φ16mm diameter
 Switch Rating: 3A/250VAC
 Contact Configuration: 1NO1NC / 2NO2NC
 Operation Type: Momentary / Latching
 The Front Shape: High Head
 The Surface Material: BS/SS/B/BLK
 Ring Illuminated
 IP Degree: IP40 / IP67



Specification	RJSX02-16-F-X RJSX02-16-H-X	RJSX02-16L-F-D-X-X-IP67 RJSX02-16L-H-D-X-X-IP67	RJSX02-16L-F-R-X-X-IP67 RJSX02-16L-H-R-X-X-IP67
The Front Shape	Flat Head High Head	Flat Head High Head	Flat Head High Head
Terminal Type	Pin Terminal (1.8x0.4mm)	Pin Terminal (1.8x0.4mm)	Pin Terminal (1.8x0.4mm)
Switching	No.3	No.3	No.3
Max. Switch Rating	I th:3A Ui:250VAC	I th:3A Ui:250VAC	I th:3A Ui:250VAC
Contact Resistance	≤50mΩ	≤50mΩ	≤50mΩ
Insulation Resistance	≥1000MΩ	≥1000MΩ	≥1000MΩ
Dielectric Intensity	2000VAC	2000VAC	2000VAC
Operating Temp	-20°C ~ +55°C	-20°C ~ +55°C	-20°C ~ +55°C
Mechanical Life	200,000cycles	200,000cycles	200,000cycles
Electrical Life	50,000cycles	50,000cycles	50,000cycles
Panel Thickness	1~10mm	1~10mm	1~10mm
Torque	5~14Nm	5~14Nm	5~14Nm
Operation Pressure	2.5~4N	2.5~4N	2.5~4N
Operation Distance	About 2.8mm	About 2.8mm	About 2.8mm
IP Degree	IP40/IP67	IP40/IP67	IP40/IP67
Material	Contact	Silver Alloy	Silver Alloy
	Button	BS/SS/B/BLK	BS/SS/B/BLK
	Body	BS/SS/B/BLK	BS/SS/B/BLK
	Base	PBT	PBT
LED SPEC	ROHS	Made to order	Made to order
	Type	Without Lamp	Dot Illuminated (LED)
	Colour	--	R G Y O B W R G Y O B W
	Rated Voltage	--	6V/12V/24V/110V/220V
Life	--	40,000 hours	40,000 hours