



## Control relay, 24 V DC, SWD



Powering Business Worldwide™

**Part no.** EASY802-DC-SWD

**Article no.** 152901

### Delivery programme

			
Product range			Control relays easyRelay
Basic function			easy800 with SmartWire-DT
Product range			SmartWire-DT control relay easy800
Description			Combines the functionality of an easy800 with direct connection to switchgear communication system for SmartWire-DT Up to 99 SmartWire-DT modules with a total of up to 166 inputs/outputs can be connected via a SmartWire-DT line
Inputs			
SmartWire-DT			83
Outputs			
SmartWire-DT			83
Additional features			
Display			without display, without keypad
Expansions			SmartWire-DT
Supply voltage			24 V DC
Software			EASY-SOFT-PRO
<b>Notes</b>			
Depending on the hardware, such as high-speed counter, PWM output, integrated analog input/output are not supported			

### Approbationen

NA Certification

Request filed for UL and CSA

### General

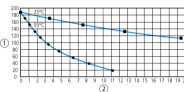

Standards			EN 55011, EN 55022, IEC/EN 61000-4, IEC 60068-2-6, IEC 60068-2-27
Dimensions (W x H x D)		mm	35 x 110 x 125.5 (2 PE)
Weight		kg	0.16
Mounting			Top-hat rail IEC/EN 60715, 35 mm or screw fixing using fixing brackets ZB4-101-GF1 (accessories)

### Terminal capacities

Solid		mm <sup>2</sup>	0.2/1.5 (AWG 24 - 16)
Flexible with ferrule		mm <sup>2</sup>	0.2/1.5 (AWG 24 - 16)

### Climatic environmental conditions

Operating ambient temperature		°C	In accordance with IEC 60068-2-1, -25 - +55
Condensation			Take appropriate measures to prevent condensation
LCD display (clearly legible)		°C	0 - 55
Storage		°C	In accordance with IEC 60068-2-1, -2, -14 -40 - +70

relative humidity		%	nach IEC 60068-2-30, IEC 600068-2-78 5 - 95
Air pressure (operation)		hPa	795 - 1080
<b>Ambient conditions, mechanical</b>			
Protection type (IEC/EN 60529, EN50178, VBG 4)			IP20
Vibrations		Hz	nach IEC 60068-2-6 konstante Amplitude 0.15 mm: 10 - 57 konstante Beschleunigung 2 g: 57 - 150
Mechanical shock resistance (IEC/EN 60068-2-27) semi-sinusoidal 15 g/11 ms		Impacts	18
Drop to IEC/EN 60068-2-31	Drop height	mm	50
Free fall, packaged (IEC/EN 60068-2-32)		m	0.3
Mounting position			Vertical or horizontal
<b>Electromagnetic compatibility (EMC)</b>			
Overvoltage category/pollution degree			III/2
Electrostatic discharge (ESD)			
applied standard			according to IEC EN 61000-4-2
Air discharge		kV	8
Contact discharge		kV	6
Electromagnetic fields (RFI), to IEC EN 61000-4-3		V/m	0.8 - 1.0 GHz: 10 1.4 - 2 GHz: 3 2.0 - 2.7 GHz: 1
Radio interference suppression			EN 55011 Class B
Burst			according to IEC/EN 61000-4-4 Supply cables: 2 Signal cables: 2 SWD lines: 2
power pulses (Surge)			according to IEC/EN 61000-4-5 1 kV (supply cables, symmetrical)
Immunity to line-conducted interference to (IEC/EN 61000-4-6)		V	10
<b>Insulation resistance</b>			
Clearance in air and creepage distances			EN 50178, UL 508, CSA C22.2, No. 142
Insulation resistance			EN 50178
<b>Back-up of real-time clock</b>			
Back-up of real-time clock			
			① Backup time (hours) with fully charged double layer capacitor ② Service life (years)
Accuracy of real-time clock to inputs		s/day	typ. $\pm 2$ ( $\pm 0.2$ h/Year)
			depending on ambient air temperature fluctuations of up to $\pm 5$ s/day ( $\pm 0.5$ h/year) are possible
<b>Repetition accuracy of timing relays</b>			
Accuracy of timing relays (of values)		%	$\pm 0.02$
Resolution			
Range "S"		ms	5
Range "M:S"		s	1
Range "H:M"		min	1
<b>Retentive memory</b>			
Write cycles of the retentive memory			$10^{14}$ (read/write cycles)
<b>Power supply</b>			
Rated operational voltage	$U_e$	V	24 DC (-15/+20%)
Permissible range			20.4 - 28.8 V DC
Residual ripple		%	 5
Siemens MPI, (optional)			yes
Input current			normally 500 mA at $U_e$
Einschaltstrom- und dauer		A	12.5 für 6 ms
Voltage dips		ms	$\leq$ In accordance with IEC 61131-2 $\leq 10$

Fuse		A	 3 A (T) (e.g. FAZ C3)
------	--	---	---

### Supply voltage $U_{Aux}$

Rated operational voltage		V	24 V DC (-15/+20%)
Permissible range			20.4 - 28.8 V DC
Output voltage SWD-OUT			$U_e - 0.3$ V
Siemens MPI, (optional)			yes
Residual ripple on the input voltage		%	 5
Max. current	$I_{max}$	A	3 (IEC) 2 (UL)
Short-circuit rating			no
Heat dissipation		W	Normally 1 W at 24 V DC
Potential isolation			from power supply POW: yes to COM interface: yes to SmartWire-DT: yes

### SmartWire-DT supply voltage

Rated operating voltage	$U_e$	V	$14.5 \pm 3$ %
max. current	$I_{max}$	A	0.4
Short-circuit rating			Yes
Potential isolation			from power supply POW: no to COM interface: yes to AUX: yes

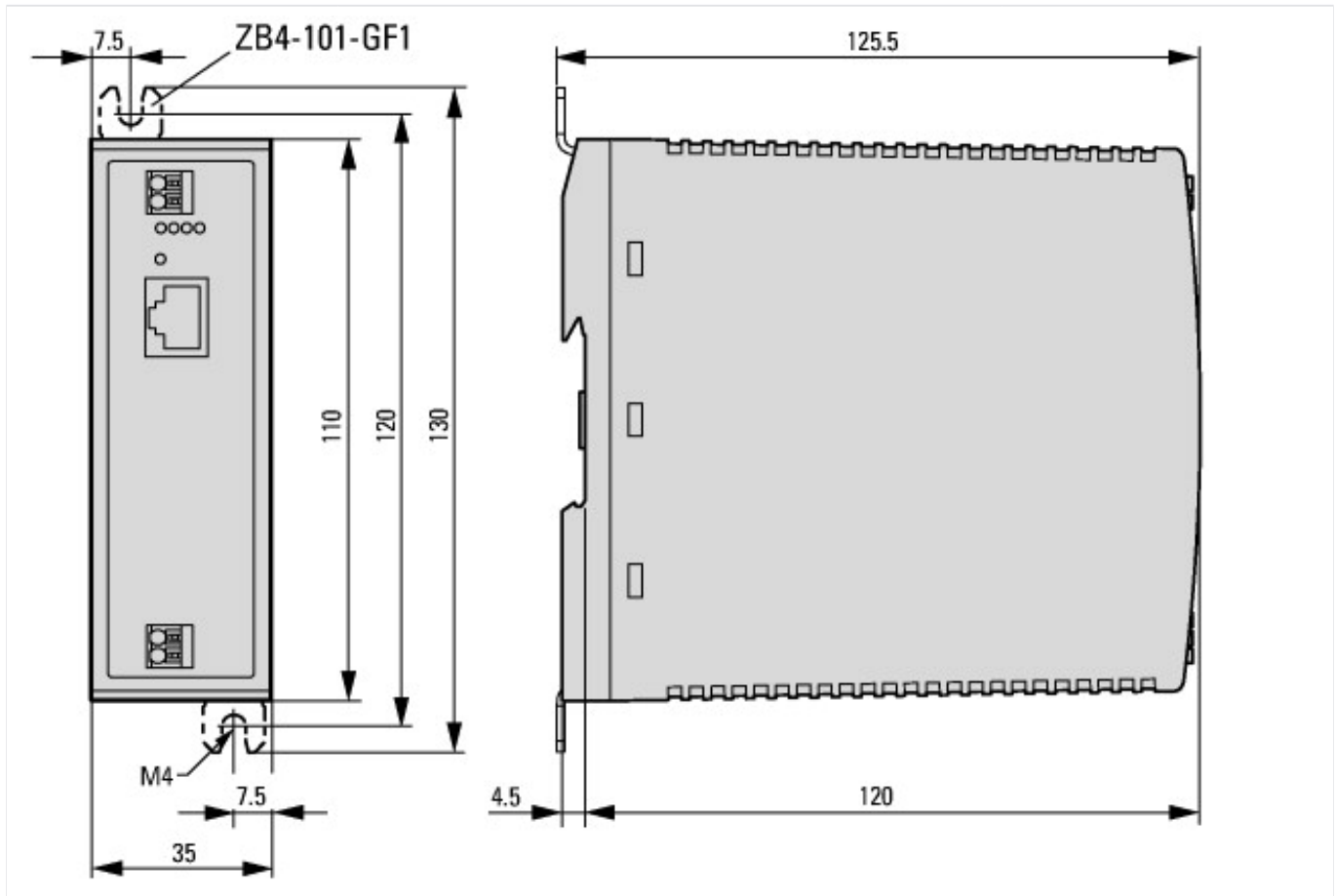
### SmartWire-DT network

Station type			Master
Number of SmartWire-DT slaves			Max.99
Baud Rates		kBd	125/250
Address allocation			Automatically (via Configuration button)
Status indication		LED	SWD-LED: orange/green/red Config. LED: green/red
Connections			Plug, 8-pole
Plug connectors			Blade terminal SWD4-8MF2
Bus termination			Integrated in the device SmartWire-DT line end with SWD4-RC8-10

### Netzwerk easyNet

Data transfer rate/distance			1000 KBit/s, 6 m 500 KBit/s, 25 m 250 Kbit/s, 40 m 125 Kbit/s, 300 m 50 KBit/s, 300 m 20 KBit/s, 700 m 10 KBit/s, 1000 m Lengths from 40 m can be obtained only with cables with reinforced cross-section and terminal adapter.
Potential isolation			from power supply POW: yes From the inputs: yes from the outputs: yes to COM interface: yes to SmartWire-DT: yes to AUX: yes
Bus termination (first and last station)			ja
Anschlussstechnik			RJ45, 8-polig

## Dimensions



#### Additional product information (links)

<b>IL05013041Z easy800-SWD</b>	
IL05013041Z easy800-SWD	<a href="ftp://ftp.moeller.net/DOCUMENTATION/AWA_INSTRUCTIONS/IL05013041Z2011_08.pdf">ftp://ftp.moeller.net/DOCUMENTATION/AWA_INSTRUCTIONS/IL05013041Z2011_08.pdf</a>
<b>MN04902001Z-EN (AWB2528-1423) easy800 Control Relay</b>	
MN04902001Z-DE (AWB2528-1423) Steuerrelais easy800 - Deutsch	<a href="ftp://ftp.moeller.net/DOCUMENTATION/AWB_MANUALS/MN04902001Z_DE.pdf">ftp://ftp.moeller.net/DOCUMENTATION/AWB_MANUALS/MN04902001Z_DE.pdf</a>
MN04902001Z-EN (AWB2528-1423) easy800 Control Relay - English	<a href="ftp://ftp.moeller.net/DOCUMENTATION/AWB_MANUALS/MN04902001Z_EN.pdf">ftp://ftp.moeller.net/DOCUMENTATION/AWB_MANUALS/MN04902001Z_EN.pdf</a>
BR05013001Z-EN, easy Family	<a href="http://www.moeller.net/binary/w_brochures/br05013001z-en.pdf">http://www.moeller.net/binary/w_brochures/br05013001z-en.pdf</a>
Labeleditor	<a href="ftp://ftp.moeller.net/MFD/EASY-SOFT-PRO/labeleditor_206.exe">ftp://ftp.moeller.net/MFD/EASY-SOFT-PRO/labeleditor_206.exe</a>