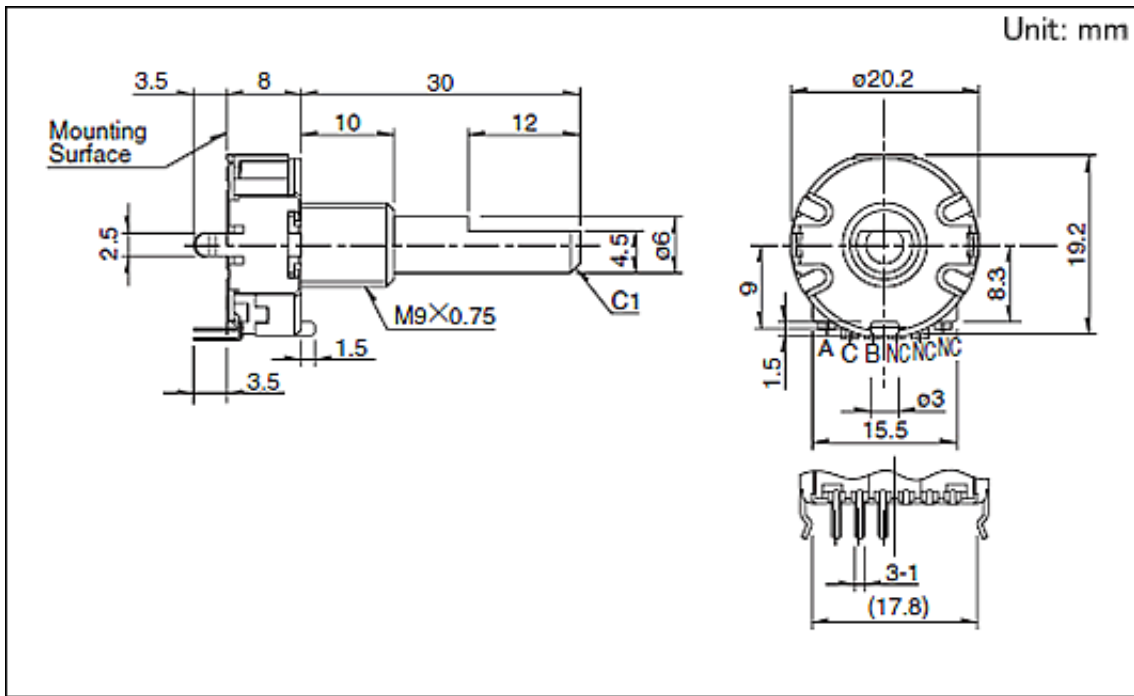


20mm Size Metal Shaft Type EC20A Series

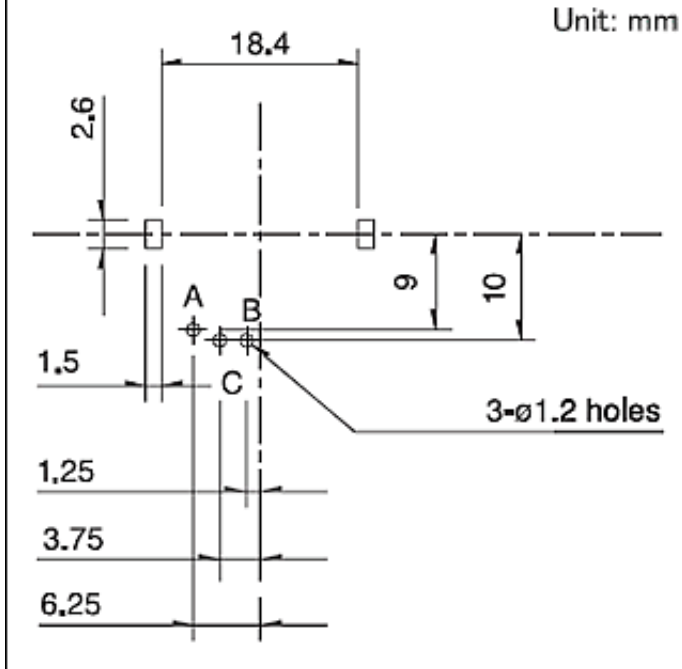
Detail

Part number	EC20A1820401	
Actuator configuration	Flat	
Actuator length	30mm	
Number of detent	18	
Number of pulse	18	
Operating direction	Vertical	
Minimum order unit (pcs.)	800	
Operating temperature range	-30°C to +85°C	
Maximum operating current (Resistive load)	10mA	
Electrical performance	Ratings	1mA 5V DC
	Output signal	Output of A and B signals, proportionate to phase difference
	Insulation resistance	10M Ω min. 50V DC
	Voltage proof	50V AC for 1 minute
Mechanical performance	Detent torque	40 \pm 20mN·m
	Push-pull strength	100N
Resistance to soldering heat	Manual soldering	350°C max. 3s max.
	Dip soldering	260 \pm 5°C, 5 \pm 1s
Durability	Operating life	30,000 cycles
Environmental performance	Cold	-30 \pm 3°C for 240h
	Dry heat	85 \pm 3°C for 240h
	Damp heat	60 \pm 3°C, 90 to 95%RH for 240h
3D CAD (STEP)		
Certificate of Compliance to RoHS regulations		

Photo**Dimensions**



● Mounting Hole Dimensions

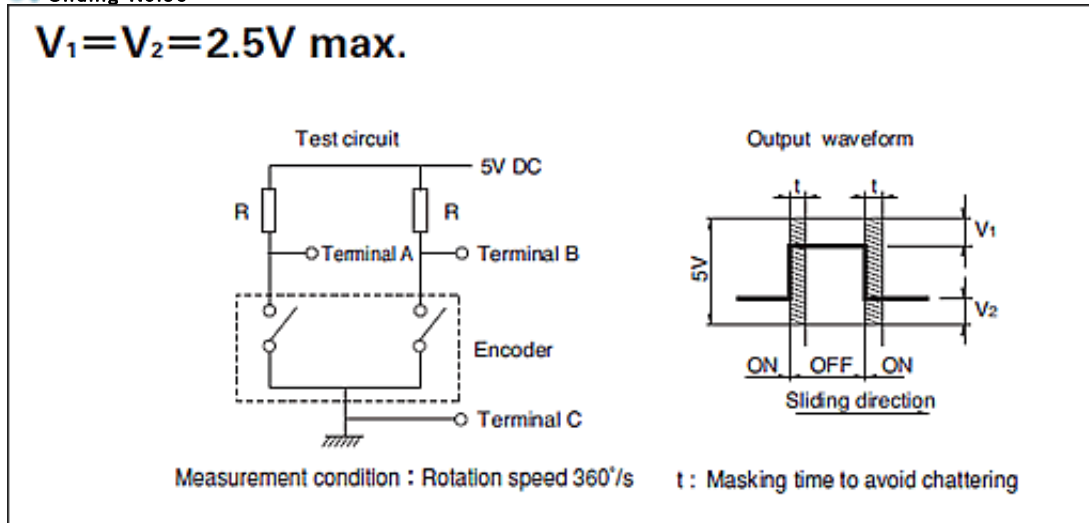


Viewed from mounting face.

● Output Wave

Shaft rotational Direction	Signal	Output
Clockwise	A (Terminal A–C)	
	B (Terminal B–C)	
Counter-clockwise	A (Terminal A–C)	
	B (Terminal B–C)	
		The broken line shows Detent position

Sliding Noise



At R=5kΩ Chattering: 8ms max. Bounce: 5ms max.

Packing Specifications

Tray

Number of packages (pcs.)	1 case / Japan	400
	1 case / export packing	800
Export package measurements (mm)		374 × 508 × 272

NOTE

Notes are common to this series/models.

1. This site catalog shows only outline specifications. When using the products, please obtain formal specifications for supply.
2. Please place purchase orders per minimum order unit (integer).
3. This products can be used in vehicles.
Although these products are designed to perform over a wide operating temperature range, please ensure that you receive and read the formal delivery specifications before use.