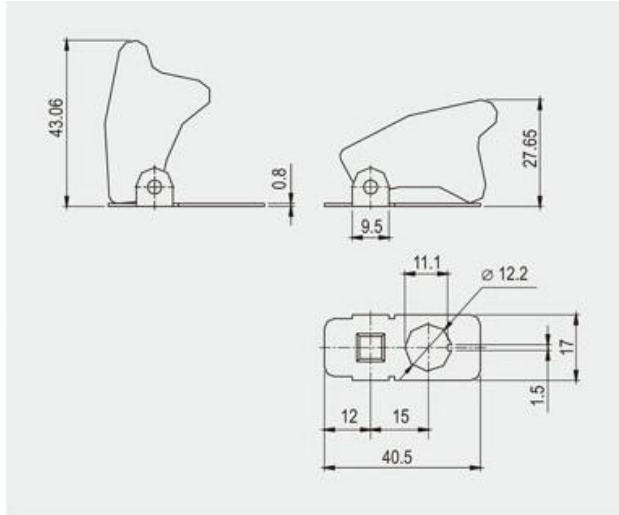


SAFETY COVER

R17-10



FEATURES

- * MATERIAL: Panel: steel with black glossy finish.
- * Mounting hole diameter: 12.2mm (0.481").
- * Accepts switches with standard M12.0 or 15/32" diameter mounting hole.
- * The length of switch's lever can't over 25mm.
(Fits SCl switch R13-5,R13-8,R13-28,R13-404, R13-61 series)
- * For color option, contact sales dept.



R17-10

MATERIAL

B ABS