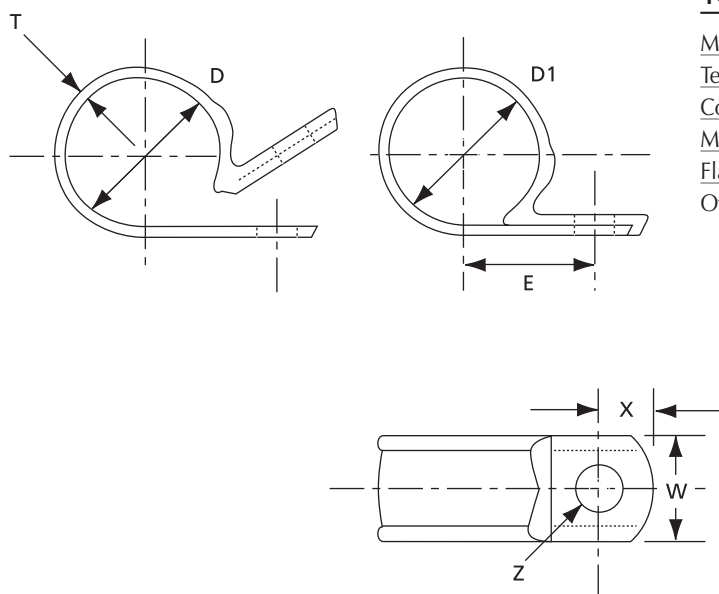


# Accessories

## Cable clamps

### Self-aligning cable clamps

- Moulded-in saddle washer enhances performance and appearance
- Self-alignment feature makes this clamp ideal for assembly applications
- 14 diameters and 2 widths with mounting holes for M4 and M5 screws
- Item numbers moulded-in for easy identification
- Indoor application



### Technical Information

Material	Heat-stabilised Polyamide 6.6
Temperature range	-40°C to +105°C
Colour	Black
Mounting method	Screw
Flammability rating	UL 94 V-2
Other properties	Halogen free, Silicone free

### Ordering Information

PRODUCT REF.	DIMENSIONS							QUANTITY
	D NOMINAL DIAMETER [mm]	D1 CLOSED DIAMETER [mm]	E [mm]	T [mm]	W [mm]	Z [mm]	X [mm]	
W4NY-125-0-C	3.17	2.89	8.46	1.02	9.52	4.24	6.53	100
W4NY-187-0-C	4.76	4.36	9.02	1.02	9.52	4.24	5.53	100
W4NY-250-0-C	6.34	5.94	9.70	1.02	9.52	4.24	4.83	100
W4NY-312-0-C	7.93	7.54	10.71	1.02	9.52	4.24	5.21	100
W4NY-375-0-C	9.52	9.11	11.53	1.02	9.52	4.24	5.33	100
W4NY-500-0-C	12.69	12.29	12.45	1.02	9.52	4.24	6.76	100
W6NY-562-0-C	14.28	13.90	16.68	1.52	12.69	5.15	5.99	100
W6NY-625-0-C	15.87	15.46	16.17	1.52	12.69	5.15	7.37	100
W6NY-687-0-C	17.46	17.06	17.63	1.52	12.69	5.15	8.31	100
W6NY-750-0-C	19.04	18.64	18.44	1.52	12.69	5.15	8.28	100
W6NY-812-0-C	20.63	20.24	19.71	1.52	12.69	5.15	8.20	100
W6NY-875-0-C	22.22	21.81	18.62	1.52	12.69	5.15	7.87	100
W6NY-1000-0-C	25.39	24.99	22.38	1.52	12.69	5.15	7.42	100
W6NY-1250-0-C	31.73	31.16	25.65	1.52	12.69	5.15	8.61	100

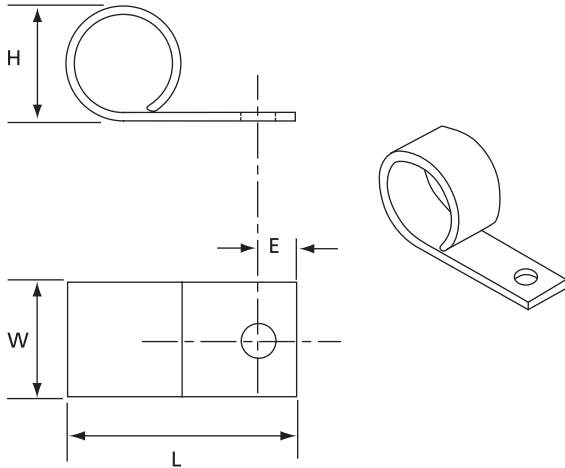
Also available in quantities of 1,000 pieces. For other colours please contact your Sales Office

# Accessories

## Cable clamps

### Rigid PVC cable clamps

- Open mounting clips
- Easy to use: cables, for example, are simply pushed sideways into the clip one by one



### Technical Information

Material	Rigid PVC
Temperature range	-40°C to +85°C
Colour	White
Mounting method	Screw
Flammability rating	UL 94 V-2

### Ordering Information

PRODUCT REF.	DIMENSIONS				MOUNTING HOLE Ø [mm]	WEIGHT [g/100]	QUANTITY [pieces]
	H [mm]	W [mm]	L [mm]	E [mm]			
TC70	6.4	9.9	22.2	6.4	5.2	49	100
TC71	12.7	9.9	29.0	6.4	5.2	123	100
TC72	20.6	13.1	36.9	6.4	5.2	259	100
TC73	25.4	13.1	46.8	6.4	5.2	399	100
TC74	38.1	13.1	58.3	6.4	5.2	608	100

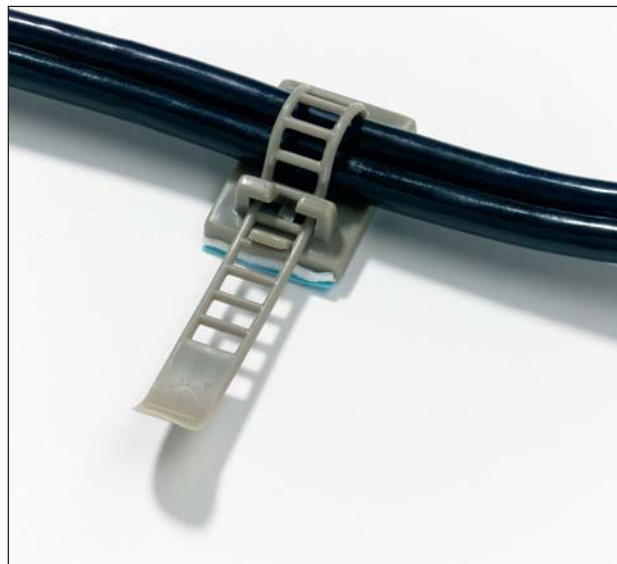
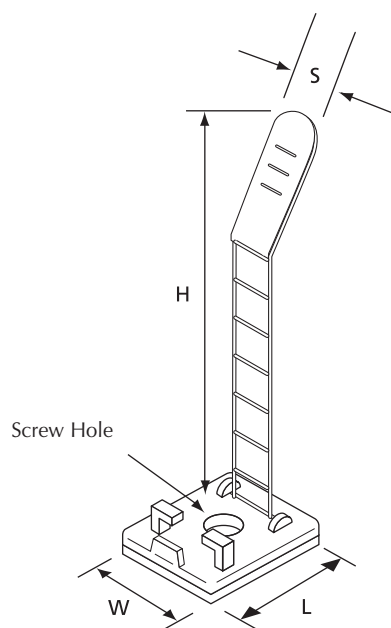
For other quantities please contact your Sales Office

# Accessories

## Cable clamps

### Adjustable, ladder style clamps

- Ladder style fastener is easily released and refastened
- Supplied "single-cut" on a rubber based closed cell foam adhesive
- In addition, can also be mounted with a screw, for improved pull-off strength



### Technical Information

Material	Polyamide 6.6
Temperature range	-40°C to +85°C
Colour	Grey
Mounting method	Self adhesive and / or screw-mounting
Flammability rating	UL 94 V-2 (clamp)
Other properties	Halogen free, Silicone free

### Ordering Information

PRODUCT REF.	DIMENSIONS				BUNDLE DIAMETER RANGE [mm]	SCREW HOLE DIAMETER [mm]	QUANTITY [pieces]
	H [mm]	W [mm]	L [mm]	S [mm]			
ULNY-013-8-C	59.5	18	25	8	3 - 12.7	2.79	100
ULNY-018-8-C	79.4	21	30	12	5 - 21.0	2.79	100
ULNY-023-8-C	85.5	25	35	14	7 - 25.0	3.43	100

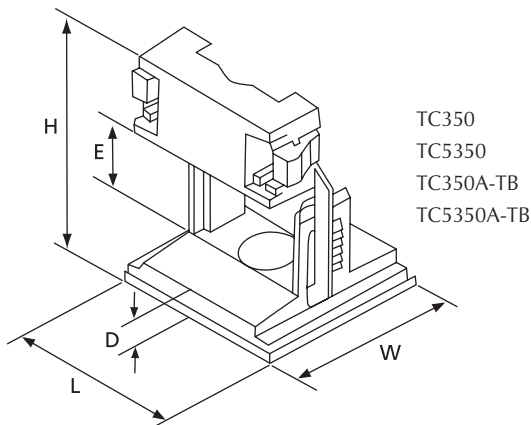
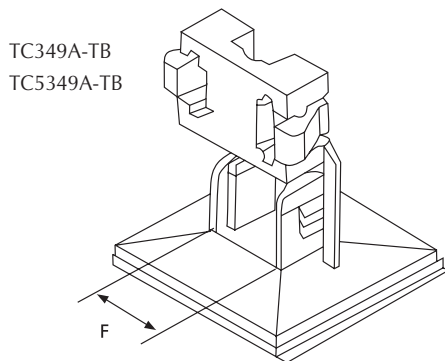
For other quantities please contact your Sales Office

# Accessories

## Cable clamps

### Latching clamps

- Re-usable tie mounting clamps
- For self-adhesive and / or screw- or rivet mounting
- One-piece design with integrated releasable lock
- The inner profile protects sensitive cables, fibre optics etc
- Desired height can be set in 3 or 6 ratchet steps
- The large base surface area and the strong adhesive film guarantees a high adhesive strength
- The self-adhesive film is foam backed (0.8 mm) to compensate for any irregularities on the mounting surface



### Technical Information

Material	Polyamide 6.6
Temperature range	-40°C to +85°C
Colour	Natural
Mounting method	Self adhesive or screw-mounting
Flammability rating	UL 94 V-2
Other properties	Halogen free, Silicone free

### Ordering Information

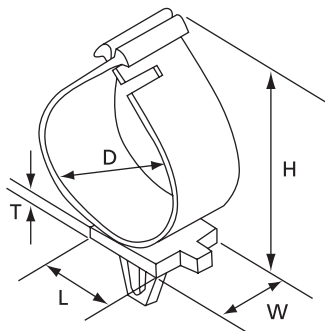
PRODUCT REF.	MOUNTING METHOD	DIMENSIONS						E HEIGHT OF CLAMPING AREA MIN. - MAX. [mm]	F WIDTH OF CLAMPING AREA [mm]	MOUNTING HOLE Ø [mm]	WEIGHT [g/100]	QUANTITY [pieces]
		H MAX. [mm]	H MIN. [mm]	W [mm]	L [mm]	D [mm]						
TC349A-TB	self-adhesive	14.5	11.5	25.0	25.0	2.7	6 - 8.5	6	-	120	1000	
TC5349A-TB	self-adhesive	14.5	11.5	25.0	25.0	2.7	6 - 8.5	6	-	120	100	
TC350A-TB	self-adhesive /screw	22.0	18.0	25.0	25.0	4.7	6 - 12.5	15	4.3	400	1000	
TC5350A-TB	self-adhesive / screw	22.0	18.0	25.0	25.0	4.7	6 - 12.5	15	4.3	400	100	
TC350	screw	21.3	17.2	25.0	25.0	4.0	6 - 12.5	15	4.3	380	1000	
TC5350	screw	21.3	17.2	25.0	25.0	4.0	6 - 12.5	15	4.3	380	100	

# Accessories

## Cable clamps

### Re-openable clamps

- Simple installation
- Can be mounted by clipping-in or gluing
- For series production or as a temporary support during wiring installation
- Clip ends are rounded for comfortable re-opening
- Product Ref. TC 95 features 2-stage lock



### Technical Information

Material	Polyamide 6.6
Temperature range	-40°C to +85°C
Colour	Natural
Mounting method	Clip in
Flammability rating	UL 94 V-2
Other properties	Halogen free, Silicone free

### Ordering Information

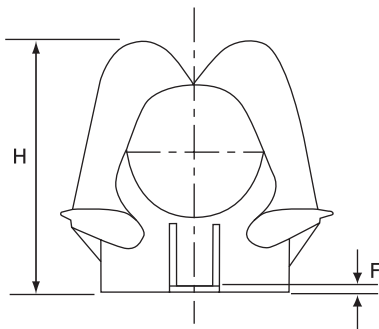
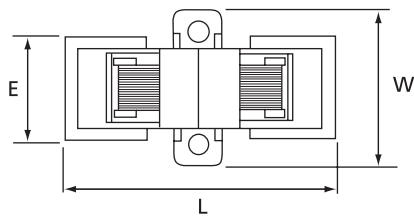
PRODUCT REF.	DIMENSIONS					FOR WALL THICKNESS FROM ... TO	MOUNTING HOLE Ø	WEIGHT	QUANTITY
	H [mm]	W [mm]	L [mm]	D [mm]	T [mm]				
TC88	22.6	12.7	19.1	12.7	2.5	2.5 - 3.6	5.7 - 7	115	100
TC95	40.5	12.7	19.1	25.4	2.5	2.5 - 3.6	5.7 - 7	278	100

# Accessories

## Mounting clamp

### Re-openable clamps with springs

- Holding clips with rubberised fabric tape
- The built-in springs hold the cable bundle safely in the desired position
- The upper clip end is rounded for easy addition of cables
- Strong fixing due to two mounting holes, aligned along the axis of the cable bundle



### Technical Information

Material - Body	Polyamide 6.6
Material - Elastic	Rayon & natural rubber
Material - Spring	Steel
Temperature range	-40°C to +85°C
Colour	Natural
Mounting method	2 screws
Flammability rating	UL 94 V-2 (body)
Other properties	Halogen free

### Ordering Information

PRODUCT REF.	DIMENSIONS					MAX. BUNDLE Ø	MOUNTING HOLE Ø	WEIGHT	QUANTITY
	H [mm]	L [mm]	W [mm]	E [mm]	F [mm]				
TC86	46	44.5	31.8	22.2	2.5	19	3.9	860	25
TC87	58	62.7	38.1	25.4	2.5	32	3.9	1950	25