

A


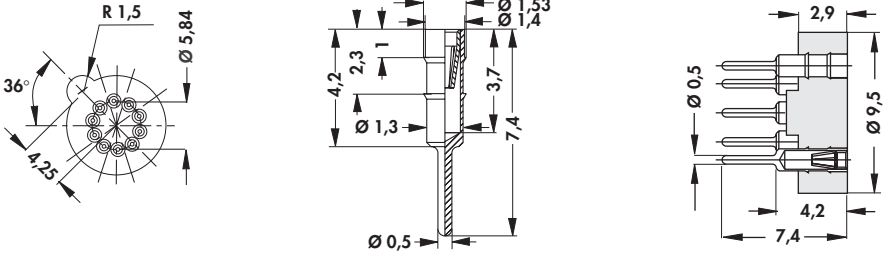
Sockets for TO ... cases

B

C

D

Sockets for TO 5

	
art. no.	no. of contacts
PF 510 ...	10
please indicate: ... surface G = gold-plated Z = tin-plated	


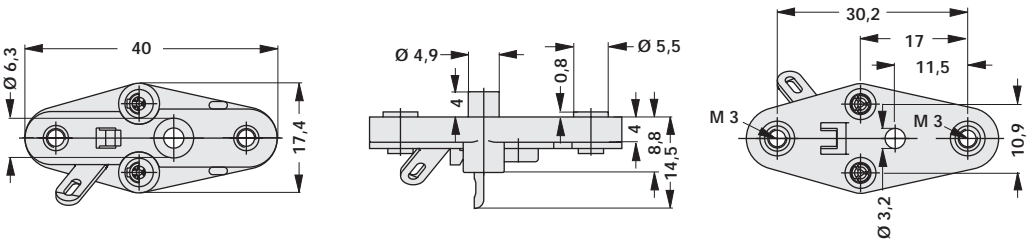
E

contact spring: gold-plated

F

G

Sockets for power transistors TO 3

	
art. no.	no. of contacts
TF 3 2	3

H

insulator: PCT, glassfibre filled

contact: beryllium copper; 4 ... 6 μm Sn

I

Technical data:

current rating: 15 A max.

capacitance: 1 pF

 contact resistance: < 10 m Ω

 insulation resistance: > 10¹⁰ Ω /cm

temperature range: -65 °C ... +290 °C

test voltage: 1650 V

K

L

M

N

F 21
Single contacts metal strip
Jumper links
Jumper links
Teflon sockets/TO 5 & TO 18

 → G 26
 → F 25
 → F 25
 → F 22 - 23

Special DIL sockets
DIL platform adapters & cases
Connector-sleeves

 → F 13
 → F 14 - 15
 → F 26 - 28