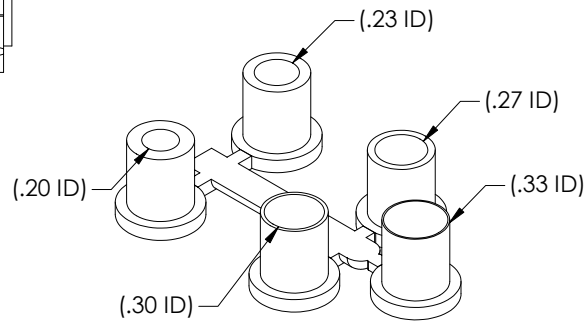
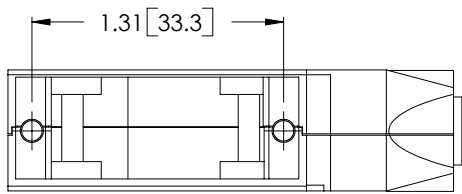
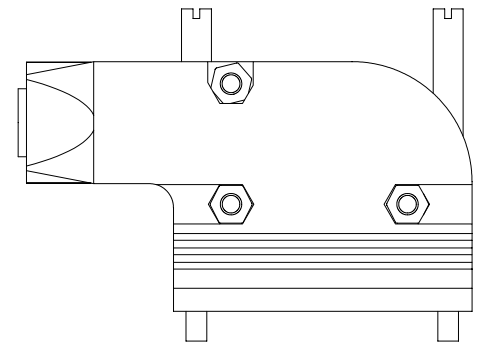
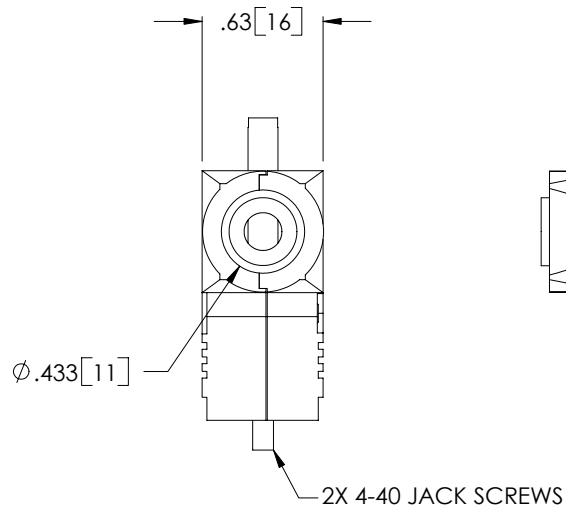
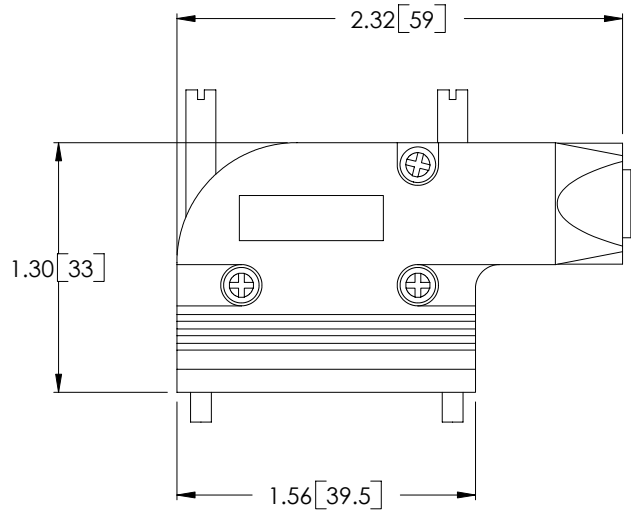
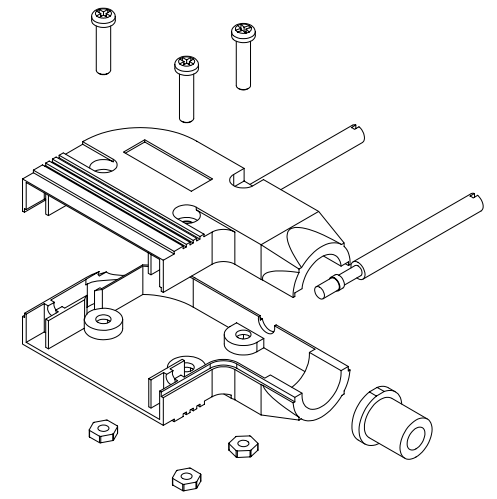


THE INFORMATION CONTAINED IN THIS DRAWING IS THE SOLE PROPERTY OF L-COM, INC. ANY REPRODUCTION IN PART OR WHOLE WITHOUT THE WRITTEN PERMISSION OF L-COM, INC. IS PROHIBITED.

REVISIONS			
REV	DESCRIPTION	DATE	APPROVED
A	RELEASED FOR PRODUCTION	03/04/02	MCCORMICK
.	.	.	.
.	.	.	.
.	.	.	.



GROMMETS AS SUPPLIED



- NOTES:
 1. MATERIAL: ZINC ALLOY
 GROMMET: SYNTHETIC RUBBER (BLACK)
 2. FINISH: NICKEL PLATED

UNLESS OTHERWISE SPECIFIED,
 DIMENSIONS ARE IN INCHES
 TOLERANCES ARE:
 X ±.1
 .XX ±.05
 .XXX ±.005
 CABLE LENGTH TOLERANCE
 <300" ±5% >300" ±2%

APPROVALS	DATE
DRAWN MCCORMICK	02/27/02
CHECKED D.PARHAM	02/27/02
APPROVED BY R.CARRICK	02/27/02

CONFIGURATION DETAILS OF
 UNDIMENSIONED FEATURES
 MAY VARY

L-com[®] 45 BEECHWOOD DRIVE
 CONNECTIVITY PRODUCTS NORTH ANDOVER, MA 01845

PRODUCT DESCRIPTION
CAST METAL HOOD KIT FOR DB15

DRAWING TITLE
OUTLINE DRAWING

SIZE	FSCM NO.	DWG. NO.	REV.
A	43321	SDRA15AG-OD1	A
SCALE 1:1	CAD FILE: SDR15AG-OD1.SLDDRW	SHEET 1 OF 1	