

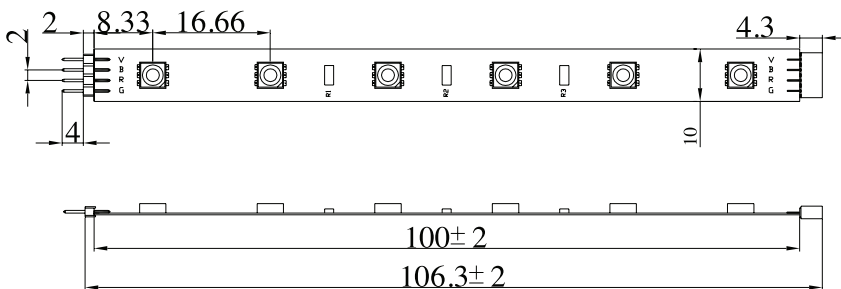
6 LEDs RGB 100mm F-PCB 24V DC



Features:

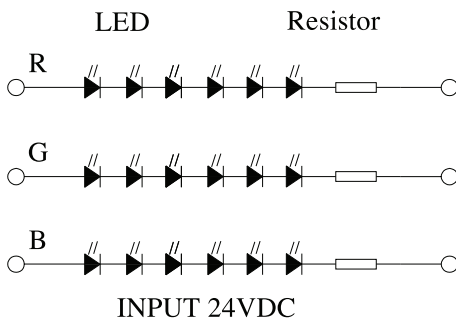
- There is a male and female black connector on the strip terminals
- Operation Voltage: 24V DC

Package Dimensions:



All dimensions are in mm
Tolerance: ±0.5mm

Circuits:



This Circuit has 16 parallels

Absolute Maximum Ratings at Ta=25°C

Parameter	Symbol	Rating	Unit
Power Dissipation	P _D	2.25	W
D.C. Forward Current	I _F	75	mA
Operating Temperature Range	T _{opr.}	-25 to +85	°C
Storage Temperature Range	T _{stg.}	-40 to +100	°C
Electrostatic Discharge	ESD	6,000	V
Electrostatic Discharge (ESD)	Tsol.	Dip Soldering: 260°C for 5sec. Hand Soldering: 350°C for 3 sec.	



6 LEDs RGB 100mm F-PCB

24V DC



Electrical & Optical Characteristics:

Parameter		Symbol	Condition	Min.	Typ.	Max.	Unit
Luminous Intensity (per LED)	Red	I _v	I _f =20mA	75.6	150		mcd
	Green			150	350		
	Blue			80	200		
Forward Current	Red	I _f	V _{in} =12V DC		20	25	mA
	Green				20	25	
	Blue				20	25	
Dominant Wavelength (per LED)	Red	λ _D	I _f =20mA		630		nm
	Green				520		
	Blue				465		
Viewing Angle (per LED)	Red	2 θ ½	I _f =20mA		120		deg
	Green				120		
	Blue				120		

Part Number Table

LED Chip		Lens colour	Part Number
Material	Emitting Colour		
AlGaInP	Super red	Water clear	703-0199
InGaN	True green		
InGaN	Blue		

Important Notice : This data sheet and its contents (the "Information") belong to the members of the Premier Farnell group of companies (the "Group") or are licensed to it. No licence is granted for the use of it other than for information purposes in connection with the products to which it relates. No licence of any intellectual property rights is granted. The Information is subject to change without notice and replaces all data sheets previously supplied. The Information supplied is believed to be accurate but the Group assumes no responsibility for its accuracy or completeness, any error in or omission from it or for any use made of it. Users of this data sheet should check for themselves the Information and the suitability of the products for their purpose and not make any assumptions based on information included or omitted. Liability for loss or damage resulting from any reliance on the Information or use of it (including liability resulting from negligence or where the Group was aware of the possibility of such loss or damage arising) is excluded. This will not operate to limit or restrict the Group's liability for death or personal injury resulting from its negligence. Multicomp is the registered trademark of the Group. © Premier Farnell plc 2012.

