

5

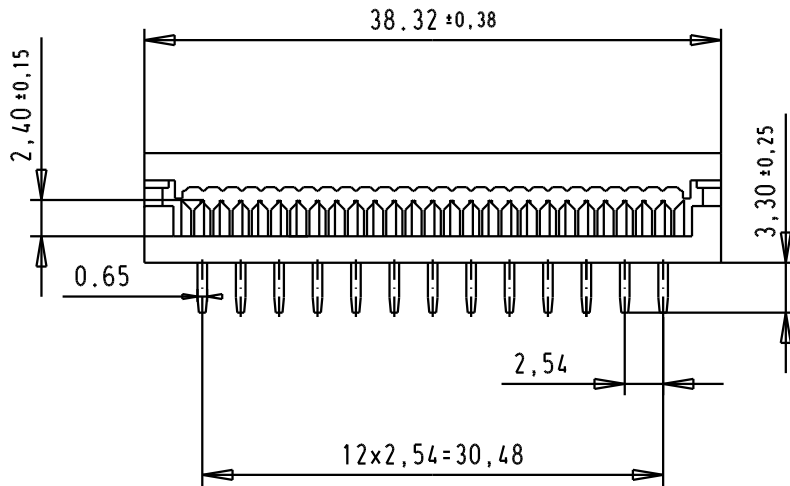
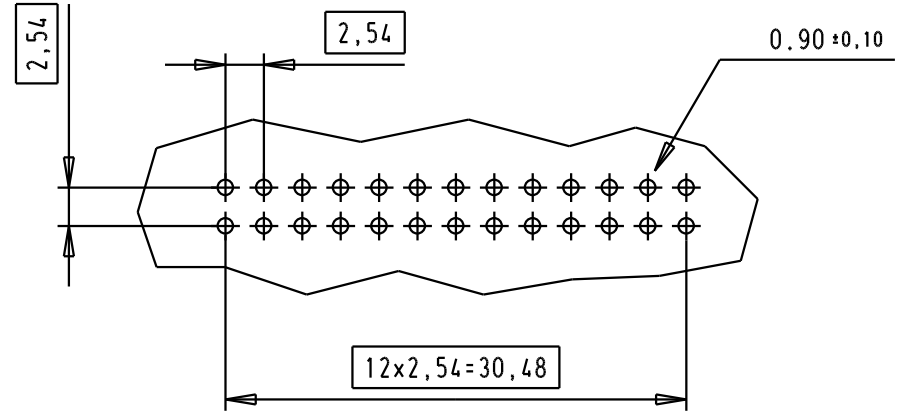
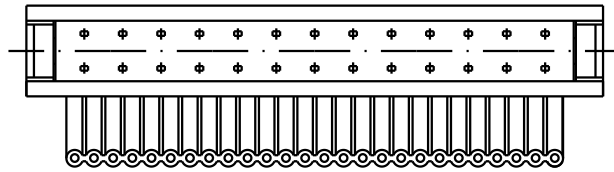
4

3

2

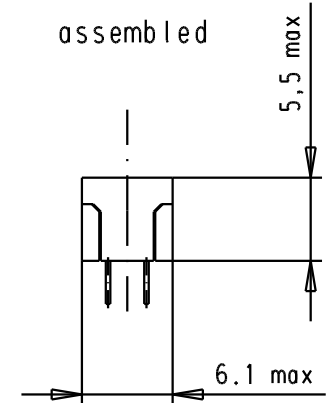
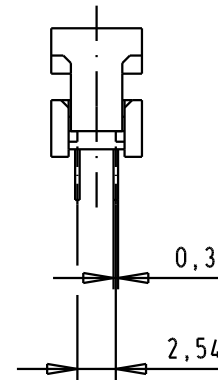
1


Printed board layout, component side



pre assembled

assembled



						 All Dim. in mm Orig. Size DIN A 4	SEK 18, P.C.B Transition 26 poles connector 2 rows - Low Profile	Maßstab/ Scale 2:1
			Detail.	02/04/04	JH			
			Insp.					
			Stand.					
	31884	02/04/04	JH	HARTING EURL F-95972 Paris			TB 09181269622 Sub.	Blatt/ Page 1 /
	Mod.	Del.	Name					

09181269622
part number

D

C

B

A