

Installation Instructions

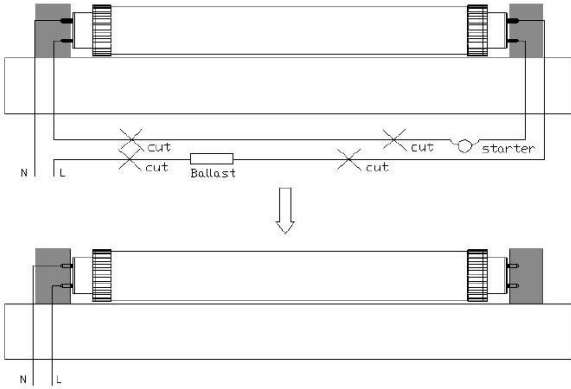
Each retrofit kit consists of a LED Tube Lamp (1 pcs), installation instructions (1 pcs), and label (1pc)

Wiring diagram: Applies to North America countries

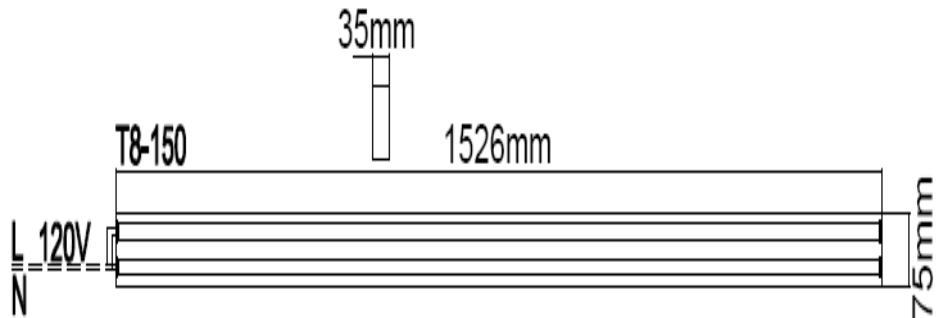
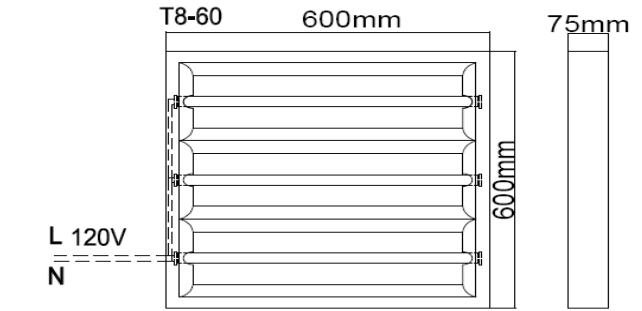
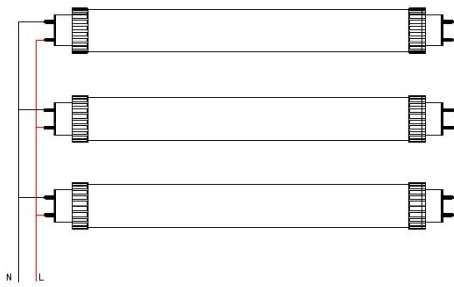
T8-60, T8-120, T8-150

Note: The end of the lamp input L, N for product input.
"AC Input" marked on the lamp end which is intended for power supply.

Revised circuit diagram as below:

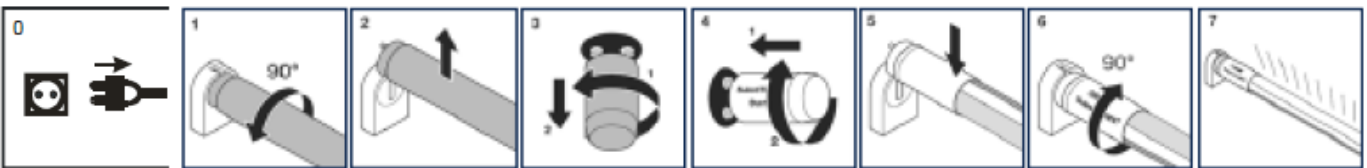


Make new Wire connection as below:



Installation Steps:

- Step 1: Switch off the power supply of the lamp dish. (Figure 0)
- Step 2: Take out the starter and the traditional tube. (Figures 1 & 2)
- Step 3: Disconnect the inductive ballast and the AC input lines between in the two ends of the lamp dish. (Figures 3 & 4)
- Step 4: Connect the one end with the input line L and N, and no need connecting any line for the other end. (Figure 5)
- Step 5: Fix the LED tube. The direction of installing: the L, N marked on the one end of T8 tube should match the input end of the lamp dish. (Figure 6)
- Step 6: Switch on the power supply, then light up the LED T8 tubes. (Figure 7)



Technology Parameter:

NO	Item	Parameter scope		
		T8-60	T8-120	T8-150
1	Model	T8-60	T8-120	T8-150
2	Operating voltage	AC120V 50Hz/60Hz		
3	Input current	<0.1A	<0.17A	<0.2A
4	Power factor	>0.9	>0.9	>0.9
5	Max power consumption	11W	20W	24W
6	Beam angle	120°		
7	LED Color	White		
8	Operating humidity	10-90%		
9	Operating temperature	-20-40℃		
10	Weight	0.22kg	0.4kg	0.49kg
11	Dimension	590*Φ26	1199*Φ26	1500*Φ26

Caution:

1. For Indoor Use Only
2. Not for outdoor use
3. Not for emergency light use
4. Don't use the tube in alkaline cultures.
5. The device should be installed and operated by a qualified electrician or technician in accordance with relevant local codes.

User Responsibilities:

The responsibility of complying with all state and local laws, ordinances, and regulations in regards to the installation, maintenance, and operation of the device lies with the buyer and handler of the device. These parties may include, but are not limited to the contractor, installer, purchaser, owner, and user of the product.

Features & Applications:

1. The super driver, which is with the super power factor and super efficiency.
2. More stable, more bright
3. Certificate: CE RoHS
4. Applications: Commercial Buildings, Retail, Factory/office building, etc.

Meaning of crossed-out wheeled dustbin:

Do not dispose of electrical appliances as unsorted municipal waste, use separate Collection facilities. Contact your local government for information regarding the collection systems available. If electrical appliances are disposed of in landfills or dumps, hazardous substances can leak into the groundwater and get into the food chain, damaging your health and well-being.

IMPORTANT SAFETY INSTRUCTIONS

- ❖ Danger – Risk Of Shock – Disconnect Power Before Installation.
- ❖ WARNING - Risk of fire or electric shock. The electrical rating of these products are 120Vac, the installer must determine whether they have 120Vac at the luminaire before installation.
- ❖ This product must be installed in accordance with the applicable installation code by a person familiar with the construction and operation of the product and the hazards involved.
- ❖ WARNING - Risk of fire or electric shock. Reflector kit installation requires knowledge of fluorescent lighting luminaires electrical systems. If not qualified, do not attempt installation. Contact a qualified electrician.
- ❖ WARNING - Risk of fire or electric shock. Install this kit only in the luminaires that has the construction features and dimensions shown in the photographs and/or drawings.
- ❖ WARNING - To prevent wiring damage or abrasion, do not expose wiring to edges of sheet metal or other sharp objects.
- ❖ Not for Use in totally enclosed luminaires.
- ❖ “The end retrofit luminaire has been modified and can no longer operate the originally intended lamp.”
- ❖ WARNING: Risk of fire or electric shock. Do not use this retrofit kit in luminaires employing shunted bi-pin lampholders.
- ❖ Do not make or alter any open holes in an enclosure of wiring or electrical components during kit installation. Only those open holes indicated in the photographs and/or drawings may be made or altered as a result of kit installation. Do not leave any other open holes in an enclosure of wiring or electrical components.
- ❖ WARNING: To avoid potential fire or shock hazard, do not use this retrofit kit in luminaires employing shunted bi-pin lampholders. Note: Shunted lampholders are found only in fluorescent luminaires with Instant-Start ballasts. Instant-start ballasts can be identified by the words “Instant Start” or “I.S.” marked on the ballast. This designation may be in the form of a statement pertaining to the ballast itself, or may be combined with the marking for the lamps with which the ballast is intended to be used, for example F40T12/IS. For more information, contact the LED luminaire retrofit kit manufacturer.
- ❖ The instructions also reference use in IC applications. As it is only being tested for IC applications, and that it does not have thermal protection, it may only reference type IC. The instructions reference removing the starter, but that cannot be done, as it would create an opening in the enclosure. The instructions need to be modified to indicate that the wires to the starter be cut/disconnected, but that the starter holder and starter remain to close of the opening.
- ❖ The instructions shall have a table specifying the sizes of luminaires that the lamps may be used in. It may not be a bad idea to just specify the minimum volume per lamp to allow single lamp usage or up to four lamp usage.
 1. The unit T8-150 covered by this report are intended to retrofit surface mount Listed fluorescent luminaires that use straight tubular lamps without a diffuser, the minimum dimension of luminaries and maximum number of lamps are tabulated in the installation instructions. These products are intended to be used in dry and damp locations.

LED tube intended to retrofit Max. Number tubes in original luminaire without diffuser	Luminaire Dimension with Max. No. of tubes Length x Width x Height (cm)	Distance between two lamps (cm)
Max. 2pcs for model T8-150	152.6 x 7.5 x 3.5	1.7

2. The units T8-60, T8-120 covered by this report are intended to retrofit surface mount, Type IC or non-IC recessed mount Listed fluorescent luminaires that use straight tubular lamps without a diffuser, the minimum dimension of luminaries and maximum number of lamps are tabulated in the installation instructions. These products are intended to be used in dry and damp locations.

LED tube intended to retrofit Max. Number tubes in original luminaire without diffuser	Luminaire Dimension with Max. No. of tubes Length x Width x Height (cm)	Distance between two lamps (cm)
Max. 3pcs for model T8-60	60 x 60 x 7.5	16
Max. 3pcs for model T8-120	120 x 60 x 7.5	16