

# 0201

## Thick Film Chip Resistor



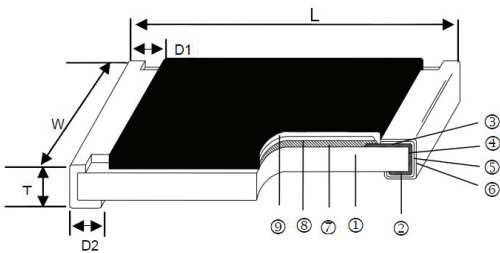
### Features:

- Small size and light weight
- Highly reliable multilayer electrode construction
- Compatible with all soldering process

### Applications:

- Telecommunication Equipments
- Radio and Tape Recorders, TV Tuners
- Digital Cameras, Watches, Pocket Calculators
- Automotive Industry
- Computers, Instruments
- Medical and Military Equipment

### Construction:



1	Alumina Substrate	4	Edge Electrode (NiCr)	7	Resistor Layer (RuO <sub>2</sub> /Ag)
2	Bottom Electrode (Ag)	5	Barrier Layer (Ni)	8	Primary Overcoat (Glass)
3	Top Electrode (Ag-Pd)	6	External Electrode (Sn)	9	Secondary Overcoat (Epoxy)

### Dimensions

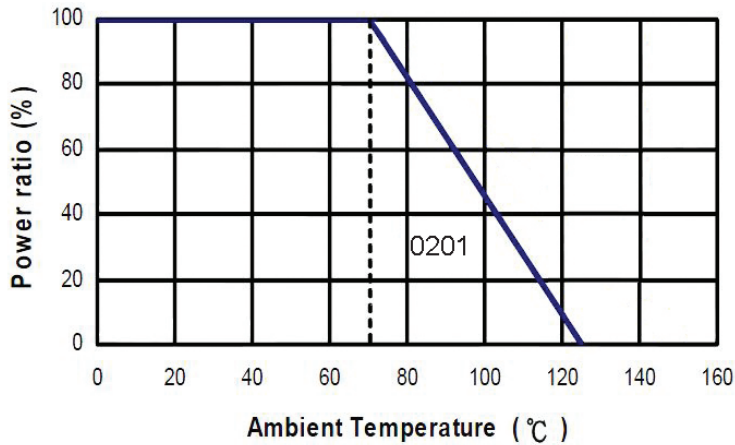
Unit: mm

Size (Inch)	L	W	T	D1	D2	Weight (g) (1,000pcs)
0201	0.60±0.03	0.30±0.03	0.23±0.03	0.15±0.05	0.15±0.05	0.150

# 0201 Thick Film Chip Resistor



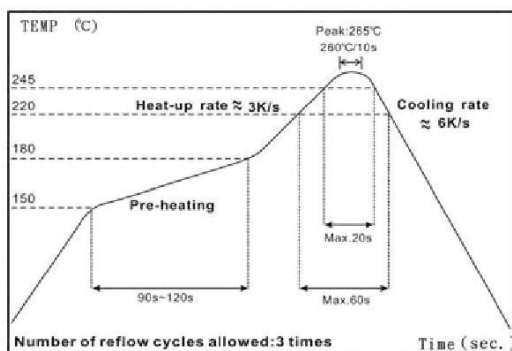
## Derating Curve



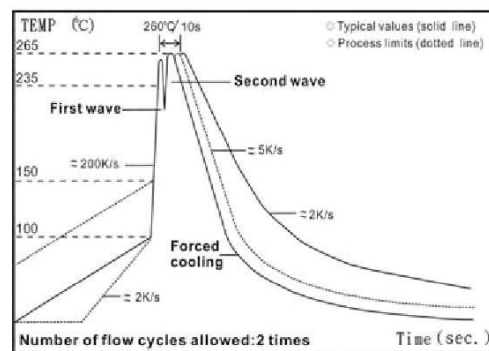
## Standard Electrical Specifications

Item Type	Power Rating at 70°C Jumper Rated Current	Operating Temp. Range	Max. Operating Voltage	Max. Overload Voltage	Resistance Range		TCR (PPM/°C)
					±1%	±5%	
0201	1/20W	-55 ~ +125°C	25V	50V	1Ω - 10MΩ		±200
Jumper	1A				0Ω (<50mΩ)		-

## Soldering Condition



IR Reflow Soldering



Wave Soldering (Flow Soldering)

- (1) Time of IR reflow soldering at maximum temperature point 260°C : 10s
- (2) Time of wave soldering at maximum temperature point 260°C : 10s
- (3) Time of soldering iron at maximum temperature point 410°C : 5s



# 0201

## Thick Film Chip Resistor



### Environmental Characteristics

Item	Requirement			Test Method
	±1% and Below	±5%	Jumper	
Temperature Coefficient of Resistance (T.C.R.)	As Spec.			JIS-C-5201-1 4.8 IEC-60115-1 4.8 -55°C~+125°C, 25°C is the reference temperature
Short Time Overload	±(1.0%+0.05Ω)	±(2.0%+0.05Ω)	<50mΩ	JIS-C-5201-1 4.13 IEC-60115-1 4.13 RCWV*2.5 or Max. overload voltage for 5 seconds, 2 seconds for high power series
Insulation Resistance	≥10G			JIS-C-5201-1 4.6 IEC-60115-1 4.6 Max. overload voltage for 1 minute
Endurance	±(1.0%+0.10Ω)	±(2.0%+0.10Ω)	<100mΩ	JIS-C-5201-1 4.25 IEC-60115-1 4.25.1 70±2°C, Max. working voltage for 1000 hrs with 1.5 hrs "ON" and 0.5 hrs "OFF"
Damp Heat with Load	±(1.0%+0.10Ω)	±(2.0%+0.10Ω)	<100mΩ	JIS-C-5201-1 4.24 40±2°C, 90~95% R.H. Max. working voltage for 1000 hrs with 1.5 hrs "ON" and 0.5 hrs "OFF"
Dry Heat	±(1.0%+0.05Ω)	±(1.5%+0.10Ω)	<50mΩ	JIS-C-5201-1 4.23 IEC-60115-1 2.23.2 at +125/+155°C for 1000 hrs
Bending Strength	±(1.0%+0.05Ω)	±(1.0%+0.05Ω)	<50mΩ	JIS-C-5201-1 4.33 IEC-60115-1 4.33 Bending once for 5 seconds 2010, 2512 sizes : 2mm Other sizes : 3mm
Solderability	95% min. coverage			JIS-C-5201-1 4.17 IEC-60115-1 4.17 245 ±5°C for 3 seconds
Resistance to Soldering Heat	±(0.5%+0.05Ω)	±(1.0%+0.05Ω)	<50mΩ	JIS-C-5201-1 4.18 IEC-60115-1 4.18 260 ±5°C for 10 seconds
Voltage Proof	No breakdown or flashover			JIS-C-5201-1 4.7 IEC-60115-1 4.7 1.42 times RCWV (RMS) for 1 minute
Leaching	Individual leaching area ≤ 5% Total leaching area ≤ 10%			JIS-C-5201-1 4.18 IEC-60068-2-58 8.2.1 260 ±5°C for 30 seconds
Rapid Change of Temperature	±(0.5%+0.05Ω)	±(1.0%+0.05Ω)	<50mΩ	JIS-C-5201-1 4.18 IEC-60115-1 4.18 -55°C to +125/+155°C, 5 cycles

**Storage Temperature: 25±3°C; Humidity < 80%RH**

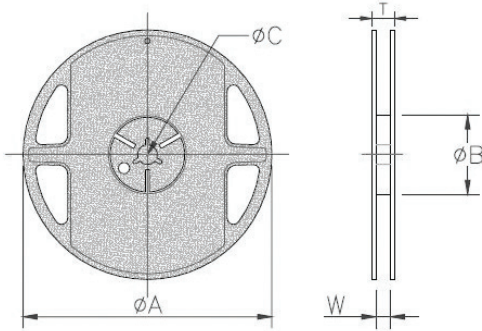
# 0201

## Thick Film Chip Resistor



### Packaging

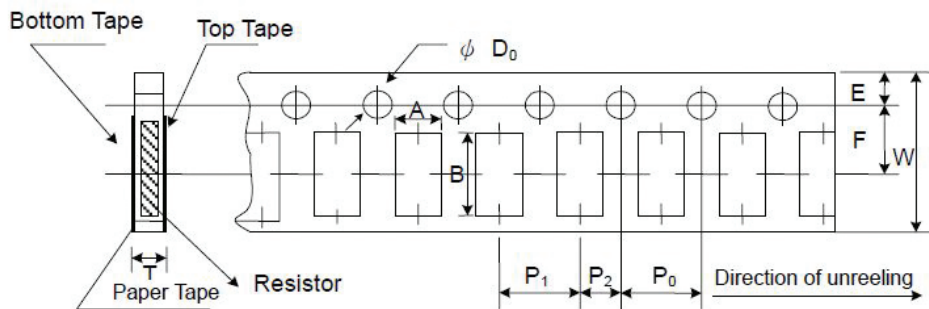
Reel Specifications & Packaging Quantity



Unit: mm

Type	Packaging Quantity	Tape Width	Reel Diameter	ΦA	ΦB	ΦC	W	T	
0201	Paper	15K to 20K	8mm	7 inch	178.5±1.5	60 <sup>+1/-0</sup>	13.0±0.2	9.0±0.5	12.5±0.5

Paper Tape Specifications



Unit: mm

Type	A	B	W	E	F	P <sub>0</sub>	P <sub>1</sub>	P <sub>2</sub>	ΦD <sub>0</sub>	T
0201	0.38±0.05	0.68±0.05	8 ± 0.2	1.75±0.1	3.5±0.05	4 ± 0.1	2±0.05	2±0.05	1.5+0.1, -0	0.42±0.2

### Part Number Table

Description	Part Number
Resistor, 0201, 10M0, 1%	MCRE000262
Resistor, 0201, 9M10, 1%	MCRE000261
Resistor, 0201, 8M20, 1%	MCRE000260
Resistor, 0201, 7M50, 1%	MCRE000259
Resistor, 0201, 6M80, 1%	MCRE000258
Resistor, 0201, 6M20, 1%	MCRE000257
Resistor, 0201, 5M60, 1%	MCRE000256

www.element14.com  
www.farnell.com  
www.newark.com



# 0201

## Thick Film Chip Resistor



Description	Part Number
Resistor, 0201, 5M10, 1%	MCRE000255
Resistor, 0201, 4M70, 1%	MCRE000254
Resistor, 0201, 4M30, 1%	MCRE000253
Resistor, 0201, 3M90, 1%	MCRE000252
Resistor, 0201, 3M60, 1%	MCRE000251
Resistor, 0201, 3M30, 1%	MCRE000250
Resistor, 0201, 3M00, 1%	MCRE000249
Resistor, 0201, 2M70, 1%	MCRE000248
Resistor, 0201, 2M40, 1%	MCRE000247
Resistor, 0201, 2M20, 1%	MCRE000246
Resistor, 0201, 2M00, 1%	MCRE000245
Resistor, 0201, 1M80, 1%	MCRE000244
Resistor, 0201, 1M60, 1%	MCRE000243
Resistor, 0201, 1M50, 1%	MCRE000242
Resistor, 0201, 1M30, 1%	MCRE000241
Resistor, 0201, 1M20, 1%	MCRE000240
Resistor, 0201, 1M10, 1%	MCRE000239
Resistor, 0201, 9R10, 1%	MCRE000238

Description	Part Number
Resistor, 0201, 8R20, 1%	MCRE000237
Resistor, 0201, 7R50, 1%	MCRE000236
Resistor, 0201, 6R20, 1%	MCRE000235
Resistor, 0201, 5R60, 1%	MCRE000234
Resistor, 0201, 5R10, 1%	MCRE000233
Resistor, 0201, 4R30, 1%	MCRE000232
Resistor, 0201, 3R90, 1%	MCRE000231
Resistor, 0201, 3R60, 1%	MCRE000230
Resistor, 0201, 3R0, 1%	MCRE000229
Resistor, 0201, 2R70, 1%	MCRE000228
Resistor, 0201, 2R40, 1%	MCRE000227
Resistor, 0201, 2R0, 1%	MCRE000226
Resistor, 0201, 1R80, 1%	MCRE000225
Resistor, 0201, 1R60, 1%	MCRE000224
Resistor, 0201, 1R30, 1%	MCRE000223
Resistor, 0201, 1R20, 1%	MCRE000222
Resistor, 0201, 1R10, 1%	MCRE000221
Resistor, 0201, 1R0, 1%	MCRE000220

**Important Notice** : This data sheet and its contents (the "Information") belong to the members of the Premier Farnell group of companies (the "Group") or are licensed to it. No licence is granted for the use of it other than for information purposes in connection with the products to which it relates. No licence of any intellectual property rights is granted. The Information is subject to change without notice and replaces all data sheets previously supplied. The Information supplied is believed to be accurate but the Group assumes no responsibility for its accuracy or completeness, any error in or omission from it or for any use made of it. Users of this data sheet should check for themselves the Information and the suitability of the products for their purpose and not make any assumptions based on information included or omitted. Liability for loss or damage resulting from any reliance on the Information or use of it (including liability resulting from negligence or where the Group was aware of the possibility of such loss or damage arising) is excluded. This will not operate to limit or restrict the Group's liability for death or personal injury resulting from its negligence. Multicomp is the registered trademark of the Group. © Premier Farnell plc 2012.

