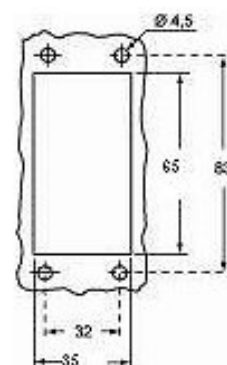
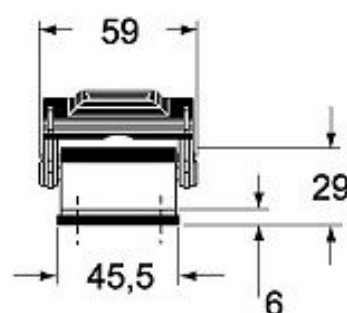
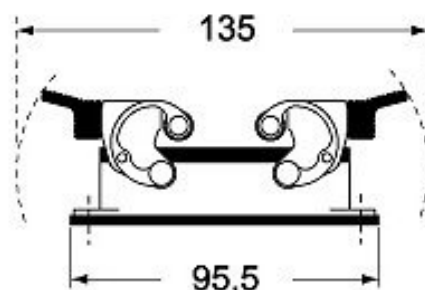


Product Sheet

Part Number:




CHI 10



Panel cut-out



www.ilme.com

Family	CH - CA and MH - MA enclosures
Version	metal version
Series	bulkhead mounting housings with 2 levers or 4 pegs
Product type	with 2 levers
Quality mark	 (type:4/4X/12),  
IP degree of protection	IP66 (EN 60529) and IP69K (DIN 40050 - 9) degree of protection.
Fixing centre distance	size "57.27"
Material	metal
Barcode EAN13	8015747017398

The information and the dimensions contained are not binding and may be changed without prior notice.
The drawing's dimensions are in mm.