

# 64 Pc. Grommet Kit

pro-POWER



## Part Number Table

Description	Part Number
Grommet Kit, 64 Pcs, Black	SPC14750



Blank Grommet

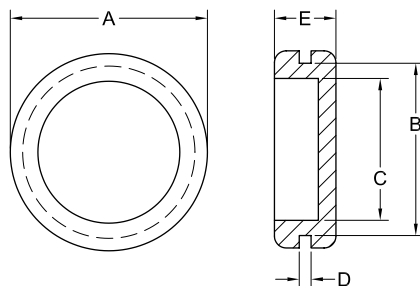


Open Grommet

## Grommet Kit Contents

Description	No. of Pcs	Material	Colour	Part Number	
Blank Grommet	5	Vinyl	Black	SPC4872	
	2			SPC4874	
Open Grommet	5	PVC (Polyvinylchloride)		SPC4876	
	5			SPC4877	
	3			SPC4878	
	5			SPC4883	
	5			SPC4884	
	5	Vinyl		SPC4885	
	5			SPC4886	
	5			SPC4888	
	3			SPC4889	
	15			SPC4891	
	Storage Box	1		PP (Polypropylene)	Transparent

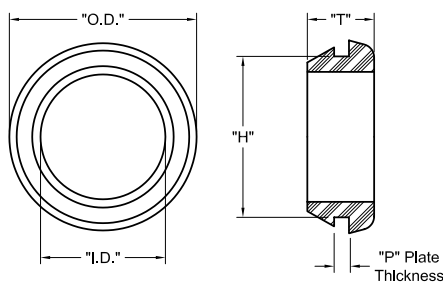
## Blank Diaphragm Grommets - Flexible Vinyl



Part Number	A	B	C	D	E
SPC4872	12.7 (0.5)	9.9(0.39)	6.4(0.25)	1.5(0.06)	6.6(0.26)
SPC4874	25.4(1)	22.1(0.87)	18.3(0.72)		7.9(0.31)

Dimensions : Millimeters (Inches)

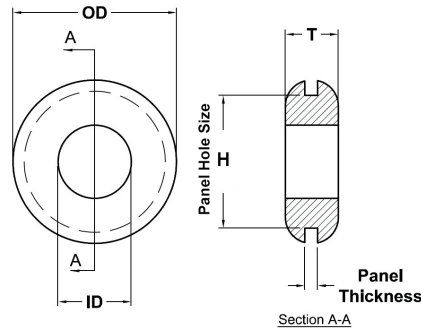
## Open Grommets - Soft PVC



Part Number	O.D.	I.D.	Panel Hole Size "H"	"T"	"P"
SPC4876	13.5(0.53)	6.1(0.24)	9.9(0.39)	8(0.32)	1.5(0.06)
SPC4877	17.5(0.69)	9.9(0.39)	14(0.55)		
SPC4878	21.6(0.85)	14(0.55)	18(0.71)		
SPC4883	17.5(0.69)	9.9(0.39)	14(0.55)	9.5(0.37)	3(0.12)

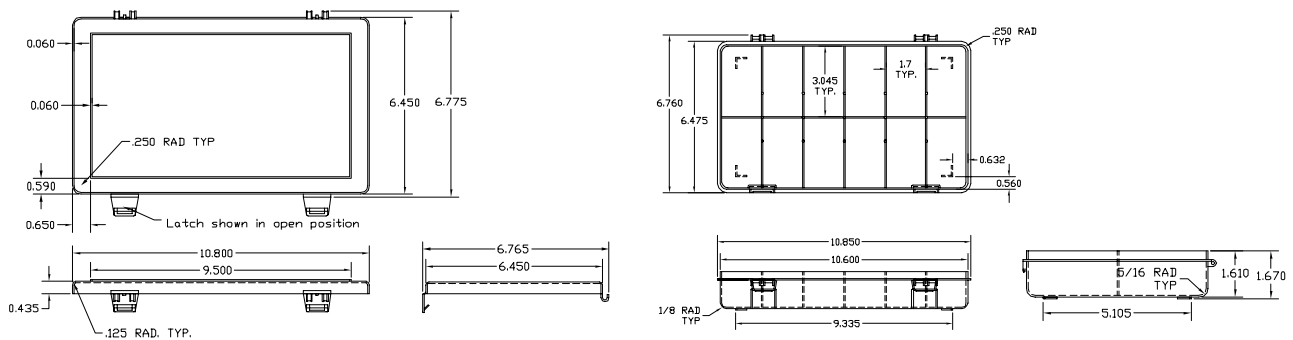
Dimensions : Millimeters (Inches)

## Open Grommets - Flexible Vinyl



Part Number	O.D.	I.D.	Panel Hole Size "H"	"T"	Panel Thickness
SPC4884	9.5(0.37)	4(0.15)	6.4(0.25)	4.8(0.25)	1.6(0.06)
SPC4885	11.1(0.44)	5.6(0.22)	7.9(0.31)	5.6(0.22)	
SPC4886	14.3(0.56)	6.4(0.25)	9.4(0.37)	7.1(0.28)	2.4(0.09)
SPC4888	17.1(0.67)	9.5(0.37)	12.4(0.49)	7.1(0.28)	1.6(0.06)
SPC4889	21.8(0.86)	15.9(0.62)	19.1(0.75)	5.6(0.22)	
SPC4891	30.2(1.19)	21.8(0.86)	25.4(1)	7.9(0.31)	

Dimensions : Millimeters (Inches)



## 12 Compartment Storage Box

Dimensions : Inches

**Important Notice :** This data sheet and its contents (the "Information") belong to the members of the Premier Farnell group of companies (the "Group") or are licensed to it. No licence is granted for the use of it other than for information purposes in connection with the products to which it relates. No licence of any intellectual property rights is granted. The Information is subject to change without notice and replaces all data sheets previously supplied. The Information supplied is believed to be accurate but the Group assumes no responsibility for its accuracy or completeness, any error in or omission from it or for any use made of it. Users of this data sheet should check for themselves the Information and the suitability of the products for their purpose and not make any assumptions based on information included or omitted. Liability for loss or damage resulting from any reliance on the Information or use of it (including liability resulting from negligence or where the Group was aware of the possibility of such loss or damage arising) is excluded. This will not operate to limit or restrict the Group's liability for death or personal injury resulting from its negligence. pro-SIGNAL is the registered trademark of the Group. © Premier Farnell plc 2012.