

Contactors

d 3-pole contactors for motor control, 9 to 95 A
Utilisation category AC-3
Control circuit : a.c.



Dimensions, mounting :
pages 1/44 to 1/48

References

1



LC1-D0910●●



LC1-D2510●●



LC1-D9511●●

Standard power ratings of 3-phase motors 50/60 Hz in category AC-3 ($\theta \leq 55^\circ\text{C}$)							Rated operational current in AC-3 up to 440V A	Instantaneous auxiliary contacts	Basic reference. Complete with code indicating control circuit voltage (2) Fixing, cabling (1)	Weight kg
220V kW	380V kW	415V kW	440V kW	500V kW	660V kW	690V kW				
2.2	4	4	4	5.5	5.5		9	– –	LC1-D0900●● (3)	0.320
								1 –	LC1-D0910●●	0.320
								– 1	LC1-D0901●●	0.320
3	5.5	5.5	5.5	7.5	7.5		12	– –	LC1-D1200●● (3)	0.320
								1 –	LC1-D1210●●	0.320
								– 1	LC1-D1201●●	0.320
4	7.5	9	9	10	10		18	– –	LC1-D1800●● (3)	0.320
								1 –	LC1-D1810●●	0.350
								– 1	LC1-D1801●●	0.350
5.5	11	11	11	15	15		25	– –	LC1-D2500●● (3)	0.320
								1 –	LC1-D2510●●	0.505
								– 1	LC1-D2501●●	0.505
7.5	15	15	15	18.5	18.5		32	– –	LC1-D3200●● (3)	0.320
								1 –	LC1-D3210●●	0.525
								– 1	LC1-D3201●●	0.525
11	18.5	22	22	22	30		40	1 1	LC1-D4011●●	1.150
15	22	25	30	30	33		50	1 1	LC1-D5011●●	1.150
18.5	30	37	37	37	37		65	1 1	LC1-D6511●●	1.150
22	37	45	45	55	45		80	1 1	LC1-D8011●●	1.500
25	45	45	45	55	45		95 (4)	1 1	LC1-D9511●●	1.500

Note : Add-on auxiliary contact blocks and modules : see pages 1/32 to 1/43.

(1) For LC1-D09 to D32 : clip-on mounting onto 35 mm rail AM1-DP.

For LC1-D40 to D95 : clip-on mounting onto 35 mm or 75 mm rail AM1-DL.

Power terminals : LC1-D09 to D95 protected against direct finger contact. Ready-to-tighten terminals.

(2) Standard control circuit voltages (for other voltages, please consult your Regional customer centre).

Volts ~	24	42	48	110	220/230	230	240	380/400	400	415	440	500	660
50 Hz	B5	D5	E5	F5	M5	P5	U5	Q5	V5	N5	R5	S5	Y5
60 Hz	B6	D6	E6	F6	M6	–	U6	Q6	–	–	R6	–	–
50/60 Hz	B7	D7	E7	F7	M7	P7	U7	Q7	V7	N7	R7	–	–

(3) 3-pole contactors without auxiliary contact (standard EN 50012).

(4) 95 A rated operational current in AC-3 up to 400 V.

Other versions

Contactors with non-protected power terminals enabling "power" and "control" connections to be made using ring type terminals. Please consult your Regional customer centre.

Contactors

d 3-pole contactors for motor control, 9 to 80 A
Utilisation category AC-3
Control circuit : d.c.



Dimensions, mounting :
pages 1/44 to 1/48

References



LP1-D0910●●



LP1-D3210●●

Standard power ratings of 3-phase motors 50/60 Hz in category AC-3 ($\theta \leq 55^\circ\text{C}$)						Rated operational current in AC-3 up to 440V A	Instantaneous auxiliary contacts 	Basic reference. Complete with code indicating control circuit voltage (2) Fixing, cabling (1)	Weight kg
220V kW	380V kW	415V kW	440V kW	500V kW	660V 690V kW				
2.2	4	4	4	5.5	5.5	9	1 -	LP1-D0910●●	0.580
							- 1	LP1-D0901●●	0.580
3	5.5	5.5	5.5	7.5	7.5	12	1 -	LP1-D1210●●	0.580
							- 1	LP1-D1201●●	0.580
4	7.5	9	9	10	10	18	1 -	LP1-D1810●●	0.600
							- 1	LP1-D1801●●	0.600
5.5	11	11	11	15	15	25	1 -	LP1-D2510●●	0.850
							- 1	LP1-D2501●●	0.850
7.5	15	15	15	18.5	18.5	32	1 -	LP1-D3210●●	0.880
							- 1	LP1-D3201●●	0.880
11	18.5	22	22	22	30	40	1 1	LP1-D4011●●	2.100
15	22	25	30	30	33	50	1 1	LP1-D5011●●	2.120
18.5	30	37	37	37	37	65	1 1	LP1-D6511●●	2.160
22	37	45	45	55	45	80	1 1	LP1-D8011●●	2.220

Note : Add-on auxiliary contact blocks and modules, see pages 1/32 to 1/43.

(1) For LP1-D09 to D25 : clip-on mounting on 35 mm rail AM1-DP.
For LP1-D40 to D80 : clip-on mounting on 75 mm rail AM1-DL.

Power terminals : LP1-D09 to D80 protected against direct finger contact. Ready-to-tighten terminals.

(2) Standard control circuit voltages (for other voltages, please consult your Regional customer centre).

Volts $\overline{\text{---}}$	12	24	36	48	60	72	110	125	220	250	440
U 0.8...1.1 Uc (3)	JD	BD	CD	ED	ND	SD	FD	GD	MD	UD	RD
U 0.7...1.25 Uc (4)	JW	BW	CW	EW	-	SW	FW	-	MW	-	-

(3) LP1-D40 to D80 : 0.85...1.1 Uc.

(4) LP1-D40 to D80 : 0.75...1.2 Uc.

Other versions

Contactors with non-protected power terminals enabling "power" and "control" connections to be made using ring type terminals.
Please consult your Regional customer centre.

Contactors

d 3 and 4-pole contactors for heating, lighting, etc., 25 to 125 A
 Utilisation category AC-1
 Control circuit : a.c.

Dimensions, mounting :
 pages 1/44 to 1/48

References

1



LC1-D0910●●



LC1-D12004●●



LC1-D65004●●

Non inductive loads Maximum operational current Utilisation category AC-1 ($\theta \leq 55^\circ\text{C}$)	Number of poles	Instantaneous auxiliary contacts	Basic reference. Complete with code indicating control circuit voltage (2) Fixing, cabling (1)	Weight
				kg
25	3	-	- - LC1-D0900●● 0.320	
			- - or LC1-D1200●● (3) 0.320	
			1 - LC1-D0910●● 0.320	
			1 - or LC1-D1210●● (3) 0.320	
			- 1 LC1-D0901●● 0.320	
			- 1 or LC1-D1201●● (3) 0.320	
4	-	- - LC1-D12004●● 0.320		
		2 2 LC1-D12008●● 0.320		
32	3	-	- - LC1-D1800●● 0.320	
			1 - LC1-D1810●● 0.350	
			- 1 LC1-D1801●● 0.350	
40	3	-	- - LC1-D2500●● 0.320	
			1 - LC1-D2510●● 0.505	
			- 1 LC1-D2501●● 0.505	
			4 - LC1-D25004●● 0.505	
2	2	-	- - LC1-D25008●● 0.505	
			50	3
1 - LC1-D3210●● 0.525				
- 1 LC1-D3201●● 0.525				
60	3	-	1 1 LC1-D4011●● 1.150	
			4 - LC1-D40004●● 1.150	
			2 2 LC1-D40008●● 1.150	
80	3	-	1 1 LC1-D5011●● 1.150	
			1 1 or LC1-D6511●● (3) 1.150	
			4 - LC1-D65004●● 1.150	
			2 2 LC1-D65008●● 1.150	
125	3	-	1 1 LC1-D8011●● 1.500	
			1 1 or LC1-D9511●● (3) 1.500	
			4 - LC1-D80004●● 1.530	
			2 2 LC1-D80008●● 1.530	

Note : Add-on auxiliary contact blocks and modules, see pages 1/32 to 1/43.

(1) For LC1-D09 to D32 : clip-on mounting on 35 mm rail AM1-DP.

For LC1-D40 to D95 : clip-on mounting on 35 mm or 75 mm rail AM1-DL.

Power terminals : LC1-D09 to D95 protected against direct finger contact. Ready-to-tighten terminals.

(2) Standard control circuit voltages (for other voltages, please consult your Regional customer centre).

Volts ~	24	42	48	110	220/230	230	240	380/400	400	415	440	500	660
50 Hz	B5	D5	E5	F5	M5	P5	U5	Q5	V5	N5	R5	S5	Y5
60 Hz	B6	D6	E6	F6	M6	-	U6	Q6	-	-	R6	-	-
50/60 Hz	B7	D7	E7	F7	M7	P7	U7	Q7	V7	N7	R7	-	-

(3) Selection according to number of operating cycles.

Contactors

d 3 and 4-pole contactors for heating, lighting, etc., 25 to 125 A
 Utilisation category AC-1
 Control circuit : d.c.

Dimensions, mounting :
 pages 1/44 to 1/48

References



LP1-D0910●●



LP1-D3210●●

Non inductive loads Maximum operational current Utilisation category AC-1 ($\theta \leq 55^\circ\text{C}$)	Number of poles		Instantaneous auxiliary contacts		Basic reference. Complete with code indicating control circuit voltage (2) Fixing, cabling (1)	Weight kg
	d	b	N/O	N/C		
25	3	-	1	-	LP1-D0910●●	0.580
			1	-	or LP1-D1210●● (5)	0.580
			-	1	LP1-D0901●●	0.580
			-	1	or LP1-D1201●● (5)	0.580
			-	-	LP1-D12004●●	0.580
			2	2	LP1-D12008●●	0.580
32	3	-	1	-	LP1-D1810●●	0.600
			-	1	LP1-D1801●●	0.600
40	3	-	1	-	LP1-D2510●●	0.850
			-	1	LP1-D2501●●	0.850
			4	-	LP1-D25004●●	0.850
50	2	2	-	-	LP1-D25008●●	0.850
			3	-	LP1-D3210●●	0.880
			-	1	LP1-D3201●●	0.880
60	3	-	1	1	LP1-D4011●●	2.100
			4	-	LP1-D40004●●	2.100
			2	2	LP1-D40008●●	2.100
80	3	-	1	1	LP1-D5011●●	2.120
			1	1	or LP1-D6511●● (5)	2.160
			4	-	LP1-D65004●●	2.180
125	2	2	-	-	LP1-D65008●●	2.180
			3	-	LP1-D8011●●	2.220
			4	-	LP1-D80004●●	2.250
			2	2	LP1-D80008●●	2.250

Note : Add-on auxiliary contact blocks and modules, see pages 1/32 to 1/43.

(1) For LP1-D12 to D32 : clip-on mounting on 35 mm rail AM1-DP.

For LP1-D40 to D80 : clip-on mounting on 75 mm rail AM1-DL.

Power terminals : LP1-D12 to D80 protected against direct finger contact. Ready-to-tighten terminals.

(2) Standard control circuit voltages (for other voltages, please consult your Regional customer centre).

Volts ---	12	24	36	48	60	72	110	125	220	250	440
U 0.8...1.1 Uc (3)	JD	BD	CD	ED	ND	SD	FD	GD	MD	UD	RD
U 0.7...1.25 Uc (4)	JW	BW	CW	EW	-	SW	FW	-	MW	-	-

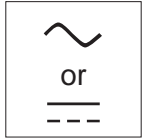
(3) For LP1-D40 to D80 : 0.85...1.1 Uc.

(4) For LP1-D40 to D80 : 0.75...1.2 Uc.

(5) Selection according to number of operating cycles.

Contactors

d 3-pole reversing contactors for motor control, assembled by Telemecanique
9 to 95 A (a.c. control circuit) and
9 to 32 A (d.c. control circuit). Utilisation category AC-3



Dimensions, mounting :
pages 1/44 to 1/48

References

3-pole reversing contactors horizontally mounted (1)



LC2-D1201●●



LP2-D0901●●

a.c. control circuit

Standard power ratings
of 3-phase motors
50/60 Hz in category AC-3

220V 380V 230V 400V 415V 440V 500V 690V						660V 690V	Rated operational current in AC-3 up to 440V A	Instantaneous auxiliary contacts per contactor		Basic reference. Complete with code indicating control circuit voltage (2) Fixing, cabling (3)	Weight kg
kW	kW	kW	kW	kW	kW	N/O		N/C			
2.2	4	4	4	5.5	5.5		9	–	1	LC2-D0901●●	0.700
3	5.5	5.5	5.5	7.5	7.5		12	–	1	LC2-D1201●●	0.700
4	7.5	9	9	10	10		18	–	1	LC2-D1801●●	0.750
5.5	11	11	11	15	15		25	–	1	LC2-D2501●●	1.100
7.5	15	15	15	18.5	18.5		32	–	1	LC2-D3201●●	1.200
11	18.5	22	22	22	30		40	1	1	LC2-D4011●●	2.400
15	22	25	30	30	33		50	1	1	LC2-D5011●●	2.400
18.5	30	37	37	37	37		65	1	1	LC2-D6511●●	2.400
22	37	45	45	55	45		80	1	1	LC2-D8011●●	3.200
25	45	45	45	55	45		95 (up to 400V)	1	1	LC2-D9511●●	3.200

d.c. control circuit

Standard power ratings
of 3-phase motors
50/60 Hz in category AC-3

220V 380V 230V 400V 415V 440V 500V 690V						660V 690V	Rated operational current in AC-3 up to 440V A	Instantaneous auxiliary contacts per contactor		Basic reference. Complete with code indicating control circuit voltage (4) Fixing, cabling (5)	Weight kg
kW	kW	kW	kW	kW	kW	N/O		N/C			
2.2	4	4	4	5.5	5.5		9	–	1	LP2-D0901●●	1.200
3	5.5	5.5	5.5	7.5	7.5		12	–	1	LP2-D1201●●	1.200
4	7.5	9	9	10	10		18	–	1	LP2-D1801●●	1.270
5.5	11	11	11	15	15		25	–	1	LP2-D2501●●	1.750
7.5	15	15	15	18.5	18.5		32	–	1	LP2-D3201●●	1.850

Accessories (to be ordered separately)

[Auxiliary contact blocks and add-on modules, see pages 1/32 to 1/43.](#)

(1) Fitted with pre-wired power circuit connections and mechanical interlock, without electrical interlocking.

(2) Standard control circuit voltages (for other voltages, please consult your Regional customer centre).

Volts ~	24	42	48	110	220/230	230	240	380/400	400	415	440	500	660
50 Hz	B5	D5	E5	F5	M5	P5	U5	Q5	V5	N5	R5	S5	Y5
60 Hz		B6	D6	E6	F6	M6		U6	Q6		R6		
50/60 Hz		B7	D7	E7	F7	M7	P7	U7	Q7	V7	N7	R7	

(3) For LC2-D09 to D32 : clip-on mounting on 35 mm rail or screw fixing.

For LC2-D40 to D95 : clip-on mounting on 35 mm or 75 mm rail or screw fixing.

Power terminals protected against direct finger contact and ready-to-tighten terminals.

(4) Standard control circuit voltages (for other voltages, please consult your Regional customer centre).

Uc (Volts) =	12	24	36	48	60	72	110	125	220	250	440	
U 0.8 to 1.1 Uc	standard coils	JD	BD	CD	ED	ND	SD	FD	GD	MD	UD	RD
U 0.7 to 1.25 Uc	wide range coils	JW	BW	CW	EW		SW	FW		MW		

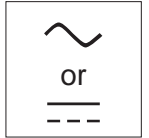
(5) Clip-on mounting on 35 mm rail or screw fixing.

Power terminals protected against direct finger contact. Ready-to-tighten terminals.

Other versions Reversing contactors fitted with mechanical interlock, with integral electrical interlocking. Please consult your Regional customer centre.

Contactors

d 4-pole changeover contactors for distribution circuits, assembled by Telemecanique
25 to 125 A (a.c. control circuit) and
25 and 40 A (d.c. control circuit). Utilisation category AC-1



Dimensions, mounting :
pages 1/44 to 1/48

References

4-pole changeover contactors, horizontally mounted (1)

a.c. control circuit

Non inductive loads Maximum rated operational current Utilisation category AC-1 ($\theta < 55\text{ }^{\circ}\text{C}$)	Instantaneous auxiliary contacts per contactor		Basic reference. Complete with code indicating control circuit voltage Fixing, cabling (3)	Weight
A	N/O	N/C		kg
25	–	–	LC2-D12004●●	0.700
40	–	–	LC2-D25004●●	1.100
60	–	–	LC2-D40004●●	2.400
80	–	–	LC2-D65004●●	3.200
125	–	–	LC2-D80004●●	3.200



LC2-D12004●●

4-pole changeover contactors, horizontally mounted (1)

d.c. control circuit

Non inductive loads Maximum rated operational current Utilisation category AC-1 ($\theta < 55\text{ }^{\circ}\text{C}$)	Instantaneous auxiliary contacts per contactor		Basic reference. Complete with code indicating control circuit voltage Fixing, cabling (5)	Weight
A	N/O	N/C		kg
25	–	–	LP2-D12004●●	1.200
40	–	–	LP2-D25004●●	1.750

Accessories (to be ordered separately)

Auxiliary contact blocks and add-on modules, see pages 1/32 to 1/43.

(1) Fitted with pre-wired power circuit connections and mechanical interlock, without electrical interlocking. Order separately 2 auxiliary contact blocks LA1-DN●1 to obtain electrical interlocking between the 2 contactors (see pages 1/33 to 1/37).

(2) Standard control circuit voltages (for other voltages, please consult your Regional customer centre).

Volts ~	24	42	48	110	220/230	230	240	380/400	400	415	440	500	660
50 Hz	B5	D5	E5	F5	M5	P5	U5	Q5	V5	N5	R5	S5	Y5
60 Hz	B6	D6	E6	F6	M6	–	U6	Q6	–	–	R6	–	–
50/60 Hz	B7	D7	E7	F7	M7	P7	U7	Q7	V7	N7	R7	–	–

(3) For LC2-D12 and D25 : clip-on mounting on 35 mm \sim rail or screw fixing.

For LC2-D40 to D80 : clip-on mounting on 35 mm or 75 mm \sim rail or screw fixing.

Power terminals protected against direct finger contact. Ready-to-tighten terminals.

(4) Standard control circuit voltages (for other voltages, please consult your Regional customer centre).

Uc (Volts) =	12	24	36	48	60	72	110	125	220	250	440	
U 0.8 to 1.1 Uc	standard coils	JD	BD	CD	ED	ND	SD	FD	GD	MD	UD	RD
U 0.7 to 1.25 Uc	wide range coils	JW	BW	CW	EW	–	SW	FW	–	MW	–	–

For other voltages, please consult your customer centre.

(5) Clip-on mounting on 35 mm \sim rail or screw fixing.

Power terminals protected against direct finger contact. Ready-to-tighten terminals.

Other versions Reversing contactors fitted with mechanical interlock, with integral electrical interlocking. Please consult your Regional customer centre.

Contactors

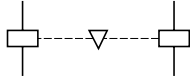
d 3 and 4-pole contactors
 Components for assembling reversing contactors and
 changeover contactor pairs (horizontally mounted), for customer assembly

Combinations

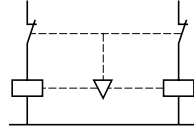
Contactors Mechanical interlocks Set of power connections

Assembled using 2 identical contactors horizontally mounted, type :

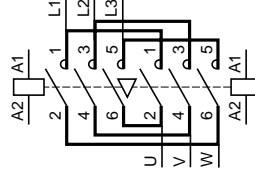
Without electrical interlocking



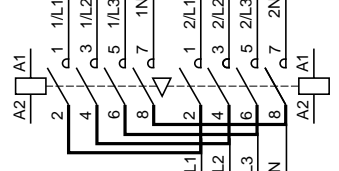
With integral electrical interlocking (2 N/C contacts)



3-pole reversing contactors



4-pole changeover contactor pairs



LC1-D09
 LC1-D12
 LC1-D18
 LC1-D25
 LC1-D32

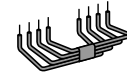
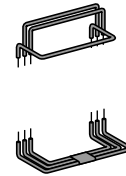
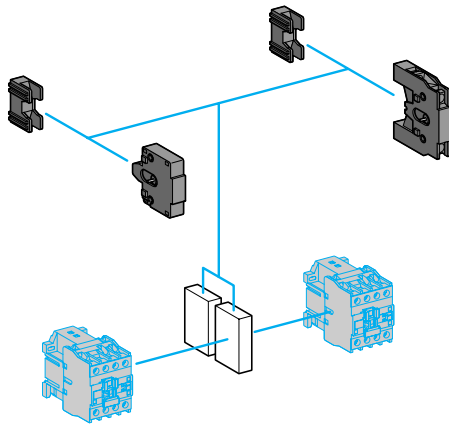
LA9-D09978

LA9-D0902

LA9-D1269
 LA9-D1869
 LA9-D2569
 LA9-D3269

LA9-D1270
 LA9-D2570

LP1-D09
 LP1-D12
 LP1-D18
 LP1-D25
 LP1-D32



LC1-D40
 LC1-D50
 LC1-D65

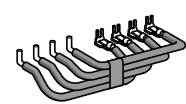
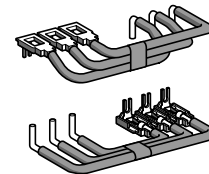
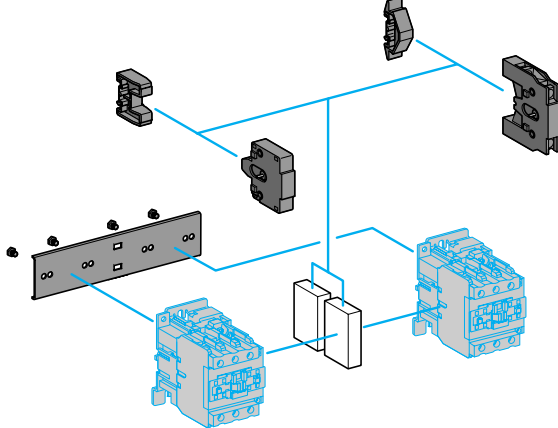
LA9-D50978

LA9-D4002

LA9-D6569

LA9-D6570

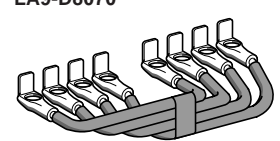
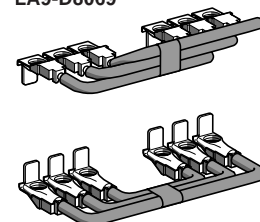
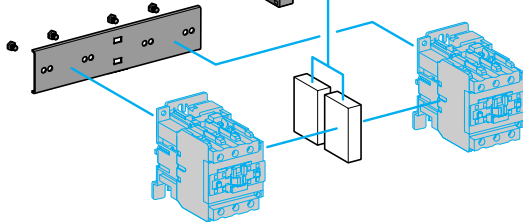
LP1-D40
 LP1-D50
 LP1-D65



LC1-D80
 LC1-D95

LA9-D8069

LA9-D8070



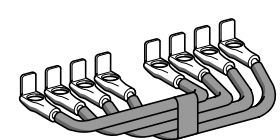
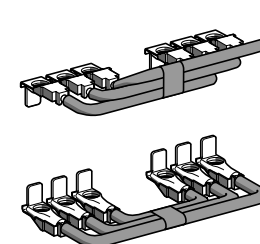
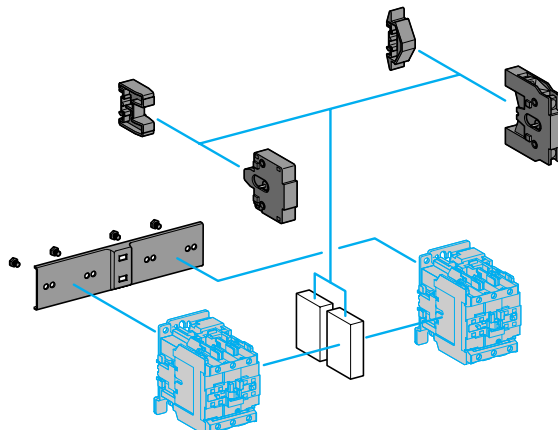
LP1-D80

LA9-D80978

LA9-D8002

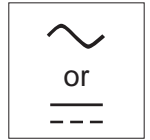
LA9-D8069

LA9-D8070



Contactors

d 3 and 4-pole contactors
 Components for assembling reversing contactors and
 changeover contactor pairs (horizontally mounted),
 for customer assembly
 References



Illustrations :
 page 1/24

Component parts (including mechanical interlock with integral electrical interlocking)

With 2 identical contactors (1)	Set of power connections Reference	Weight kg	Mechanical interlock Kit reference	Weight kg
For assembly of 3-pole reversing contactors for motor control				
LC1/LP1-D09●●●●● LC1/LP1-D12●●●●●	LA9-D1269	0.015	LA9-D0902	0.060
LC1/LP1-D18●●●●●	LA9-D1869	0.030	LA9-D0902	0.060
LC1/LP1-D25●●●●●	LA9-D2569	0.030	LA9-D0902	0.060
LC1/LP1-D32●●●●●	LA9-D3269	0.040	LA9-D0902	0.060
LC1/LP1-D4011●● LC1/LP1-D5011●● LC1/LP1-D6511●●	LA9-D6569	0.290	LA9-D4002	0.170
LC1-D8011●●	LA9-D8069	0.490	LA9-D4002	0.170
LP1-D8011●●	LA9-D8069	0.490	LA9-D8002	0.170
LC1-D9511●●	LA9-D8069	0.490	LA9-D4002	0.170
For assembly of 4-pole changeover contactor pairs for distribution (3-phase + neutral distribution system)				
LC1/LP1-D12004●●	LA9-D1270	0.010	LA9-D0902	0.060
LC1/LP1-D25004●●	LA9-D2570	0.020	LA9-D0902	0.060
LC1/LP1-D40004●● LC1/LP1-D65004●●	LA9-D6570	0.150	LA9-D4002	0.170
LC1-D80004●●	LA9-D8070	0.280	LA9-D4002	0.170
LP1-D80004●●	LA9-D8070	0.280	LA9-D8002	0.170

Component parts (including mechanical interlock, without electrical interlocking)

For assembly of 3-pole reversing contactors for motor control				
LC1/LP1-D0901●● LC1/LP1-D1201●●	LA9-D1269	0.015	LA9-D09978	0.030
LC1/LP1-D1801●●	LA9-D1869	0.030	LA9-D09978	0.030
LC1/LP1-D2501●●	LA9-D2569	0.030	LA9-D09978	0.030
LC1/LP1-D3201●●	LA9-D3269	0.040	LA9-D09978	0.030
LC1/LP1-D4011●● LC1/LP1-D5011●● LC1/LP1-D6511●●	LA9-D6569	0.290	LA9-D50978	0.155
LC1-D8011●●	LA9-D8069	0.490	LA9-D50978	0.155
LP1-D8011●●	LA9-D8069	0.490	LA9-D80978	0.180
LC1-D9511●●	LA9-D8069	0.490	LA9-D50978	0.155
For assembly of 4-pole changeover contactor pairs for distribution (3-phase + neutral distribution system) (2)				
LC1/LP1-D12004●●	LA9-D1270	0.010	LA9-D09978	0.030
LC1/LP1-D25004●●	LA9-D2570	0.020	LA9-D09978	0.030
LC1/LP1-D40004●● LC1/LP1-D65004●●	LA9-D6570	0.150	LA9-D50978	0.155
LC1-D80004●●	LA9-D8070	0.280	LA9-D50978	0.155
LP1-D80004●●	LA9-D8070	0.280	LA9-D80978	0.180

(1) To order the 2 contactors : see pages 1/18 to 1/21.

(2) Order 2 contact blocks LA1-DN●1 to obtain electrical interlocking. See pages 1/33 to 1/37.

Thermal overload relays

d 3-pole thermal overload relays (class 10 A)
adjustable from 0.1 to 93 A, for motor protection

References

Thermal overload relays to be used with fuses

Thermal overload relays
- compensated with manual or automatic reset,
- relay trip indicator,
- for a.c. or d.c.

Relay setting range	Fuses to be used with selected relay Type		For direct mounting beneath contactor	Reference	Weight
A	A	gG (BS88) A	LC1, LP1		kg

Class 10 A (1)

0.10...0.16	0.25	2	D09...D32	LR2-D1301	0.165
0.16...0.25	0.5	2	D09...D32	LR2-D1302	0.165
0.25...0.40	1	2	D09...D32	LR2-D1303	0.165
0.40...0.63	1	4	D09...D32	LR2-D1304	0.165
0.63...1	2	4	D09...D32	LR2-D1305	0.165
1...1.6	2	6	D09...D32	LR2-D1306	0.165
1.6...2.5	4	10	D09...D32	LR2-D1307	0.165
2.5...4	6	16	D09...D32	LR2-D1308	0.165
4...6	8	16	D09...D32	LR2-D1310	0.165
5.5...8	12	20	D09...D32	LR2-D1312	0.165
7...10	12	20	D09...D32	LR2-D1314	0.165
9...13	16	25	D12...D32	LR2-D1316	0.165
12...18	20	32	D18...D32	LR2-D1321	0.165
17...25	25	50	D25 and D32	LR2-D1322	0.165
23...32	40	63	D25 and D32	LR2-D2353	0.320
30...40	40	80	D32	LR2-D2355	0.320
17...25	25	50	D40...D95	LR2-D3322	0.510
23...32	40	63	D40...D95	LR2-D3353	0.510
30...40	40	80	D40...D95	LR2-D3355	0.510
37...50	63	100	D50...D95	LR2-D3357	0.510
48...65	63	100	D50...D95	LR2-D3359	0.510
55...70	80	125	D65...D95	LR2-D3361	0.510
63...80	80	125	D80 and D95	LR2-D3363	0.510
80...93	100	160	D95	LR2-D3365	0.510



LR2-D1301



LR2-D2353



LR2-D3365

3-pole thermal overload relays for use with unbalanced loads

Class 10 A : Change the prefix in the references above from **LR2** to **LR3**. Example : **LR3-D1301**.

(1) Standard IEC 947-4 specifies a tripping time for 7.2 times the setting current I_R :

class 10 A : between 2 and 10 seconds.

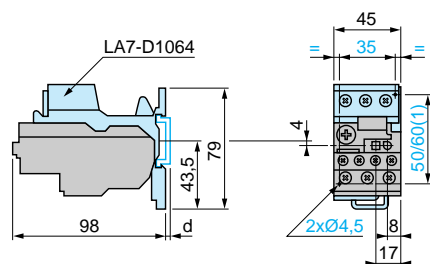
Other versions

Thermal overload relays

- for distribution circuits,
 - with flat terminals for ring type connectors (except LR2-D3365).
- Please consult your Regional customer centre.

LR2, LR3-D1

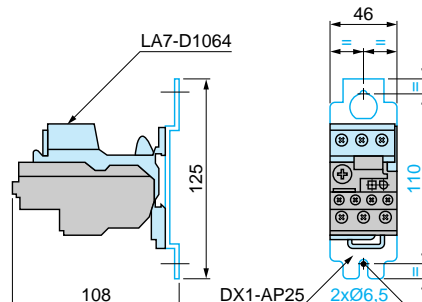
Independent mounting on 50 mm centres
or on rail AM1-DP200 or DE200



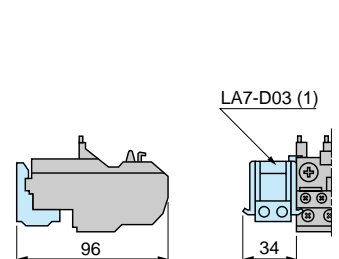
	AM1-DP200	AM1-DE200
d	2	9.5

(1) + 5 mm for LR2-D1501

Independent mounting on 110 mm centres



Remote trip or electrical reset



(1) Can be mounted on RH or LH side of relays LR2, LR3-D1

Thermal overload relays

d 3-pole thermal overload relays (class 20)
adjustable from 0.1 to 93 A, for motor protection

References

Thermal overload relays to be used with fuses



LR2-D15●●



LR2-D25●●



LR2-D35●●

Thermal overload relays
- compensated with manual or automatic reset,
- relay trip indicator,
- for a.c. or d.c.

Relay setting range	Fuses to be used with selected relay Type	For direct mounting beneath contactor	Reference	Weight
A	aM gG (BS88)	LC1, LP1		kg

Class 20 (1)

2.5...4	6	16	D09...D32	LR2-D1508	0.190
4...6	8	16	D09...D32	LR2-D1510	0.190
5.5...8	12	20	D09...D32	LR2-D1512	0.190
7...10	16	25	D09...D32	LR2-D1514	0.190
9...13	16	25	D12...D32	LR2-D1516	0.190
12...18	25	40	D18...D32	LR2-D1521	0.190
17...25	32	50	D25 and D32	LR2-D1522	0.190
23...32	40	63	D25 and D32	LR2-D2553	0.345
17...25	32	50	D40...D95	LR2-D3522	0.535
23...32	40	63	D40...D95	LR2-D3553	0.535
30...40	50	80	D40...D95	LR2-D3555	0.535
37...50	63	100	D50...D95	LR2-D3557	0.535
48...65	80	100	D50...D95	LR2-D3559	0.535
55...70	100	125	D65...D95	LR2-D3561	0.535
63...80	100	125	D80 and D95	LR2-D3563	0.535

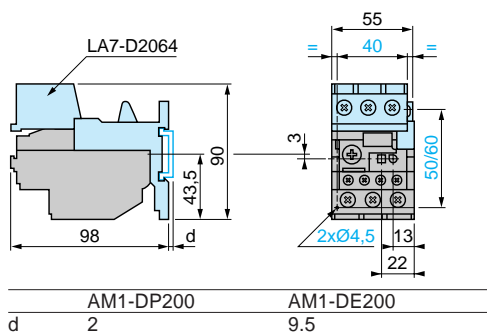
(1) Standard IEC 947-4 specifies a tripping time for 7.2 times the setting current I_r :
class 20 : between 6 and 20 seconds.

Other versions

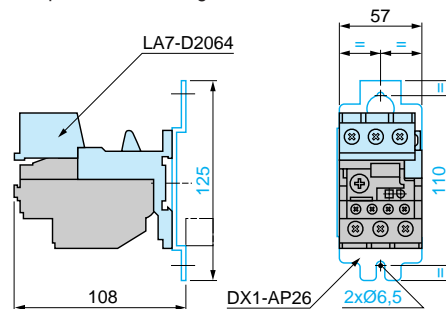
Thermal overload relays
- for distribution circuits,
- with flat terminals for ring type connectors.
Please consult your Regional customer centre.

LR2, LR3-D2

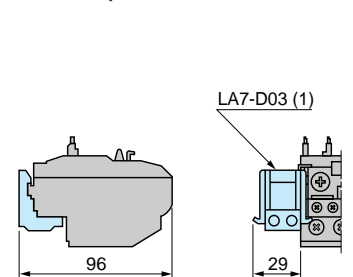
Independent mounting on 50 mm centres
or on rail AM1-DP200 or DE200



Independent mounting on 110 mm centres



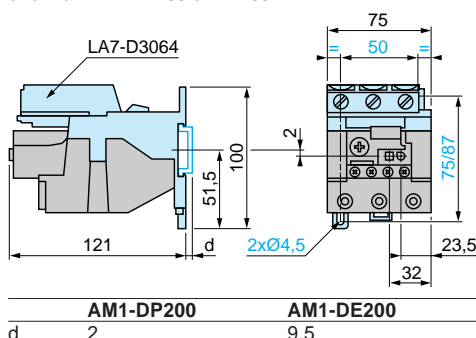
Remote trip or electrical reset device



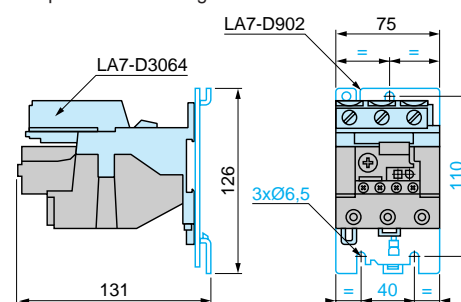
(1) Can be mounted on RH or LH side of relays LR2, LR3-D2

LR2, LR3-D3

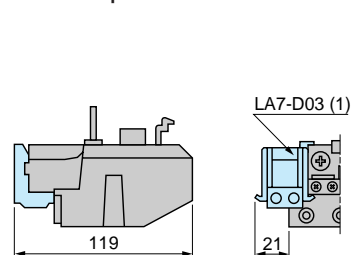
Independent mounting on 50 mm centres
or on rail AM1-DP200 or DE200



Independent mounting on 110 mm centres

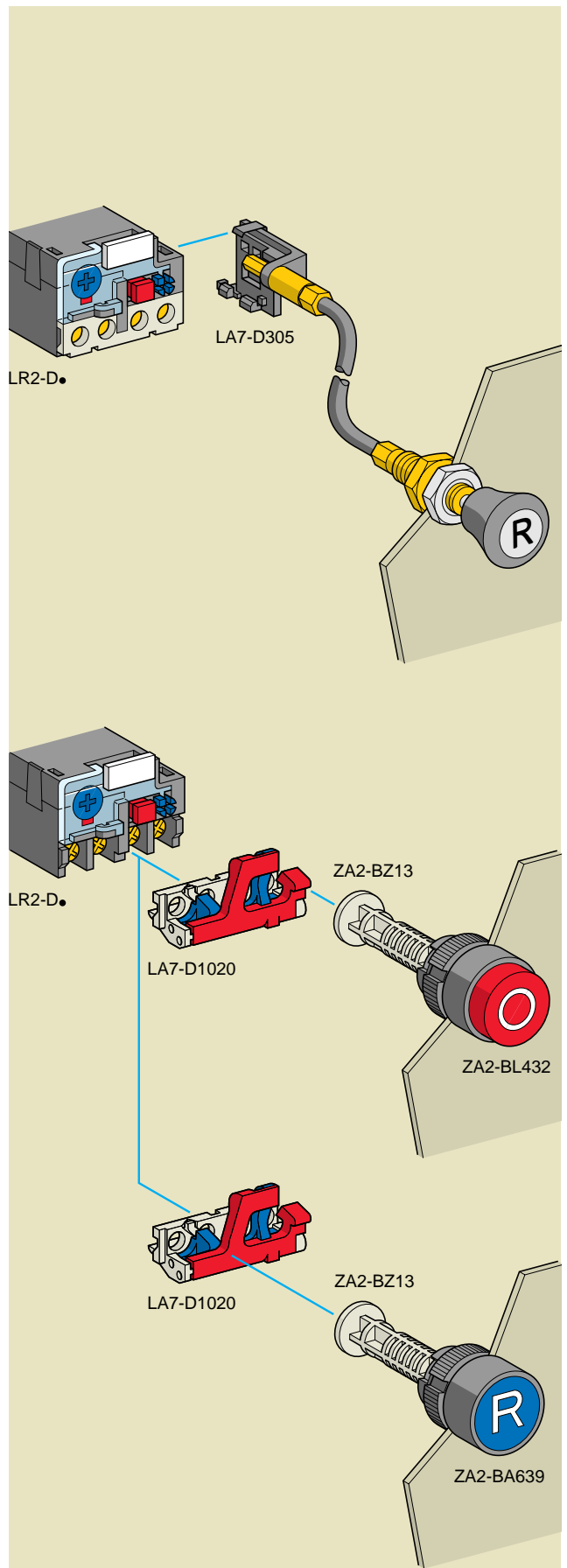
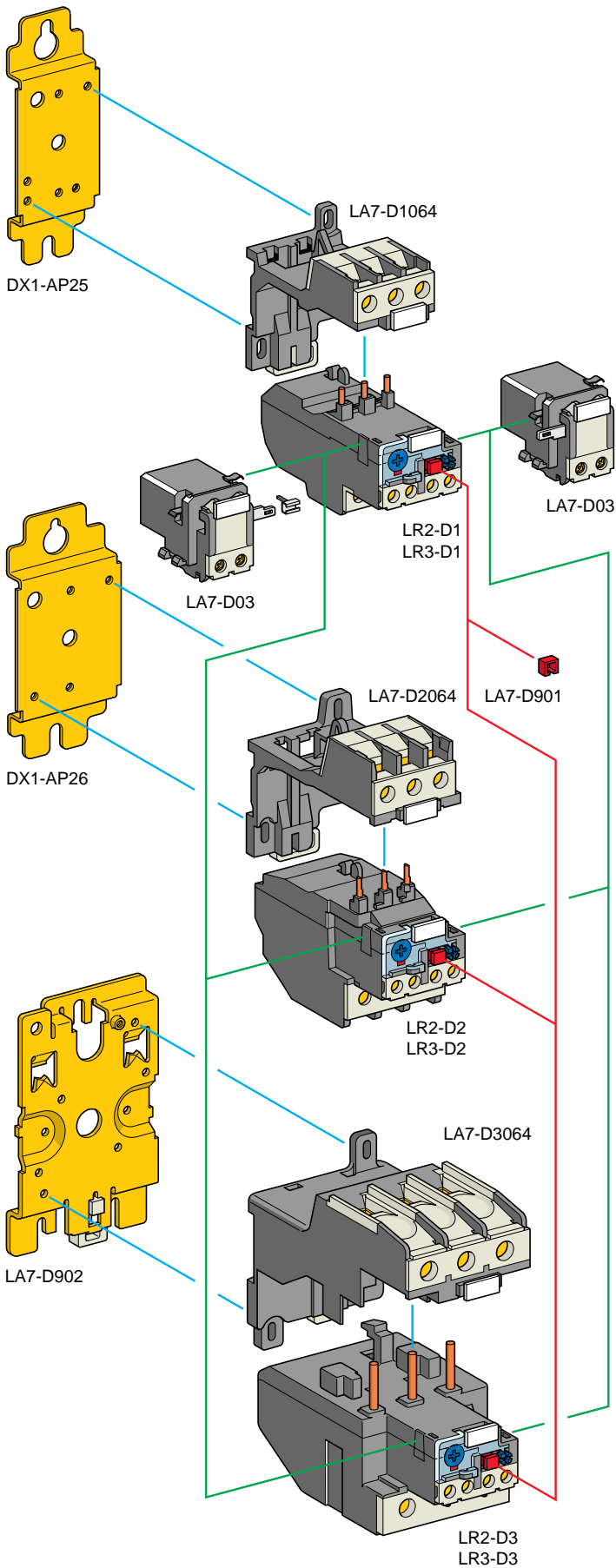


Remote trip or electrical reset device



(1) Can be mounted on RH or LH side of relays LR2-D, LR3-D3

1



Thermal overload relays

d 3-pole thermal overload relays
adjustable from 0.1 to 93 A

References

Illustrations :
page 1/28

Accessories (to be ordered separately)

Description	For use on overload relays	Sold in lots of	Unit reference	Weight kg
Terminal blocks (1) for clip-on mounting on 35 mm rail (AM1-DP200) or screw fixing. See pages 1/26 and 1/27 for fixing centres	LR2-D1	1	LA7-D1064	0.100
	LR3-D1			
	LR2-D2	1	LA7-D2064	0.120
Power terminals adaptor for mounting an LR●-D13 overload relay beneath an LC1-D40, D50 or D65 contactor	LR3-D2			
	LR2-D3	1	LA7-D3064 (2)	0.205
Mounting plates (3) for screw fixing on 110 mm centres	LR3-D3			
	LR2-D1	10	DX1-AP25	0.065
Marker holder snap-in	LR3-D1			
	LR2-D2	10	DX1-AP26	0.082
	LR3-D2			
Bag of 400 labels (blank, self-adhesive) 7 x 16 mm	LR2-D3	1	LA7-D902	0.130
	LR3-D3			
Locking device for "Stop" button	LR2-D	100	LA7-D903	0.001
	LR3-D			
Remote tripping and electrical reset device (4)	LR2-D	1	LA9-D91	0.001
	LR3-D			
Remote tripping and electrical reset device (4)	LR2-D	10	LA7-D901	0.005
	LR3-D			
Remote tripping and electrical reset device (4)	LR2-D	1	LA7-D03● (5)	0.090
	LR3-D			

Remote control

"Reset" function

By flexible cable (length = 0.5 m)	LR2-D	1	LA7-D305	0.075
	LR3-D			

" Stop" and/or " Reset" function

For fitting, remove the terminal protection shrouds and order the following 3 products :

Adaptor for door mounted operator	LR2-D	1	LA7-D1020	0.005
	LR3-D			
Rod (snap-off end to obtain required length between 17 and 120 mm)	LR2-D	10	ZA2-BZ13	0.100
	LR3-D			
Operating head for spring return pushbutton	LR2-D	1	ZA2-B●●●● (6)	0.012
	LR3-D			

(1) Terminal blocks are supplied with terminals protected against direct finger contact. Ready-to-tighten screws.

(2) With terminals for ring type connectors, the reference becomes LA7-D30646.

(3) Remember to order the terminal block corresponding to the overload relay size.

(4) The time for which the coil of remote tripping and electrical resetting device **LA7-D03** can remain energised depends on its rest time : 1 s pulse duration with 9 s rest time ; 5 s pulse duration with 30 s rest time ; 10 s pulse duration with 90 s rest time ; maximum pulse duration of 20 s with a rest time of 300 s. Minimum impulse time : 200 ms.

(5) Reference to be completed by adding the coil voltage code.

Standard control circuit voltages (for other voltages, please consult your Regional customer centre).

Volts ~	12	24	48	96	110	220/230	380/400	415/440
50/60 Hz	-	B	E	-	F	M	Q	N

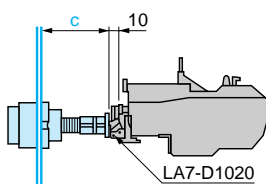
Consumption, inrush and sealed : < 100 VA

Volts =	J	B	E	DD	F	M	-	-
---------	---	---	---	----	---	---	---	---

Consumption, inrush and sealed : < 100 W.

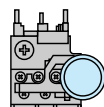
(6) Reference to be completed, please refer to chapter 5.

LA7-D1020
Adaptor for door mounted operator

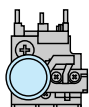


c : adjustable from 17 to 120 mm

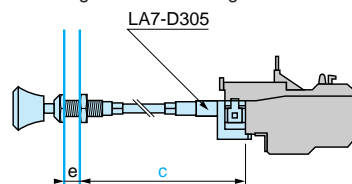
Stop



Reset

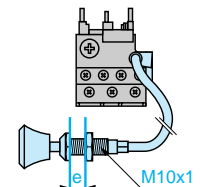


LA7-D305
"Reset" by flexible cable
Mounting with cable straight



c : up to 550 mm
e : up to 20 mm

Mounting with cable bent



e : up to 20 mm

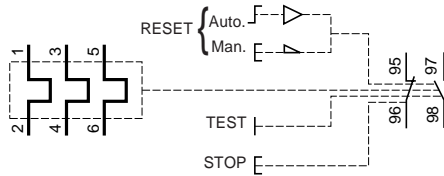
Thermal overload relays

d 3-pole thermal overload relays
adjustable from 0.1 to 93 A

Scheme, setting-up

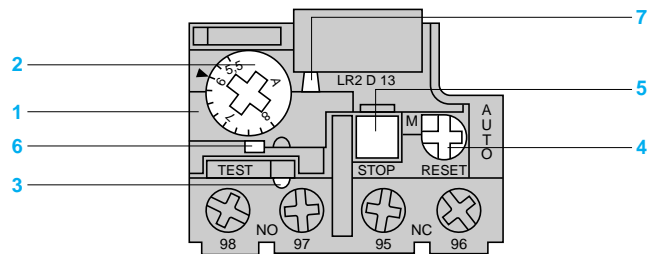
References :
pages 1/26 to 1/29

Scheme
LR2-D
LR3-D



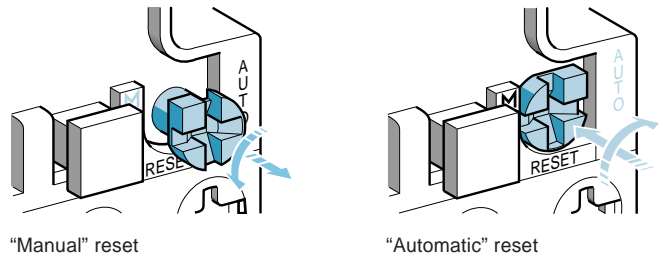
Setting-up the special functions of LR2-D and LR3-D thermal overload relays

Setting the relay



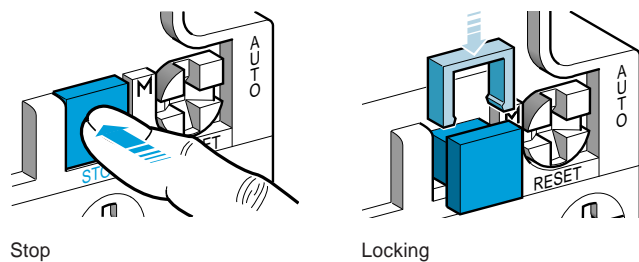
- Lift the transparent cover **1** to gain access to the settings and controls.
- Adjustment is achieved by turning dial **2** which is graduated directly in Amperes.
- The setting can be locked by sealing **3** of the cover.

"Manual-Automatic" selection **4**



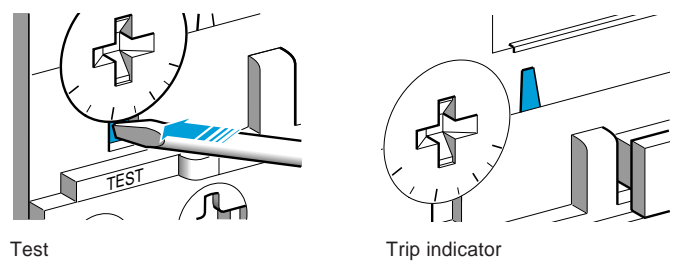
- After having lifted the transparent cover, the type of reset operation can be selected by turning the blue "RESET" selector **4** :
 - turn to the left for manual reset,
 - push and turn to the right for automatic reset.
- The selector is then held in the automatic position and is released by turning the selector to the left (return to manual operation).
- With the cover folded down, the selector is locked.
- Manual resetting of the relay is achieved by pressing the blue "RESET" button.

"Stop" function **5**



- The "Stop" function is obtained by pressing the red "STOP" button **5**.
- Pressing the "STOP" button :
 - actuates the N/C contact,
 - does not affect the N/O contact.
- The "STOP" button can be locked by fitting a "U" clip (ref. LA7-D901).
With the cover folded down, the device is locked.

"Test" function **6**



- The "Test" function is obtained by pressing the red "TEST" button **6** with a screwdriver.
- Operation of the "TEST" button simulates tripping of the relay and :
 - actuates both N/O and N/C contacts,
 - actuates the trip indicator **7**.

Thermal overload relays

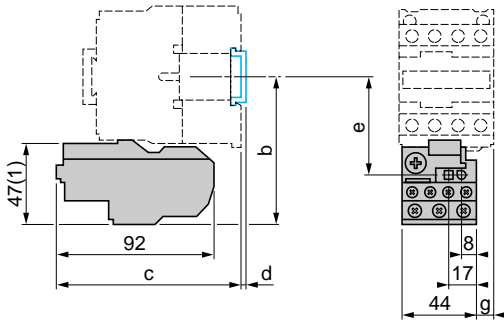
d 3-pole thermal overload relays
adjustable from 0.1 to 93 A

Dimensions

References :
pages 1/26 and 1/27

LR2, LR3-D1

Direct mounting beneath contactors
LC1-D09 to D32, LP1-D09 to D32 and LP4-D12

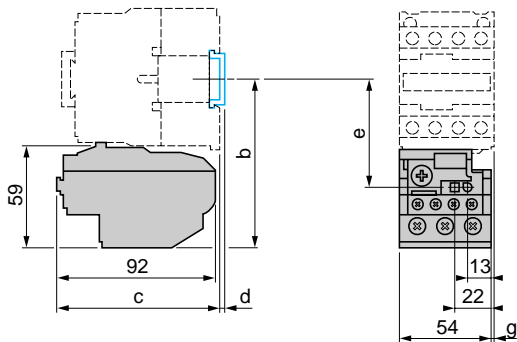


	AM1-DP200	AM1-DE200		
d	2	9.5		
			b (1)	c
			e	g
LC1-D09, D12, D18	81	98	50	0
LC1-D25	86	108	55	10.7
LC1-D32	86	109	55	8.1
LP1-D09, D12, D18	81	133	50	0
LP1-D25	86	152	55	10.7
LP1-D32	86	153	55	8.1
LP4-D12	81	98	50	0

(1) + 5 mm for LR2-D15●●

LR2, LR3-D2

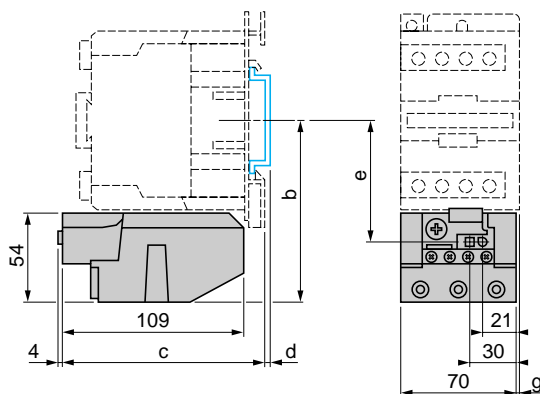
Direct mounting beneath contactors
LC1-D25 and D32, LP1-D25 and D32



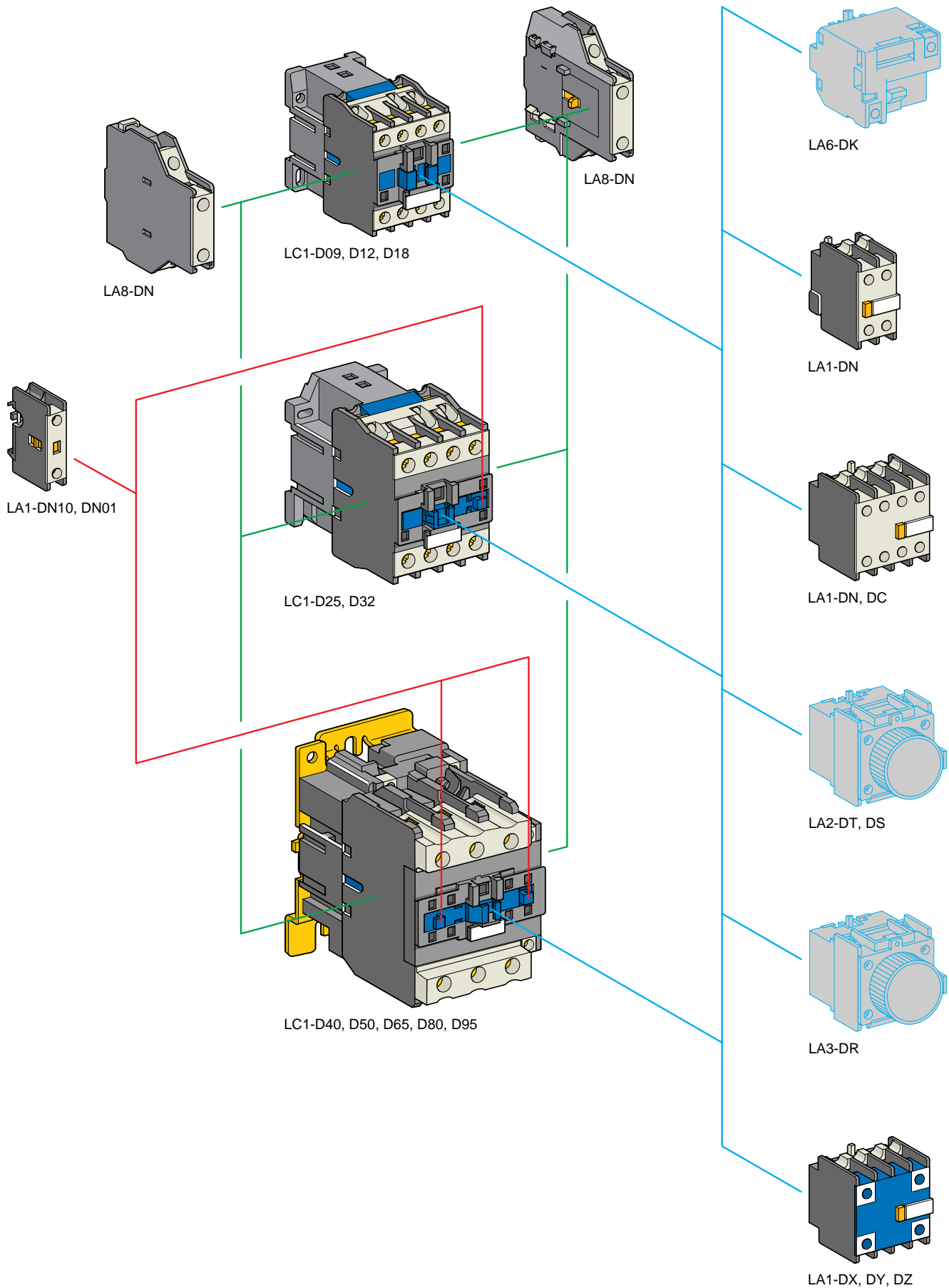
	AM1-DP200	AM1-DE200		
d	2	9.5		
			b	c
			e	g
LC1-D25	97.5	98	60	1.5
LC1-D32	97.5	98	60	0.5
LP1-D25	97.5	155	60	1.5
LP1-D32	97.5	155	60	0.5

LR2, LR3-D3

Direct mounting beneath contactors
LC1-D40 to D95 and LP1-D40 to D80



	AM1-DL201	AM1-DL200		
d	7	17		
			b	c
			e	g (3P) g (4P)
LC1-D40	111	119	72.4	4.5 13
LC1-D50	111	119	72.4	4.5 -
LC1-D65	111	119	72.4	4.5 13
LC1-D80	115.5	124	76.9	9.5 22
LC1-D95	115.5	124	76.9	9.5 -
LP1-D40	111	176	72.4	4.5 13
LP1-D50	111	176	72.4	4.5 -
LP1-D65	111	176	72.4	4.5 13
LP1-D80	115.5	179.4	76.9	9.5 22



Contactors





d 3 and 4-pole contactors, reversing and changeover contactors
 Auxiliary contact blocks and accessories
 Control circuit : a.c.

Illustrations :
 page 1/32

References

Instantaneous auxiliary contact blocks (1)

For use in normal operating environments

Number of contacts	Max. number of blocks per contactor Clip-on mounting		Composition				Reference	Weight kg
	Front	Side						
1	1 (D25 and D32) or 2 (D40...D95)	-	-	-	1	-	LA1-DN10	0.020
			-	-	-	1	LA1-DN01	0.020
2	1 (D09...D95)	-	-	-	1	1	LA1-DN11	0.030
			-	-	2	-	LA1-DN20	0.030
			-	-	-	2	LA1-DN02	0.030
			-	2 (D09...D95)	-	-	1	1
4	1 (D09...D95)	-	-	-	2	2	LA1-DN22	0.050
			-	-	1	3	LA1-DN13	0.050
			-	-	4	-	LA1-DN40	0.050
			-	-	-	4	LA1-DN04	0.050
			-	-	3	1	LA1-DN31	0.050
			-	-	2	2 (2)	LA1-DC22	0.050

With terminal referencing conforming to standard EN 50012

2	1 (D0910...D3210)	-	-	-	1	1	LA1-DN11M	0.030
	1 (D0900...D3200)	-	-	-	1	1	LA1-DN11P	0.030
	1 (D40...D95)	-	-	-	1	1	LA1-DN11G	0.030
4	1 (D0910...D3210)	-	-	-	2	2	LA1-DN22M	0.050
	1 (D0900...D3200)	-	-	-	2	2	LA1-DN22P	0.050
	1 (D40...D95)	-	-	-	2	2	LA1-DN22G	0.050

Instantaneous auxiliary contact blocks with dust and damp protected contacts (1)

For use in harsh industrial environments

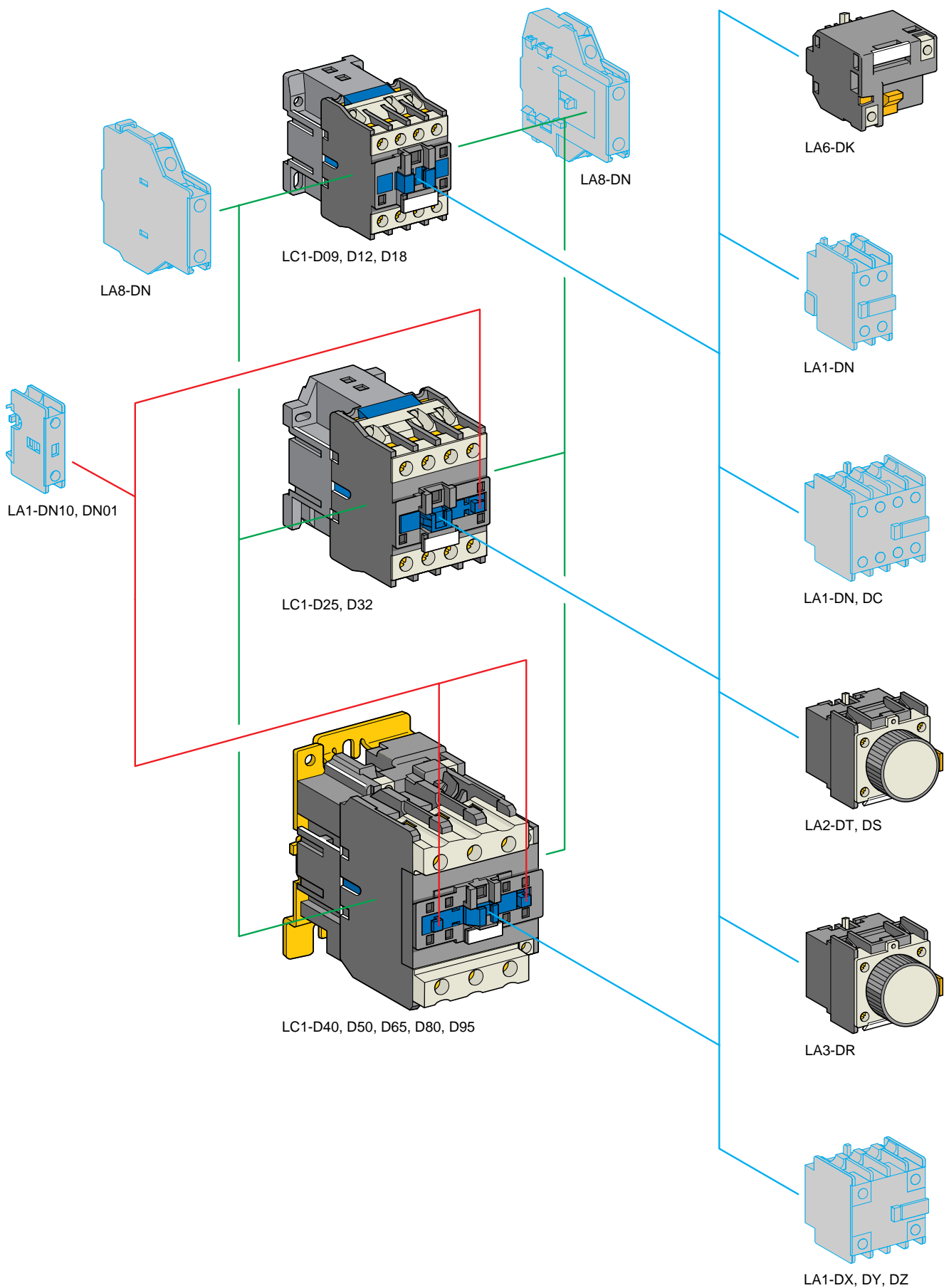
2	1 (D09...D95)	-	2	-	-	-	LA1-DX20	0.040
			-	2 (3)	-	-	LA1-DY20	0.040
4	1 (D09...D95)	-	2	-	2	-	LA1-DZ40	0.050
			2	-	1	1	LA1-DZ31	0.060

(1) Maximum mounting capacity, depending on type of coil.

Device type	Coil type	Operation guaranteed from	Maximum number of add-on blocks Clip-on mounting		
			front	side	side
LC1-D	50 or 60 Hz	0.8...1.1 Uc	1	+	2
	50/60 Hz	0.8...1.1 Uc	1	or	2
		0.85...1.1 Uc	1	+	2

(2) Including 1 N/O and 1 N/C make before break.

(3) Device fitted with 4 terminals for earth screen continuity.



Contactors

d 3 and 4-pole contactors, reversing and changeover contactors
 Auxiliary contact blocks and accessories
 Control circuit : a.c.

Illustrations :
 page 1/34

References

Time delay auxiliary contact blocks (1)

Number of contacts	Maximum number of blocks per contactor Front clip-on mounting	Time delay		Reference	Weight kg	
		Type	Setting range			
1 N/O + 1 N/C	1 (D09...D95)	On-delay	0.1...3 s (2)	LA2-DT0	0.060	
			0.1...30 s	LA2-DT2	0.060	
			10...180 s	LA2-DT4	0.060	
			1...30 s (3)	LA2-DS2	0.060	
			Off-delay	0.1...3 s (2)	LA3-DR0	0.060
				0.1...30 s	LA3-DR2	0.060
		10...180 s		LA3-DR4	0.060	

Mechanical latch blocks (1)

Unlatching control	Clip-on front mounting	Basic reference. To be completed (4)	Weight kg
Manual or electric	LC1-D09...D65	LA6-DK10●	0.070
	LC1-D80...D95	LA6-DK20●	0.090

(1) Maximum mounting capacity, depending on type of coil.

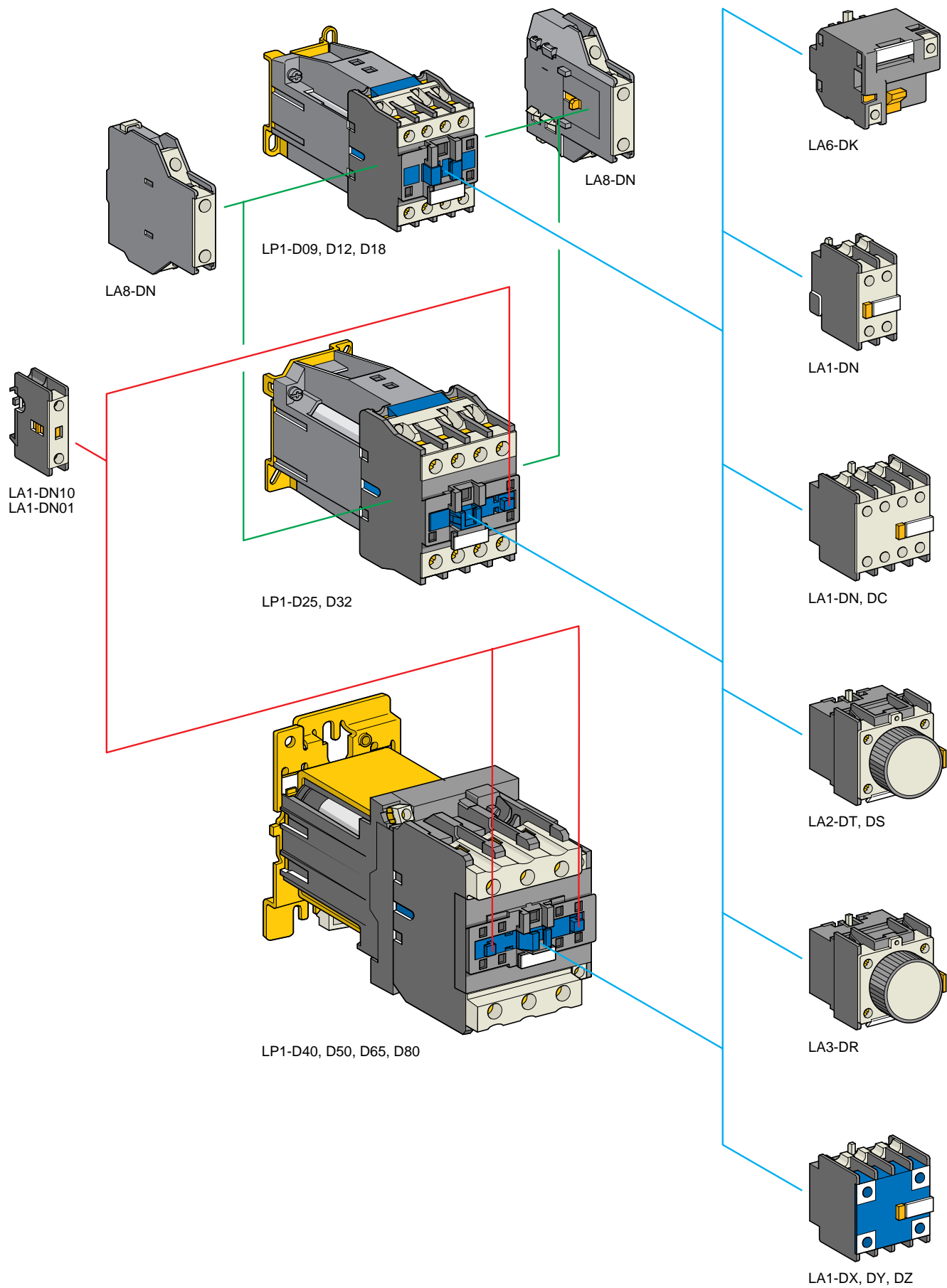
Device type	Coil type	Operation guaranteed from	Maximum number of add-on blocks		
			Clip-on mounting front	side	
LC1-D	50 or 60 Hz	0.8...1.1 Uc	1	+	2
	50/60 Hz	0.8...1.1 Uc	1	or	2
		0.85...1.1 Uc	1	+	2

(2) With extended scale from 0.1 to 0.6 s.

(3) With switching time of 40 ms ± 15 ms between opening of the N/C contact and closing of the N/O contact.

(4) Standard control circuit voltages (for other voltages, please consult your Regional customer centre).

Volts ~ or ---	12	24	32/36	42/48	60/72	100	110/127	220/240	255/277	380/415
Code	J	B	C	E	EN	K	F	M	U	Q



Contactors





d 3 and 4-pole contactors, reversing and changeover contactors
 Auxiliary contact blocks and accessories
 Control circuit : d.c.

Illustrations :
 page 1/36

References

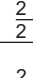
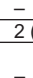
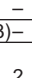
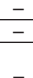
Instantaneous auxiliary contact blocks (1)

For use in normal operating environments

Number of contacts	Max. number of blocks per contactor Clip-on mounting		Composition				Reference	Weight kg
	Front	Side						
1	1 (D25 and D32)	–	–	–	1	–	LA1-DN10	0.020
	2 (D40...D80)	–	–	–	–	1	LA1-DN01	0.020
2	1 (D09...D80)	–	–	–	1	1	LA1-DN11	0.030
					2	–	LA1-DN20	0.030
					–	2	LA1-DN02	0.030
2	2 (D09...D32)	–	–	–	1	1	LA8-DN11	0.030
					2	–	LA8-DN20	0.030
4	1 (D09...D80)	–	–	–	2	2	LA1-DN22	0.050
					1	3	LA1-DN13	0.050
					4	–	LA1-DN40	0.050
					–	4	LA1-DN04	0.050
					3	1	LA1-DN31	0.050
					2	2 (2)	LA1-DC22	0.050

Instantaneous auxiliary contact blocks with dust and damp protected contacts (1)

For use in harsh industrial environments

Number of contacts	Max. number of blocks per contactor Clip-on mounting		Composition				Reference	Weight kg
	Front	Side						
2	1 (D09...D80)	–	2	–	–	–	LA1-DX20	0.040
			2	2 (3)	–	–	LA1-DY20	0.040
4	1 (D09...D80)	–	2	–	2	–	LA1-DZ40	0.050
			2	–	1	1	LA1-DZ31	0.060

Time delay auxiliary contact blocks (1)

Number of contacts	Max. number of blocks per contactor Clip-on mounting		Time delay		Reference	Weight kg
	Front	Side	Type	Setting range(s)		
1 N/O + 1 N/C	1 (D09...D80)	–	On delay	0.1...3 (4)	LA2-DT0	0.060
				0.1...30	LA2-DT2	0.060
				10...180	LA2-DT4	0.060
				1...30 (5)	LA2-DS2	0.060
1 N/O + 1 N/C	1 (D09...D80)	–	Off delay	0.1...3 (4)	LA3-DR0	0.060
				0.1...30	LA3-DR2	0.060
				10...180	LA3-DR4	0.060

Mechanical latch blocks (Manual or electric unlatching control)

Front clip-on mounting	Basic reference. To be completed (6)	Weight kg
LP1-D09...D65	LA6-DK10●	0.070
LP1-D80	LA6-DK20●	0.090

(1) Either of the following may be fitted, as required: 2 side-mounting contact blocks or 1 front mounting contact block.

(2) Including 1 N/O + 1 N/C make before break.

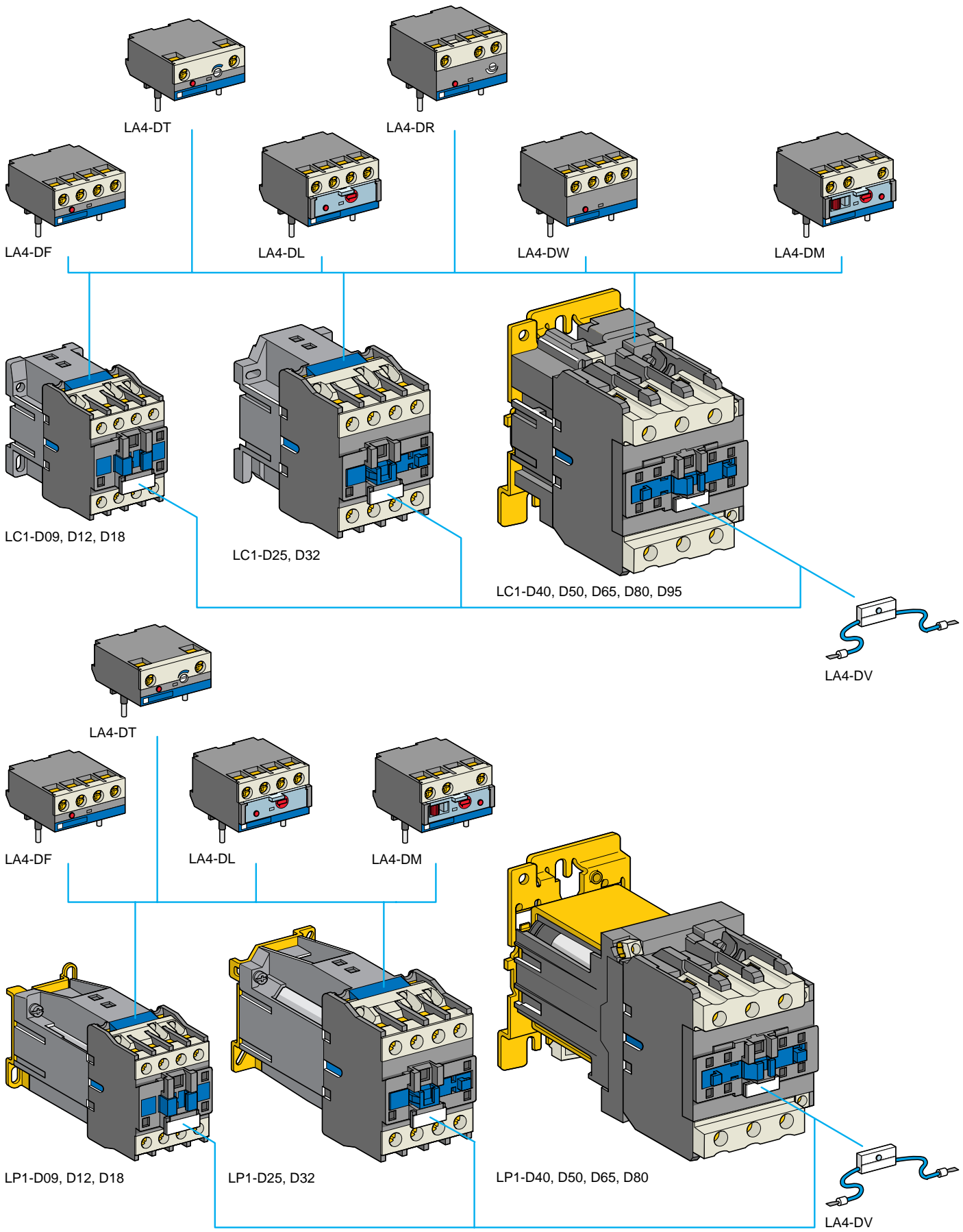
(3) Device fitted with 4 terminals for earth screen continuity.

(4) With extended scale from 0.1 to 0.6 s.

(5) With switching time of 40 ms ± 15 ms between opening of the N/C contact and closing of the N/O contact.

(6) Standard control circuit voltages (for other voltages, please consult your Regional customer centre).

Volts ~ or =	12	24	32/36	42/48	60/72	100	110/127	220/240	255/277	380/415
Code	J	B	C	E	EN	K	F	M	U	Q



Contactors

d 3 and 4-pole contactors, reversing and changeover contactors
Accessories

References

Illustrations :
page 1/38

Electronic serial timer modules (1)

Operational voltage (2)		Time delay	Reference	Weight
\sim LC1-	\equiv LP1-			kg
24...250 V	100...250 V	24...250 V		

On-delay type

D09...D32	D40...D95	D09...D32	Time delay	Reference	Weight
			0.1...2 s	LA4-DT0U	0.040
			1.5...30 s	LA4-DT2U	0.040
			25...500 s	LA4-DT4U	0.040

Off-delay type

D09...D18	D25...D95	–	Time delay	Reference	Weight
			0.1...2 s	LA4-DR0U	0.050
			1.5...30 s	LA4-DR2U	0.050
			25...500 s	LA4-DR4U	0.050

Interface modules (1)

Operational voltage		Supply voltage	Reference	Weight
\sim LC1-	\equiv LP1-	E1-E2 (---)		kg
24...250 V	100...250 V 380...415 V	24...250 V		

Relay interface

–	–	D09...D95	–	24 V	Reference	Weight
					LA4-DFBQ	0.055
D09...D95	–	–	D09...D32	24 V	LA4-DFB	0.050
				48 V	LA4-DFE	0.050

Relay interface with manual override switch (output forced "ON")

D09...D95	–	–	D09...D32	24 V	Reference	Weight
					LA4-DLB	0.045
				48 V	LA4-DLE	0.045

Solid state interface

D09...D32	D40...D95	–	–	24 V	Reference	Weight
					LA4-DWB	0.045

Auto-Man-Stop control modules (1)

For local override operation tests with 2-position "Auto-Man" switch and "O-I" switch

Operational voltage		Reference	Weight
\sim LC1-	\equiv LP1-		kg
24...100 V	100...250 V	24...100 V 100...250 V	

D09...D95	–	D09...D32	–	Reference	Weight
				LA4-DMK	0.040
–	D09...D95	–	D09...D32	LA4-DMU	0.040

Indicators (contactor state)

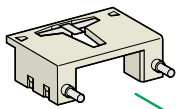
Red LED

For mounting on contactors LC1 and LP1	Supply voltage (\sim and \equiv)	Sold in lots of	Unit reference	Weight
Clips into legend plate location on all contactor sizes	12...72 V	5	LA4-DVE	0.010
	72...250 V	5	LA4-DVM	0.010
	250...440 V	5	LA4-DVR	0.010

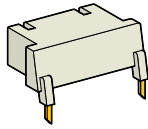
(1) Mounted at top on terminals A1 and A2 (screw fixing).

(2) For 24 V operation, the contactor must be fitted with a 21 V coil (code Z). See pages 1/49 to 1/52.

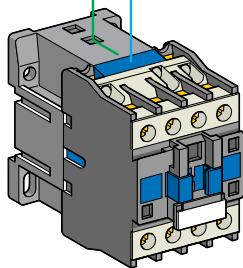
1



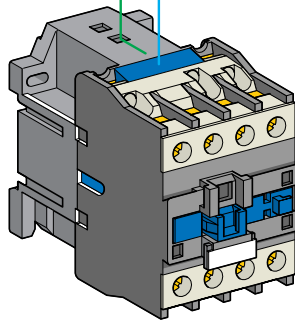
LA4-D●1



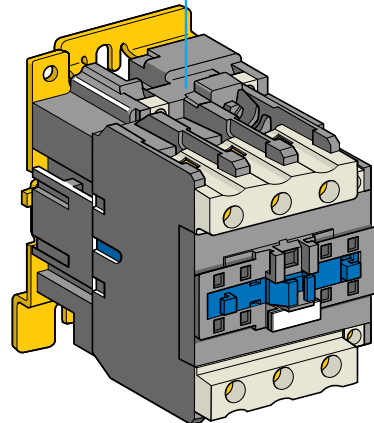
LA4-D●2



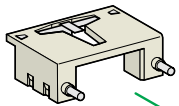
LC1-D09, D12, D18



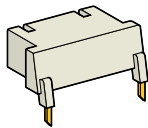
LC1-D25, D32



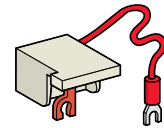
LC1-D40, D50, D65, D80, D95



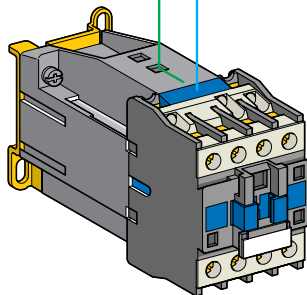
LA4-D●1



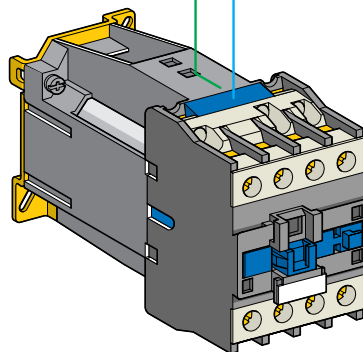
LA4-D●2



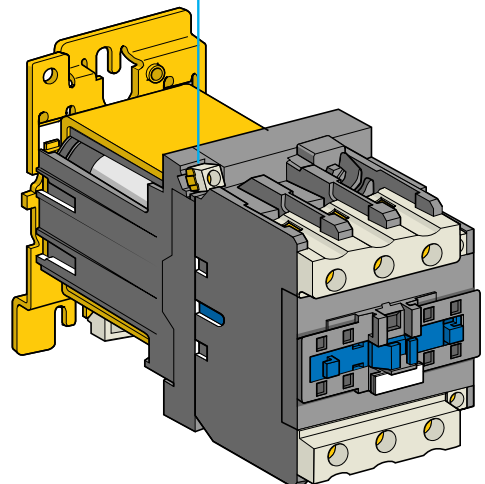
LA4-D●3



LP1-D09, D12, D18



LP1-D25, D32



LP1-D40, D50, D65, D80

Contactors

d 3 and 4-pole contactors, reversing and changeover contactors
Accessories

References

Illustrations :
page 1/40

Coil suppressor modules

RC circuits (resistor-capacitor) (1)

Mounted at top of contactor on coil terminals A1 and A2	For use with contactor (2) Rating	Type		Reference	Weight kg
		~ LC1- V	≡ LP1- V		
Clip-on fixing and electrical connection. Fitting of an input module is still possible.	D09...D32	24...48	–	LA4-DA1E	0.012
		50...127	–	LA4-DA1G	0.012
		110...240	–	LA4-DA1U	0.012
Screw fixing	D09...D95	24...48	–	LA4-DA2E	0.018
		50...127	–	LA4-DA2G	0.018
		110...240	–	LA4-DA2U	0.018
		380...415	–	LA4-DA2N	0.018

Varistors (peak limiting) (3)

Clip-on fixing and electrical connection. Fitting of an input module is still possible.	D09...D32	24...48	24...48	LA4-DE1E	0.012
		50...127	50...127	LA4-DE1G	0.012
		110...250	110...250	LA4-DE1U	0.012
Screw fixing	D09...D32	24...48	24...48	LA4-DE2E	0.018
		50...127	50...127	LA4-DE2G	0.018
		110...250	110...250	LA4-DE2U	0.018
	D40...D95	24...48	–	LA4-DE2E	0.018
		50...127	–	LA4-DE2G	0.018
		110...250	–	LA4-DE2U	0.018
D40...D80	–	24...48	LA4-DE3E	0.018	
	–	50...127	LA4-DE3G	0.018	
	–	110...250	LA4-DE3U	0.018	

Diodes (4)

Clip-on fixing and electrical connection. Fitting of an input module is still possible.	D09...D32	–	12...250	LA4-DC1U	0.012
Screw fixing	D09...D32	–	12...250	LA4-DC2U	0.018
				D40...D80	–

Bidirectional peak limiting diode (5)

Clip-on fixing and electrical connection. Fitting of an input module is still possible.	D09...D32	24	24	LA4-DB1B	0.012
		72	72	LA4-DB1S	0.012
Screw fixing	D09...D32	24	24	LA4-DB2B	0.018
		72	72	LA4-DB2S	0.018
	D40...D95	24	–	LA4-DB2B	0.018
		72	–	LA4-DB2S	0.018
	D40...D80	–	24	LA4-DB3B	0.018
		–	72	LA4-DB3S	0.018

(1) Effective protection for circuits highly sensitive to "high frequency" interference. Voltage limited to 3 Uc max and oscillating frequency limited to 400 Hz max.

Slight increase in drop-out time (1.2 to 2 times the normal time).

(2) For satisfactory protection, a suppressor module must be fitted across the coil of each contactor

(3) Protection provided by limiting the transient voltage to 2 Uc max.

Maximum reduction of transient voltage peaks.

Slight increase in drop-out time (1.1 to 1.5 times the normal time).

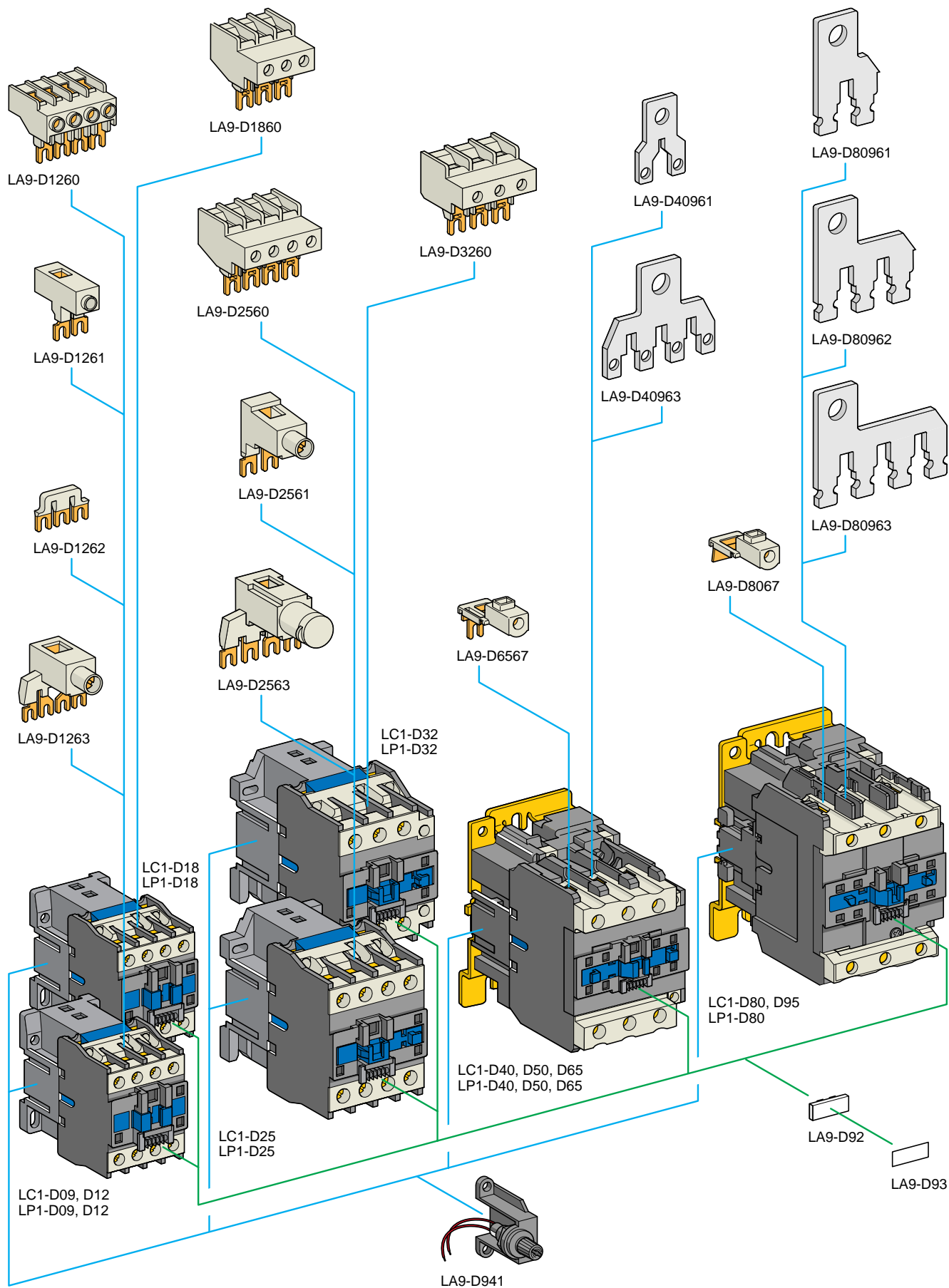
(4) No overvoltage or oscillating frequency.

Increase in drop-out time (6 to 10 times the normal time).

Polarised component.

(5) Protection provided by limiting the transient voltage to 2 Uc max.

Maximum reduction of transient voltage peaks.



Contactors

d 3 and 4-pole contactors, reversing and changeover contactors
Accessories

References

Illustrations :
page 1/42

Accessories for main pole and control connections

Description	For use on contactors		Sold in lots of	Unit reference	Weight kg	
	~ LC1-	≡ LP1-				
Connectors for cable sizes :	4-pole 10 mm ²	D09, D12	D09, D12	1	LA9-D1260	0.030
	3-pole 25 mm ²	D18	D18	1	LA9-D1860	0.035
		D2500, D32	D32	1	LA9-D3260	0.040
	4-pole 25 mm ²	D25	D25	1	LA9-D2560	0.050
Links for parallel connection of	2 poles	D09, D12	D09, D12	10	LA9-D1261	0.012
		D25	D25	10	LA9-D2561	0.060
		D40...D65	D40...D65	2	LA9-D40961	0.021
		D80, D95	D80	2	LA9-D80961	0.060
	3 poles (star connection)	D09, D12	D09, D12	10	LA9-D1262	0.003
		D80, D95	D80	1	LA9-D80962	0.080
	4-pole	D09, D12	D09, D12	2	LA9-D1263	0.024
		D25	D25	2	LA9-D2563	0.017
		D40...D65	D40...D65	2	LA9-D40963	0.070
		D80, D95	D80	2	LA9-D80963	0.100
Staggered coil connection	–	D40...D80	10	LA9-D09966	0.006	
Control circuit take-off from main pole	–	D40...D65	10	LA9-D6567	0.010	
	–	D80	10	LA9-D8067	0.010	

Accessories for protection and marking

Description	For use on			Sold in lots of	Unit reference	Weight kg
	Contactors ~ LC1-	Add-on blocks ≡ LP1-				
Miniature fuse holder type 5 x 20 with 4 A - 250 V fuse	D09...D95	D09...D80	–	1	LA9-D941	0.025
Legend holder 8 x 22 mm snap-in	D09...D95	D09...D80	LA1-D (4 contacts) LA2-D, LA3-D LA6-DK	100	LA9-D92	0.001
Legend holder 8 x 17 mm snap-in	–	–	LA1-DN (2 contacts)	100	LA9-D90	0.001
Bag of 300 labels (blank, self-adhesive) 7 x 21 mm	D09...D95	D09...D80	LA1-D (4 contacts) LA2-D, LA3-D LA6-DK	1	LA9-D93	0.001
Bag of 400 labels (blank, self-adhesive) 7 x 16 mm	–	–	LA1-DN (2 contacts)	1	LA9-D91	0.001
Sealing cover	–	–	LA2, LA3-D	1	LA9-D901	0.005

Accessories for mounting

Adaptor for mounting on □ rail	D09...D32	D09...D32	–	1	LA9-D973	0.025
Mounting plates for fixing on 2 □ rails (120 mm fixing centres)	D09...D18	D09...D18	–	10	DX1-AP25	0.065
	D25...D32	D25...D32	–	10	DX1-AP26	0.082
Set of shims for fitting side-mounting blocks LA8-DN on LC1-D40 to D95	–	–	–	1	LA9-D511	0.020

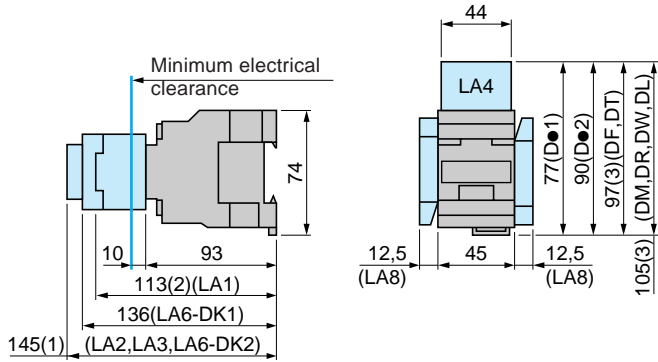
Contactors

d 3 and 4-pole contactors, type LC1-D

Dimensions

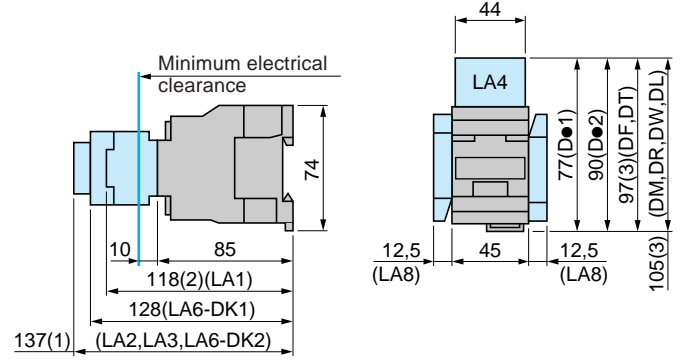
References :
pages 1/18 and 1/20

LC1-D09, D12



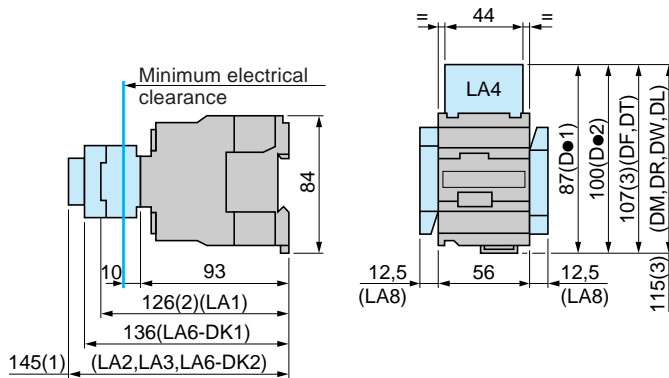
- (1) + 4 mm with lead sealing kit
 - (2) With 2 or 4 contacts
 - (3) With or without combined use of a coil suppressor module
- LA4-DA1, DE1

LC1-D18 LC1-D2500



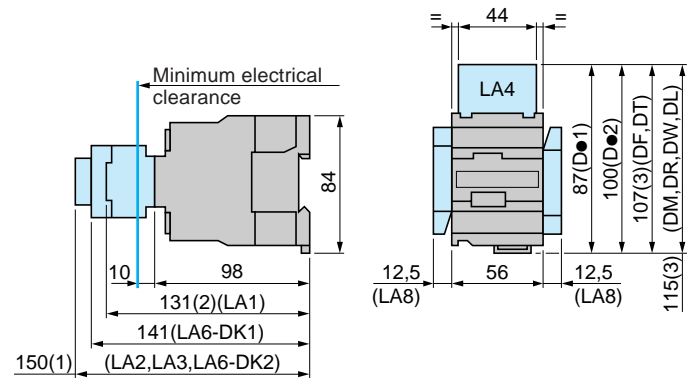
- (1) + 4 mm with lead sealing kit
 - (2) With 2 or 4 contacts
 - (3) With or without combined use of a coil suppressor module
- LA4-DA1, DE1

LC1-D2510, D2501, D25004



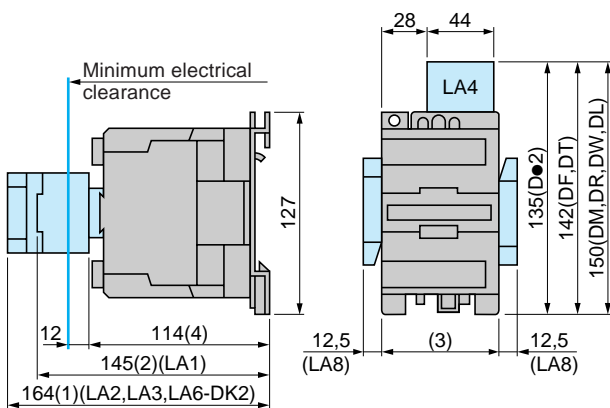
- (1) + 4 mm with lead sealing kit
 - (2) With 2 or 4 contacts; 1 contact = 120 (LA1-DN10 or DN01)
 - (3) With or without combined use of a coil suppressor module
- LA4-DA1, DE1

LC1-D32



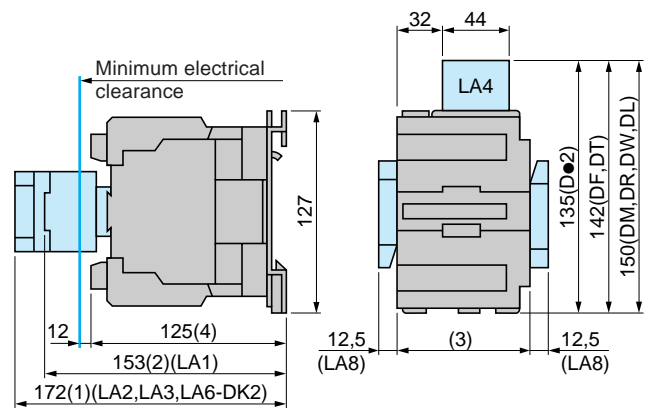
- (1) + 4 mm with lead sealing kit
 - (2) With 2 or 4 contacts; 1 contact = 125 (LA1-DN10 or DN01)
 - (3) With or without combined use of a coil suppressor module
- LA4-DA1, DE1

LC1-D40, D50, D65



- (1) + 4 mm with lead sealing kit
- (2) With 2 or 4 contacts; 1 contact = 139 (LA1-DN10 or DN01)
- (3) 75 : 3 poles, 85 : 4 poles
- (4) 125 : LC1-D●●008

LC1-D80, D95



- (1) + 4 mm with lead sealing kit
- (2) With 2 or 4 contacts; 1 contact = 147 (LA1-DN10 or DN01)
- (3) 85 : 3 poles, 96 : 4 poles
- (4) 140 : LC1-D●●008

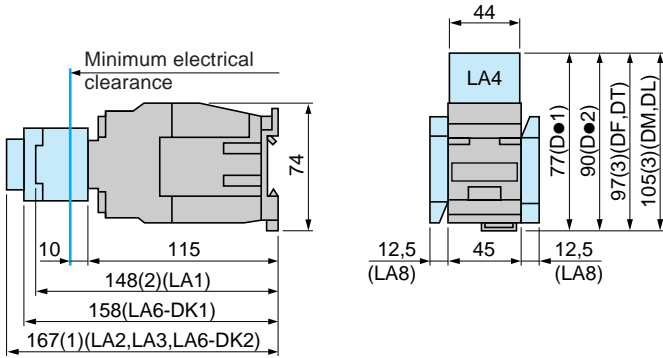
Contactors

d 3 and 4-pole contactors, type LP1-D

Dimensions

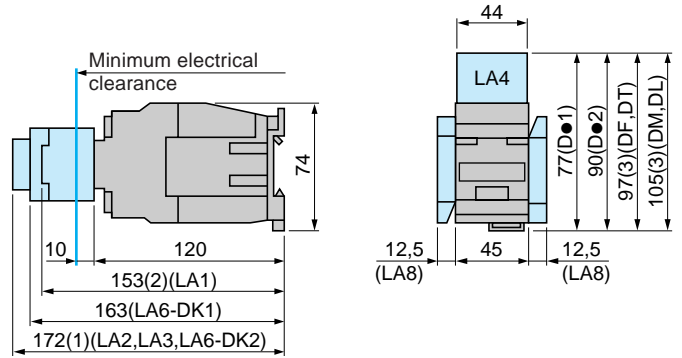
References :
page 1/19 and 1/21

LP1-D09, D12



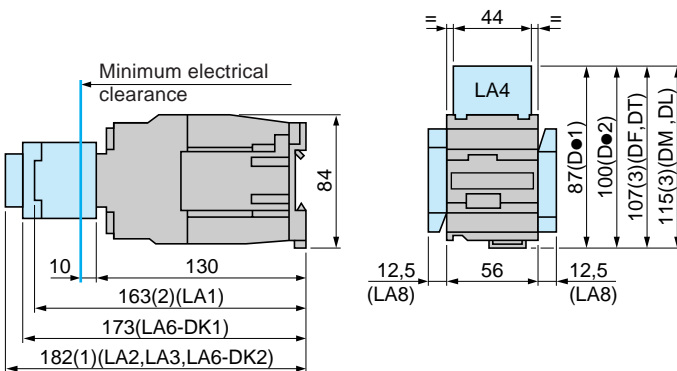
- (1) + 4 mm with lead sealing kit
- (2) With 2 or 4 contacts
- (3) With or without combined use of a coil suppressor module LA4-DC1, DE1.

LP1-D18



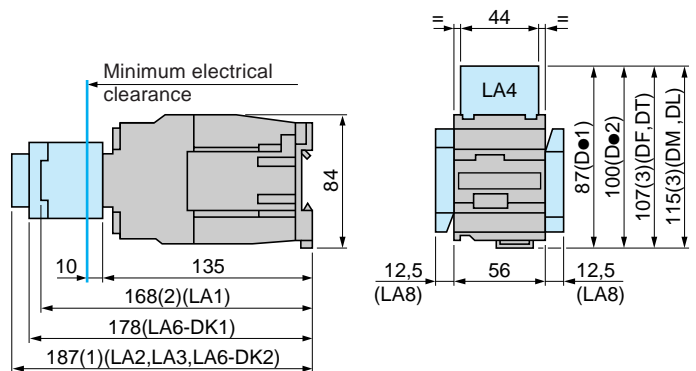
- (1) + 4 mm with lead sealing kit
- (2) With 2 or 4 contacts
- (3) With or without combined use of a coil suppressor module LA4-DC1, DE1.

LP1-D25



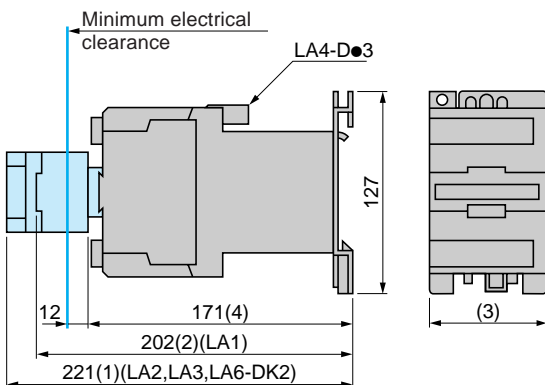
- (1) + 4 mm with lead sealing kit
- (2) With 2 or 4 contacts; 1 contact : 157 (LA1-DN10 or DN01)
- (3) With or without combined use of a coil suppressor module LA4-DC1, DE1.

LP1-D32



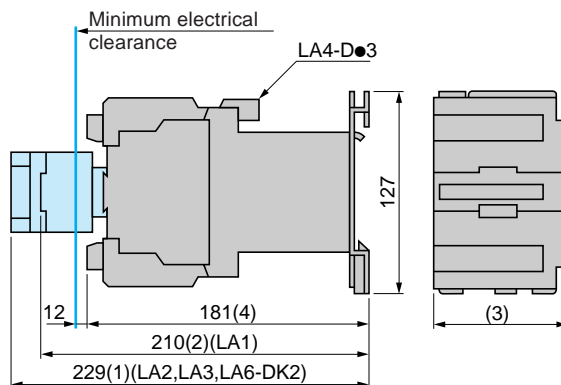
- (1) + 4 mm with lead sealing kit
- (2) With 2 or 4 contacts; 1 contact : 162 (LA1-DN10 or DN01)
- (3) With or without combined use of a coil suppressor module LA4-DC1, DE1.

LP1-D40, D50, D65



- (1) + 4 mm with lead sealing kit
- (2) With 2 or 4 contacts; 1 contact : 196 (LA1-DN10 or DN01)
- (3) 75 : 3 poles, 85 : 4 poles
- (4) 182 : LP1-D●●008

LP1-D80



- (1) + 4 mm with lead sealing kit
- (2) With 2 or 4 contacts; 1 contact : 204 (LA1-DN10 or DN01)
- (3) 85 : 3 poles, 96 : 4 poles
- (4) 196 : LP1-D●●008

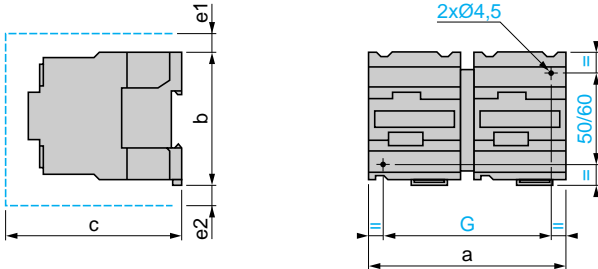
Contactors

d 3-pole reversing and 4-pole changeover contactors
Types LC2-D and LP2-D

Dimensions (1)

References :
pages 1/22 and 1/23

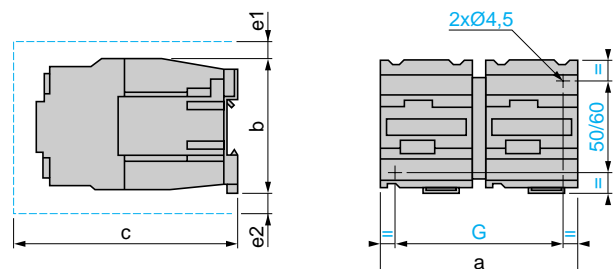
LC2-D09 to D32
2 x LC1-D09 to D32



LC2- or 2 x LC1-	a	b	c	e1 (3 P)	e2 (4 P)	G
D09, D12	105	74	84	7	6	95
D18	106	74	92	8	-	95
D25	127	84	99	8	7	111
D32	127	84	117	10	-	111

c, e1 and e2 including cabling

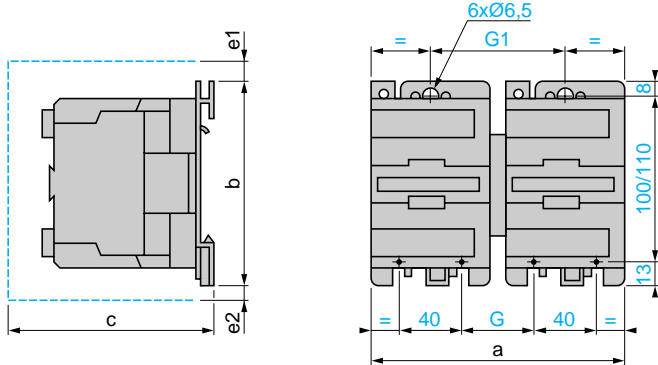
LP2-D09 to D32
2 x LP1-D09 to D32



LP2- or 2 x LP1-	a	b	c	e1 (3 P)	e2 (4 P)	G
D09, D12	105	74	119	7	6	95
D18	106	74	127	8	-	95
D25	127	84	136	8	7	111
D32	127	84	154	10	-	111

c, e1 and e2 including cabling

LC2-D40 to D65
2 x LC1-D40 to D65

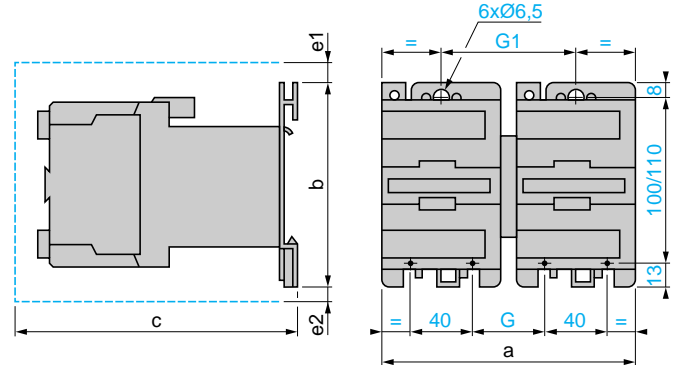


LC2- or 2 x LC1- (3 P)	a	b	c	e1	G	G1
D40, D50, D65	165	127	142	5	50	90

LC2- or 2 x LC1- (4 P)	a	b	c	e2	G	G1
D40, D65	182	127	133	11	57	97

c, e1 and e2 including cabling

2 x LP1-D40 to D65

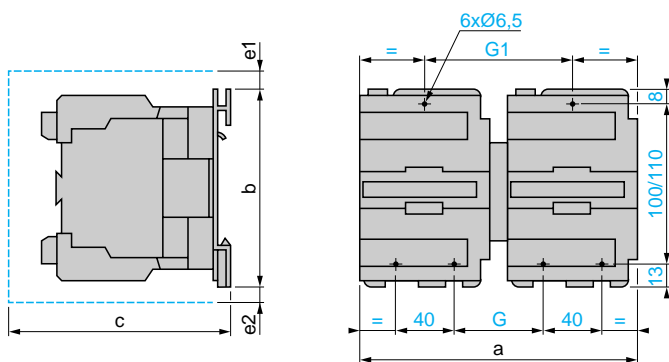


2 x LP1- (3 P)	a	b	c	e1	G	G1
D40, D50, D65	165	127	199	5	50	90

2 x LP1- (4 P)	a	b	c	e2	G	G1
D40, D65	182	127	190	11	57	97

c, e1 and e2 including cabling

LC2-D80 and D95
2 x LC1-D80 and D95

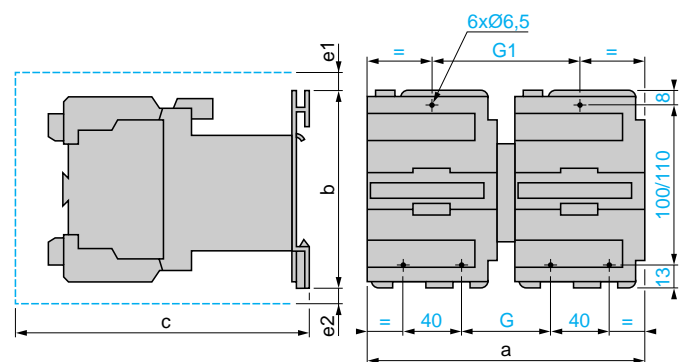


LC2- or 2 x LC1- (3 P)	a	b	c	e1	G	G1
D80, D95	182	127	158	13	57	96

LC2- or 2 x LC1- (4 P)	a	b	c	e2	G	G1
D80	207	127	158	20	71	111

c, e1 and e2 including cabling

2 x LP1-D80



2 x LP1- (3 P)	a	b	c	e1	G	G1
D80	182	127	215	13	57	96

2 x LP1- (4 P)	a	b	c	e2	G	G1
D80	207	127	215	20	71	111

c, e1 and e2 including cabling

(1) Dimensions with auxiliary contact blocks and add-on modules see pages 1/44 and 1/45.

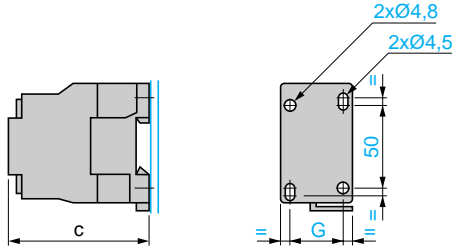
Contactors

d 3 and 4-pole contactors, types LC1-D and LP1-D

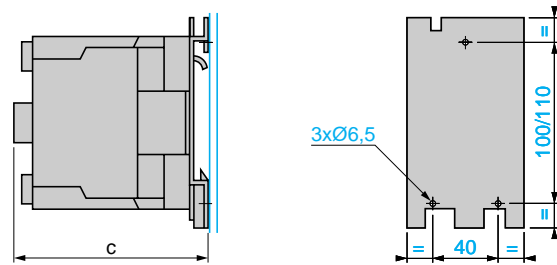
Mounting

References :
pages 1/18 to 1/21

LC1-D09 to D32 Panel mounted



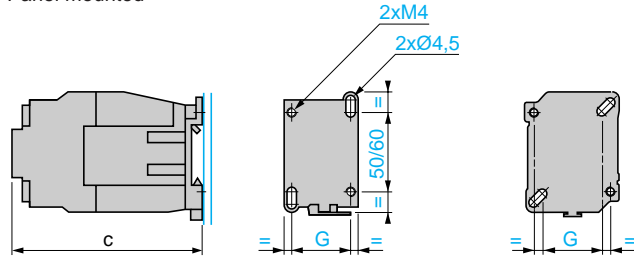
LC1-D40 to D95 Panel mounted



LC1-	D09	D12	D18	D25	D32
c	80	80	85	93	98
G	35	35	35	44	44

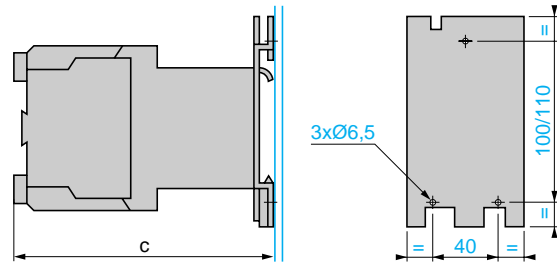
LC1-	D40	D50	D65	D80	D95
c	114	114	114	125	125

LP1-D09 to D32 Panel mounted



LP1-D25 and D32

LP1-D40 to D80 Panel mounted

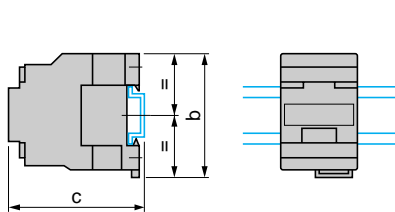


LP1-	D09	D12	D18	D25	D32
c	115	115	120	130	135
G	35	35	35	50	50

LP1-	D40	D50	D65	D80
c	171	171	171	181

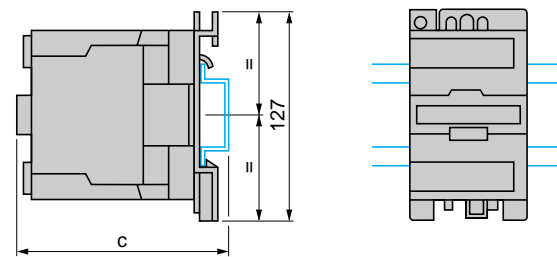
LC1-D09 to D32

On mounting rail AM1-DP200 or AM1-DE200



LC1-D40 to D95

On mounting rail AM1-DL200 or DL201 (width 75 mm)
On mounting rail AM1-ED●●● or AM1-DE200 (width 35 mm)



LC1-	D09	D12	D18	D25	D32
b	74	74	74	84	84
c (AM1-DP200)	82	82	87	95	100
c (AM1-DE200)	90	90	95	103	108

LC1-	D40	D50	D65	D80	D95
c (AM1-DL200)	131	131	131	142	142
c (AM1-DL201/	121	121	121	132	132
c (AM1-ED●●● or DE200)	121	121	121	132	132

Contactors

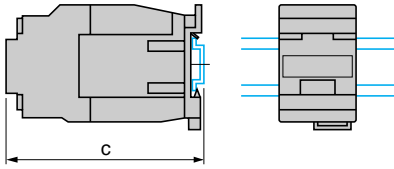
d 3 and 4-pole contactors, types LC1-D and LP1-D

Mounting

References :
page 1/18 to 1/21

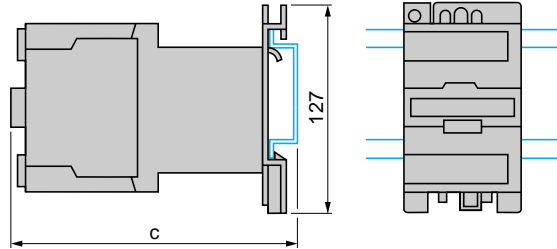
LP1-D09 to D32

On mounting rail AM1-DP200 or AM1-DE200



LP1-D40 to D80

On mounting rail AM1-DL200 or AM1-DL201 (width 75 mm)

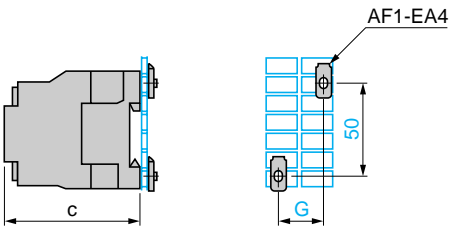


LP1-	D09	D12	D18	D25	D32
c (AM1-DP200)	117	117	122	132	137
c (AM1-DE200)	125	125	130	140	145

LP1-	D40	D50	D65	D80
c (AM1-DL200)	188	188	188	198
c (AM1-DL201)	178	178	178	188

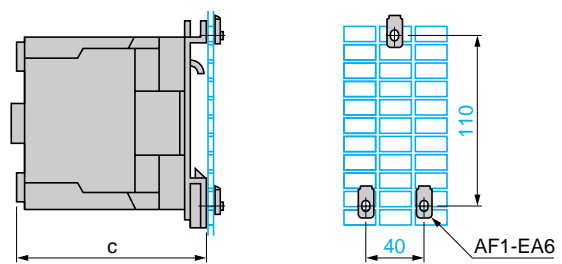
LC1, LP1-D09 to D32

On pre-slotted mounting plate AM1-PA, PB, PC



LC1-D40 to D95, LP1-D40 to D80

On pre-slotted mounting plate AM1-PA, PB, PC



LC1-	D09	D12	D18	D25	D32
c	80	80	85	93	98
G	35	35	35	44	44

LC1-	D40	D50	D65	D80	D95
c	114	114	114	125	125

LP1-	D09	D12	D18	D25	D32
c	115	115	120	130	135
G	35	35	35	40 or 50	40 or 50

LP1-	D40	D50	D65	D80
c	171	171	171	181

Contactors

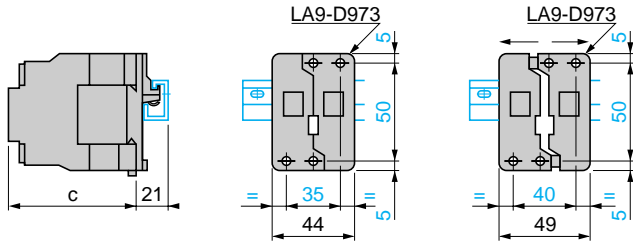
d 3 and 4-pole contactors, types LC1-D and LP1-D

Mounting

References :
page 1/18 to 1/21

LC1, LP1-D09 to D32

On 1 mounting rail DZ5-MB and clip-on mounting plate LA9-D973
D09 to D18 D25, D32

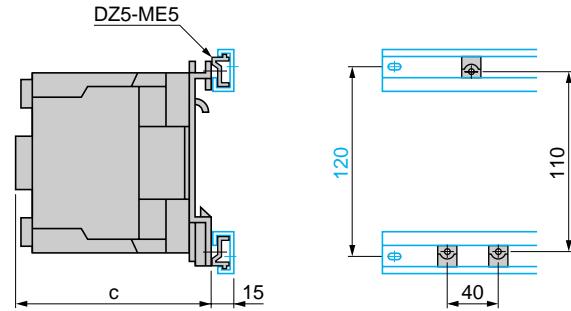


LC1-	D09	D12	D18	D25	D32
c	80	80	85	93	98

LP1-	D09	D12	D18	D25	D32
c	115	115	120	130	135

LC1-D40 to D95, LP1-D40 to D80

On 2 mounting rails DZ5-MB on 120 mm centres

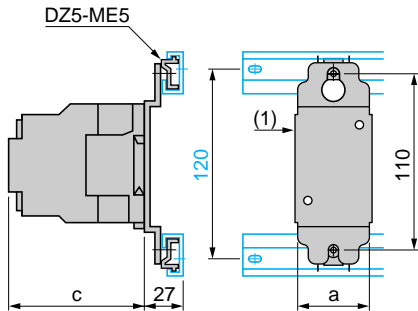


LC1-	D40	D50	D65	D80	D95
c	114	114	114	125	125

LP1-	D40	D50	D65	D80
c	171	171	171	181

LC1, LP1-D09 to D32

On 2 mounting rails DZ5-MB on 120 mm centres



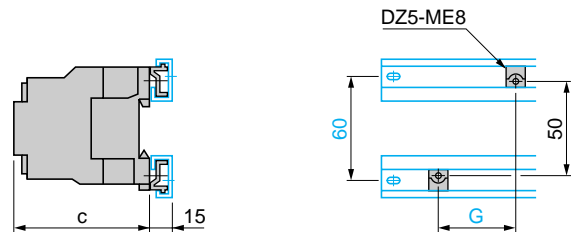
LC1-	D09	D12	D18	D25	D32
a	45	45	45	57	57
c	80	80	85	93	98

(1) DX1-AP25 (LC1-D09 to D18), DX1-AP26 (LC1-D25 and D32)

LP1-	D09	D12	D18	D25	D32
a	45	45	57	57	57
c	115	115	120	130	135

(1) DX1-AP25 (LP1-D09 to D18), DX1-AP26 (LP1-D25 and D32)

On 2 mounting rails DZ5-MB on 60 mm centres



LC1-	D09	D12	D18	D25	D32
c	80	80	85	93	98
G	35	35	35	44	44

LC1-	D09	D12	D18	D25	D32
c	115	115	120	130	135
G	35	35	35	40 or 50	40 or 50

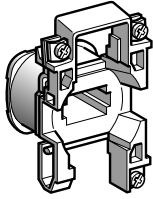
Contactors

d 3 and 4-pole contactors type LC1-D (9 to 95 A)
a.c. coils



References

1



LX1-D2●●

Control circuit voltage U _c	Average resistance. at 20 °C ± 10%	Inductance of closed circuit H	Reference (1)	Average resistance. at 20 °C ± 10 %	Inductance of closed circuit H	Reference (1)	Weight kg
V	Ω	H		Ω	H		

For contactors LC1-D09, D12, D18, D2500

50 Hz			60 Hz				
21 (2)	6.3	0.26	LX1-D2Z5	4.98	0.21	LX1-D2Z6	0.070
24	6.82	0.3	LX1-D2B5	5.45	0.25	LX1-D2B6	0.070
32	12.26	0.48	LX1-D2C5	—	—	—	0.070
42	21.32	0.93	LX1-D2D5	—	—	—	0.070
48	28.05	1.22	LX1-D2E5	22.09	1.02	LX1-D2E6	0.070
110	148.2	5.7	LX1-D2F5	116.6	4.5	LX1-D2F6	0.070
120	—	—	—	139.2	5.1	LX1-D2G6	0.070
127	192.5	7.5	LX1-D2G5	—	—	—	0.070
208	—	—	—	417.8	16.6	LX1-D2L6	0.070
220	—	—	—	490.2	18.5	LX1-D2M6	0.070
220/230	613.3	23	LX1-D2M5	—	—	—	0.070
230	649.7	25	LX1-D2P5	—	—	—	0.070
240	726.6	25	LX1-D2U5	587.4	21	LX1-D2U6	0.070
256	816	31	LX1-D2W5	—	—	—	0.070
277	—	—	—	781.5	30	LX1-D2W6	0.070
380	—	—	—	1486	55	LX1-D2Q6	0.070
380/400	1848	67	LX1-D2Q5	—	—	—	0.070
400	2069	68	LX1-D2V5	—	—	—	0.070
415	2219	78	LX1-D2N5	1826	69	LX1-D2N6	0.070
440	2549	82	LX1-D2R5	1892	71	LX1-D2R6	0.070
480	—	—	—	2304	85	LX1-D2T6	0.070
500	3285	107	LX1-D2S5	—	—	—	0.070
575	—	—	—	3432	119	LX1-D2S6	0.070
600	—	—	—	3678	135	LX1-D2X6	0.070
660	5631	190	LX1-D2Y5	—	—	—	0.070

Specifications

Average consumption at 20 °C :
 - inrush (cos φ = 0.75) 50 Hz : 60 VA, 60 Hz : 70 VA.
 - sealed (cos φ = 0.3) 50 Hz : 7 VA, 60 Hz : 7.5 VA.
 Operating range (θ ≤ 55 °C) : 0.8...1.1 U_c.

50/60 Hz			
21 (2)	—	—	5.6 0.24 LX1-D2Z7 0.070
24	—	—	6.19 0.26 LX1-D2B7 0.070
42	—	—	19.15 0.77 LX1-D2D7 0.070
48	—	—	25 1 LX1-D2E7 0.070
110	—	—	130 5.5 LX1-D2F7 0.070
120	—	—	159 6.7 LX1-D2G7 0.070
220/230 (3)	—	—	539 22 LX1-D2M7 0.070
230	—	—	595 21 LX1-D2P7 0.070
230/240 (4)	—	—	645 25 LX1-D2U7 0.070
380/400	—	—	1580 60 LX1-D2Q7 0.070
400	—	—	1810 64 LX1-D2V7 0.070
415	—	—	1938 74 LX1-D2N7 0.070
440	—	—	2242 79 LX1-D2R7 0.070

Specifications

Average consumption at 20 °C :
 - inrush (cos φ = 0.75) 50/60 Hz : 70 VA to 50 Hz.
 - sealed (cos φ = 0.3) 50/60 Hz : 8 VA to 50 Hz.
 Operating range (θ ≤ 55 °C) : 0.85...1.1 U_c.

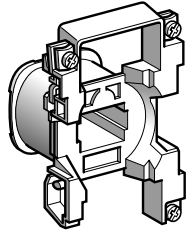
- (1) The last 2 digits of the reference represent the voltage code.
 (2) Voltage for special coils fitted in contactors with serial timer modules, with 24 V supply.
 (3) This coil can be used on 240 V at 60 Hz.
 (4) This coil can be used on 230/240 V at 50 Hz and at 240 V only at 60 Hz.

Contactors

d 3 and 4-pole contactors type LC1-D (9 to 95 A)
a.c. coils



References



LX1-D4●●

Control circuit voltage U _c	Average resistance. at 20 °C ± 10%	Inductance. of closed circuit H	Reference (1)	Average resistance. at 20 °C ± 10 %	Inductance. of closed circuit H	Reference (1)	Weight kg
V	Ω	H		Ω	H		

For contactors LC1-D25, D32 (except LC1-D2500)

			50 Hz				60 Hz			
21 (2)	3.5	0.23	LX1-D4Z5	2.9	0.14	LX1-D4Z6	0.070			
24	4.5	0.25	LX1-D4B5	3.5	0.18	LX1-D4B6	0.070			
32	8.6	0.45	LX1-D4C5	–	–	–	0.070			
42	14.4	0.78	LX1-D4D5	–	–	–	0.070			
48	18.6	1.1	LX1-D4E5	14.5	0.72	LX1-D4E6	0.070			
110	105	5.4	LX1-D4F5	81	3.8	LX1-D4F6	0.070			
120	–	–	–	98	4.5	LX1-D4G6	0.070			
127	136	7.1	LX1-D4G5	–	–	–	0.070			
208	–	–	–	272	14	LX1-D4L6	0.070			
220	–	–	–	325	15	LX1-D4M6	0.070			
220/230	431	21	LX1-D4M5	–	–	–	0.070			
230	454	23	LX1-D4P5	–	–	–	0.070			
240	526	25	LX1-D4U5	405	18	LX1-D4U6	0.070			
256	565	29	LX1-D4W5	–	–	–	0.070			
277	–	–	–	525	24	LX1-D4W6	0.070			
380	–	–	–	1010	30	LX1-D4Q6	0.070			
380/400	1306	64	LX1-D4Q5	–	–	–	0.070			
400	1389	73	LX1-D4V5	–	–	–	0.070			
415	1595	76	LX1-D4N5	–	–	–	0.070			
440	1710	85	LX1-D4R5	1315	61	LX1-D4R6	0.070			
480	–	–	–	1605	72	LX1-D4T6	0.070			
500	2168	110	LX1-D4S5	–	–	–	0.070			
575	–	–	–	2360	103	LX1-D4S6	0.070			
600	–	–	–	2480	113	LX1-D4X6	0.070			
660	3984	191	LX1-D4Y5	–	–	–	0.070			

Specifications

Average consumption at 20 °C :

- inrush (cos φ = 0.75) 50 Hz : 90 VA, 60 Hz : 100 VA.

- sealed (cos φ = 0.3) 50Hz : 7.5 VA, 60 Hz : 8.5 VA.

Operating range (θ ≤ 55 °C) : 0.8...1.1 U_c.

			50/60 Hz						
21 (2)	–	–	–	3.1	0.18	LX1-D4Z7	0.085		
24	–	–	–	4.3	0.23	LX1-D4B7	0.085		
42	–	–	–	13.5	0.69	LX1-D4D7	0.085		
48	–	–	–	16	0.92	LX1-D4E7	0.085		
110	–	–	–	91	4.9	LX1-D4F7	0.085		
120	–	–	–	107	5.5	LX1-D4G7	0.085		
220/230 (3)	–	–	–	367	16	LX1-D4M7	0.085		
230	–	–	–	377	21	LX1-D4P7	0.085		
230/240 (4)	–	–	–	452	23	LX1-D4U7	0.085		
380/400	–	–	–	1186	32	LX1-D4Q7	0.085		
400	–	–	–	1200	65	LX1-D4V7	0.085		
415	–	–	–	1383	70	LX1-D4N7	0.085		
440	–	–	–	1478	78	LX1-D4R7	0.085		

Specifications

Average consumption at 20 °C :

- inrush (cos φ = 0.75) 50/60 Hz : 100 VA to 50 Hz.

- sealed (cos φ = 0.3) 50/60 Hz : 8.5 VA to 50 Hz.

Operating range (θ ≤ 55 °C) : 0.85...1.1 U_c.

(1) The last 2 digits of the reference represent the voltage code.

(2) Voltage for special coils fitted in contactors with serial timer modules, with 24 V supply.

(3) This coil can be used on 240 V at 60 Hz.

(4) This coil can be used on 230/240 V at 50 Hz and at 240 V only at 60 Hz.

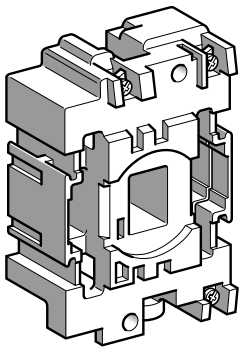
Contactors

d 3 and 4-pole contactors type LC1-D (9 to 95 A)
a.c. coils



References

1



LX1-D6●●

Control circuit voltage Uc	Average resistance. at 20 °C ± 10%	Inductance. of closed circuit	Reference (1)	Average resistance. at 20 °C ± 10 %	Inductance. of closed circuit	Reference (1)	Weight
V	Ω	H		Ω	H		kg

For contactors LC1-D40, D50, D65, D80, D95

			50 Hz	60 Hz			
24	1.4	0.09	LX1-D6B5	1.05	0.06	LX1-D6B6	0.280
32	2.6	0.16	LX1-D6C5	—	—	—	0.280
42	4.4	0.27	LX1-D6D5	—	—	—	0.280
48	5.5	0.35	LX1-D6E5	4.2	0.23	LX1-D6E6	0.280
110	31	1.9	LX1-D6F5	22	1.2	LX1-D6F6	0.280
120	—	—	—	28	1.5	LX1-D6G6	0.280
127	41	2.4	LX1-D6G5	—	—	—	0.280
208	—	—	—	86	4.3	LX1-D6L6	0.280
220	—	—	—	98	4.8	LX1-D6M6	0.280
220/230	127	7.5	LX1-D6M5	—	—	—	0.280
230	133	8.1	LX1-D6P5	—	—	—	0.280
240	152	8.7	LX1-D6U5	120	5.7	LX1-D6U6	0.280
256	166	10	LX1-D6W5	—	—	—	0.280
277	—	—	—	157	8	LX1-D6W6	0.280
380	—	—	—	300	14	LX1-D6Q6	0.280
380/400	381	22	LX1-D6Q5	—	—	—	0.280
400	411	25	LX1-D6V5	—	—	—	0.280
415	463	26	LX1-D6N5	—	—	—	0.280
440	513	30	LX1-D6R5	392	19	LX1-D6R6	0.280
480	—	—	—	480	23	LX1-D6T6	0.280
500	668	38	LX1-D6S5	—	—	—	0.280
575	—	—	—	675	33	LX1-D6S6	0.280
600	—	—	—	775	36	LX1-D6X6	0.280
660	1220	67	LX1-D6Y5	—	—	—	0.280

Specifications

Average consumption at 20 °C :
 - inrush (cos φ = 0.75) 50 Hz : 200 VA, 60 Hz : 220 VA.
 - sealed (cos φ = 0.3) 50Hz : 20 VA, 60 Hz : 22 VA.
 Operating range (θ ≤ 55 °C) : 0.85...1.1 Uc.

							50/60 Hz	
24	—	—	—	1.22	0.08	LX1-D6B7	0.280	
42	—	—	—	3.5	0.25	LX1-D6D7	0.280	
48	—	—	—	5	0.32	LX1-D6E7	0.280	
110	—	—	—	26	1.7	LX1-D6F7	0.280	
120	—	—	—	32	2	LX1-D6G7	0.280	
220/230 (2)	—	—	—	102	6.7	LX1-D6M7	0.280	
230	—	—	—	115	7.7	LX1-D6P7	0.280	
230/240 (3)	—	—	—	131	8.3	LX1-D6U7	0.280	
380/400 (4)	—	—	—	310	20	LX1-D6Q7	0.280	
400	—	—	—	349	23	LX1-D6V7	0.280	
415	—	—	—	390	24	LX1-D6N7	0.280	
440	—	—	—	410	27	LX1-D6R7	0.280	

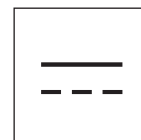
Specifications

Average consumption at 20 °C :
 - inrush (cos φ = 0.75) 50 /60 Hz : 245 VA to 50 Hz.
 - sealed (cos φ = 0.3) 50/60 Hz : 26 VA to 50 Hz.
 Operating range (θ ≤ 55 °C) : 0.85...1.1 Uc.

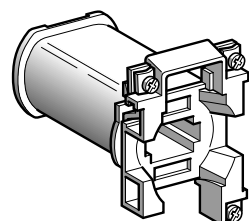
- (1) The last 2 digits of the reference represent the voltage code.
 (2) For use on 230 V 50 Hz, apply a multiplying factor of 0.6 to the mechanical life of the contactor. This coil can be used on 240 V at 60 Hz.
 (3) This coil can be used on 220/240 V at 50 Hz and at 240 V only at 60 Hz.
 (4) For use on 400 V 50 Hz, apply a multiplying factor of 0.6 to the mechanical life of the contactor.

Contactors

d 3 and 4-pole contactors type LP1-D (9 to 95 A)
d.c. coils



References



LX4-D2●●

Control circuit voltage Uc	Average resistance at 20 °C ± 10 %	Inductance of closed circuit	Voltage code	Reference	Weight
V	Ω	H			kg

For contactors LP1-D09, D12, D18

12	17	0.79	JD	LX4-D2JD	0.175
21 (1)	45.4	2.16	ZD	LX4-D2ZD	0.175
24	71	3.1	BD	LX4-D2BD	0.175
36	149.7	7.1	CD	LX4-D2CD	0.175
48	267	11.9	ED	LX4-D2ED	0.175
60	422	19	ND	LX4-D2ND	0.175
72	609	26	SD	LX4-D2SD	0.175
110	1411	61.8	FD	LX4-D2FD	0.175
125	1781	77.8	GD	LX4-D2GD	0.175
220	5235	221	MD	LX4-D2MD	0.175
250	6433	271	UD	LX4-D2UD	0.175
440	19 785	793	RD	LX4-D2RD	0.175
600	38 982	1393	XD	LX4-D2XD	0.175

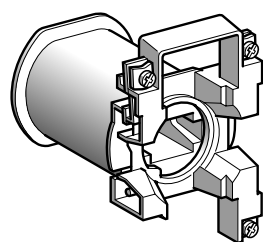
Specifications

Average consumption : 9 W.

Operating range ($\theta \leq 55\text{ °C}$): 0.8...1.1 Uc.

Control circuit voltage Uc	Average resistance at 20 °C ± 10 %	Inductance of closed circuit	Voltage code	Reference	Weight
V	Ω	H			kg

For contactors LP1-D25, D32



LX4-D4●●

12	13.3	0.73	JD	LX4-D4JD	0.265
21 (1)	36.4	2.11	ZD	LX4-D4ZD	0.265
24	53	2.92	BD	LX4-D4BD	0.265
36	120.3	7.17	CD	LX4-D4CD	0.265
48	211	11.3	ED	LX4-D4ED	0.265
60	331	17.8	ND	LX4-D4ND	0.265
72	473	27.5	SD	LX4-D4SD	0.265
110	1122	63.6	FD	LX4-D4FD	0.265
125	1431	81	GD	LX4-D4GD	0.265
220	4461	237	MD	LX4-D4MD	0.265
250	6044	338	UD	LX4-D4UD	0.265
440	17 450	932	RD	LX4-D4RD	0.265
600	33 610	1706	XD	LX4-D4XD	0.265

Specifications

Average consumption : 11 W.

Operating range ($\theta \leq 55\text{ °C}$): 0.8...1.1 Uc.

(1) Voltage for special coils fitted in contactors with serial timer modules, with 24 V supply.

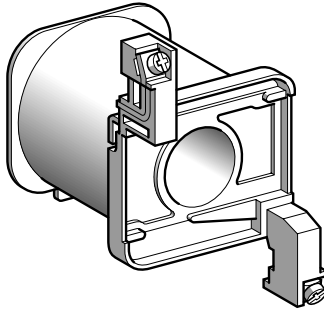
Contactors

d 3 and 4-pole contactors type LP1-D (9 to 95 A)
d.c. coils



References

1



LX4-D6●●

Control circuit voltage Uc	Average resistance at 20 °C ± 10 %	Inductance of closed circuit	Voltage code	Reference	Weight
V	Ω	H			kg

For contactors LP1-D40, D50, D65

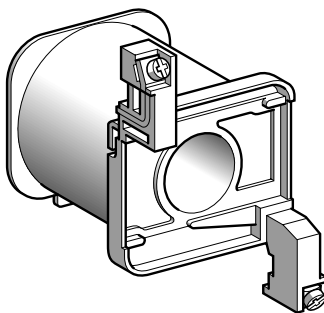
12	7.1	0.44	JD	LX4-D6JD	0.415
24	26.8	1.69	BD	LX4-D6BD	0.415
36	58	3.55	CD	LX4-D6CD	0.415
48	109	6.86	ED	LX4-D6ED	0.415
60	173	10.9	ND	LX4-D6ND	0.415
72	234	14.7	SD	LX4-D6SD	0.415
110	560	35.28	FD	LX4-D6FD	0.415
125	717	45.2	GD	LX4-D6GD	0.415
220	2255	142	MD	LX4-D6MD	0.415
250	2940	185	UD	LX4-D6UD	0.415
440	9080	572	RD	LX4-D6RD	0.415
600	17 230	1085	XD	LX4-D6XD	0.415

Specifications

Average consumption : 22 W.
Operating range : 0.85...1.1 Uc.

Control circuit voltage Uc	Average resistance at 20 °C ± 10 %	Inductance of closed circuit	Voltage code	Reference	Weight
V	Ω	H			kg

For contactors LP1-D80



LX4-D7●●

12	6.6	0.46	JD	LX4-D7JD	0.680
24	27	1.89	BD	LX4-D7BD	0.680
36	57	4	CD	LX4-D7CD	0.680
48	107	7.5	ED	LX4-D7ED	0.680
60	170	11.9	ND	LX4-D7ND	0.680
72	230	16.1	SD	LX4-D7SD	0.680
110	564	39.5	FD	LX4-D7FD	0.680
125	718	50.3	GD	LX4-D7GD	0.680
220	2215	155	MD	LX4-D7MD	0.680
250	2850	200	UD	LX4-D7UD	0.680
440	9195	640	RD	LX4-D7RD	0.680
600	17 425	1220	XD	LX4-D7XD	0.680

Specifications

Average consumption : 22 W.
Operating range : 0.85...1.1 Uc.

Contactors

d 3 and 4-pole contactors type LP1-D (9 to 95 A)
Wide range d.c. coils for specific applications



References

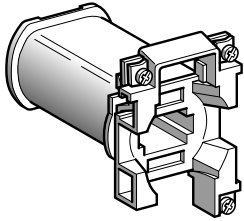
Control circuit voltage Uc	Average resistance at 20 °C ± 10 %	Inductance of closed circuit	Voltage code	Reference	Weight
V	Ω	H			kg

For contactors LP1-D09, D12, D18

12	15.6	0.71	JW	LX4-D2JW	0.175
24	58.7	2.49	BW	LX4-D2BW	0.175
36	122.6	5.3	CW	LX4-D2CW	0.175
48	234	9.9	EW	LX4-D2EW	0.175
72	530	21.4	SW	LX4-D2SW	0.175
110	1105	44.4	FW	LX4-D2FW	0.175
220	4593	185	MW	LX4-D2MW	0.175

Specifications

Average consumption : 11 W.
Operating range : 0.7...1.25 Uc.
Coils with "TH" treatment as standard.



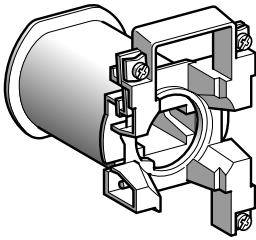
LX4-D2●●

For contactors LP1-D25, D32

12	12.3	0.68	JW	LX4-D4JW	0.265
24	49.2	2.71	BW	LX4-D4BW	0.265
36	100.7	5.57	CW	LX4-D4CW	0.265
48	199	10.8	EW	LX4-D4EW	0.265
72	404	22.3	SW	LX4-D4SW	0.265
110	944	51	FW	LX4-D4FW	0.265
220	3953	208	MW	LX4-D4MW	0.265

Specifications

Average consumption : 13 W.
Operating range : 0.7...1.25 Uc.
Coils with "TH" treatment as standard.



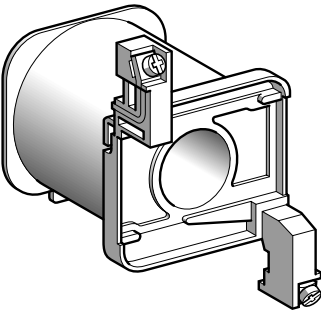
LX4-D4●●

For contactors LP1-D40, D50, D65

12	6.8	0.45	JW	LX4-D6JW	0.415
24	30	1.9	BW	LX4-D6BW	0.415
36	53	3.5	CW	LX4-D6CW	0.415
48	110	7.2	EW	LX4-D6EW	0.415
72	215	14.2	SW	LX4-D6SW	0.415
110	580	38.3	FW	LX4-D6FW	0.415
220	2120	140	MW	LX4-D6MW	0.415

Specifications

Average consumption : 22 W.
Operating range : 0.75...1.2 Uc.
Coils with "TH" treatment as standard.



LX4-D6●●

For contactors LP1-D80

12	6.2	0.49	JW	LX4-D7JW	0.680
24	23.5	1.75	BW	LX4-D7BW	0.680
36	51.9	4.18	CW	LX4-D7CW	0.680
48	94.2	7	EW	LX4-D7EW	0.680
72	204	15.7	SW	LX4-D7SW	0.680
110	483	36	FW	LX4-D7FW	0.680
220	1922	144	MW	LX4-D7MW	0.680

Specifications

Average consumption : 23 W.
Operating range : 0.75...1.2 Uc.
Coils with "TH" treatment as standard.