

DURACELL®

Rechargeable

DX2400

Size: AAA 950 mAh (HR3)

Rechargeable NiMH Battery

NiMH

Technical Specifications

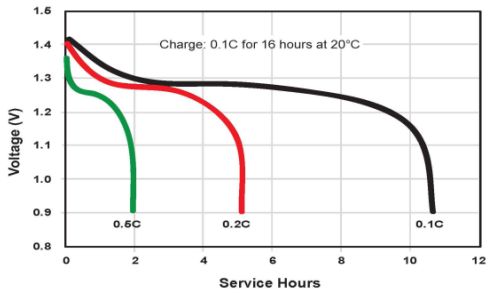


Classification:	Cylindrical Rechargeable
Chemical system	Nickel Metal Hydride (Ni-MH)
Designation:	IEC – HR3
Nominal Voltage:	1.2V
Operating Voltage:	1.0V-1.35V
Operating temp:	-10°C to 50°C
Storage Temp:	5°C – 30°C
Typical weight:	12.8g
Typical Volume:	3.5 cubic centimeters
Typical Impedance:	30 milliohm @ 1 khz
Rated Capacity:	950 mAh
Safety Features:	Pressure released resettable vent

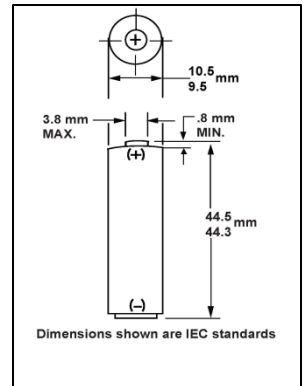
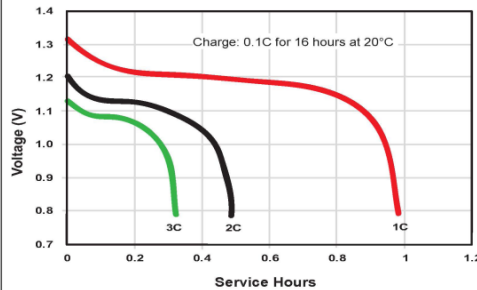
BENEFITS

- 1 charge = 55 hours in wireless mouse
- 1 charge = 9 hours in gaming controller
- 1 charge = 300 pictures

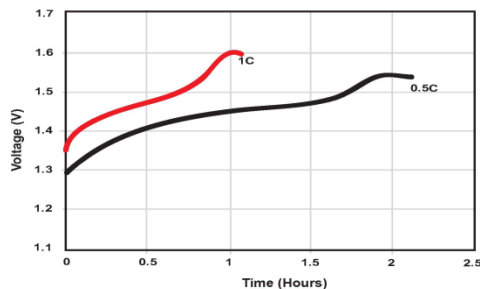
Low Rate Discharge



High Rate Discharge



Fast Charge (Charge control required)



DURACELL®
BATTERIES

Berkshire Corporate Park
Bethel, CT 06801 U.S.A.
Tel: Toll free 1.800.544.5454
Web: www.duracell.com

*When not in use.

Information and contents in this data sheet are for reference purposes only. They do not constitute any warranty and representation is subject to change without notice. For most current information and further details, please contact Duracell.

Document #: CH-A