

Data Cable, 25 Conductor DB25P Male to Female



Specifications

1. Molded connector end requirements :

- A) Inner mold using PE
- B) Aluminum foil wrap to connector
- C) PVC - 45P, Platinum gray

2. Cable :

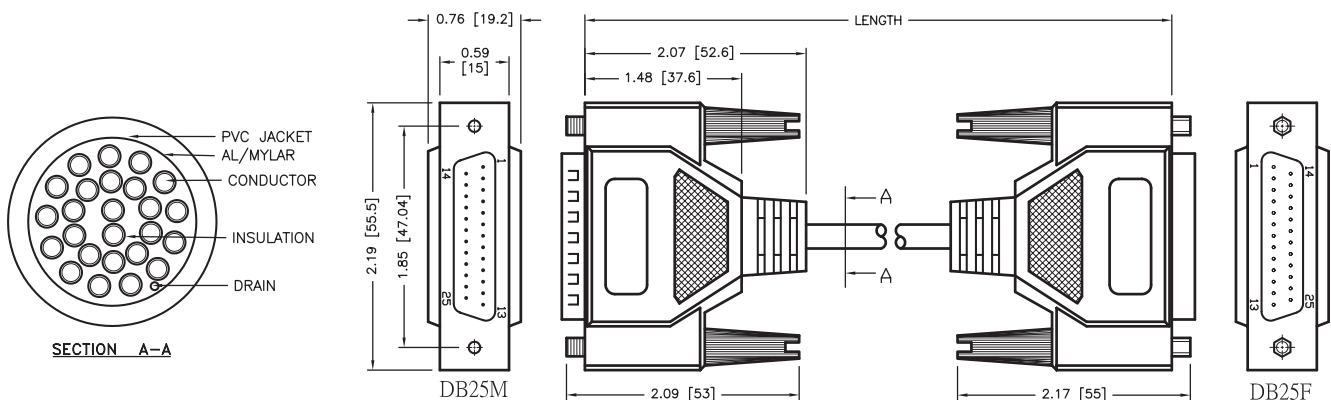
- [28AWG (7/0.12) * 25C + AL/MY + DW (7/0.16)] TIN Insulation : PP, OD = $\varnothing 0.78 \pm 0.03\text{mm}$
- Colour : Colour Code
- Jacket : PVC, OD = $\varnothing 7.0 \pm 0.15\text{mm}$
- Colour : Platinum gray

3. Thumbscrew : Male 4mm × 47mm, Nickel plating

4. Connectors : DB25P Male, Nickel plating, Insulator Colour : Blue

5. Connectors : DB25P Female, Nickel plating, Insulator Colour : Blue

6. (Screw) Nut : 4.75mm × 6mm Nickel plating



Dimensions : Inches (Millimeters)



Data Cable, 25 Conductor

DB25P Male to Female



Pin Outs								
DB25 Male	Wire Color	DB25 Female	DB25 Male	Wire Color	DB25 Female	DB25 Male	Wire Color	DB25 Female
1	Black	1	10	Gray	10	19	Light-Green	19
2	Brown	2	11	Black / White	11	20	Pink	20
3	Red	3	12	Brown/White	12	21	Pink/Black	21
4	Orange	4	13	Red/White	13	22	Gray/Black	22
5	Yellow	5	14	Orange/White	14	23	Orange/Black	23
6	Green	6	15	Yellow/Black	15	24	Red/Black	24
7	Blue	7	16	Green/White	16	25	Green/Black	25
8	Purple	8	17	Blue/White	17	Shell		Shell
9	White	9	18	Purple/White	18			

Part Number Table

Description	LENGTH (L)	Part Number
Data Cable, 25 Conductor, DB25P Male to Female	72 ± 1 [1,829 ± 25.4]	SPC19934
	120 ± 2 [3,048 ± 50.8]	SPC19928
	300 ± 3 [7,625 ± 76.2]	SPC19931

Important Notice : This data sheet and its contents (the "Information") belong to the members of the Premier Farnell group of companies (the "Group") or are licensed to it. No licence is granted for the use of it other than for information purposes in connection with the products to which it relates. No licence of any intellectual property rights is granted. The Information is subject to change without notice and replaces all data sheets previously supplied. The Information supplied is believed to be accurate but the Group assumes no responsibility for its accuracy or completeness, any error in or omission from it or for any use made of it. Users of this data sheet should check for themselves the Information and the suitability of the products for their purpose and not make any assumptions based on information included or omitted. Liability for loss or damage resulting from any reliance on the Information or use of it (including liability resulting from negligence or where the Group was aware of the possibility of such loss or damage arising) is excluded. This will not operate to limit or restrict the Group's liability for death or personal injury resulting from its negligence. Multicomp is the registered trademark of the Group. © Premier Farnell plc 2012.