



WV108-2000 (non-latching)  
WV108-2001 (latching)

# ULTRA SLIMPAK® II WV108

## DC Powered DC Input Limit Alarm

Provides Relay Contact Closures  
at a Preset DC Input Level



- Programmable HI or LO, Failsafe or Non-failsafe
- Improved Accuracy
- 24VDC Transducer Excitation
- Bussed Power with Plug-in Power Clips
- Removable Terminals for Easy Service

- Touch Cal for Best Stability and Accuracy
- RoHS Compliant
- Adjustable Deadband
- LED Trip and Input Indicators
- Optional E-mail Notification of Alarms

### Description

The Ultra SlimPak II is an exciting new line of isolating signal conditioners from Action Instruments with greater accuracy and better stability than virtually any other signal conditioners on the market today.

The WV108 is a DC Voltage or Current Input Limit Alarm with dual setpoints and two contact closure outputs. The input type and alarm functions are field configurable, offering maximum flexibility. There are five input voltage ranges between  $\pm 20\text{mV}$  and  $\pm 200\text{V}$ , and two current input ranges,  $\pm 10\text{mA}$  and  $\pm 100\text{mA}$ . Alarm setpoints are fully adjustable throughout the entire range.

The WV108-2000 contains two standard non-latching SPDT relays. When power is removed, the relays revert to their non-powered state. The WV108-2001 contains two latching relays. Whatever position the relays are in when power is removed is where they will remain when power is re-applied (a reset switch is provided to reset the relays after the alarm is no longer true). Both models are configurable as a single or dual setpoint alarm, with HI or LO trips. The WV108-2000 supports failsafe or non-failsafe operation. In failsafe operation the relay coil is energized when the process is below the HI setpoint or above the LO setpoint (opposite for non-failsafe). In the failsafe mode, a power failure results in an alarm state output.

### Operation

Each of the alarm setpoints has a respective HI or LO deadband. Red LEDs will illuminate indicating an alarm condition. The trip will reset only when the process falls below the HI deadband or rises above the LO deadband. (The WV108-2001 requires pressing the reset switch in order to reset the relays after being tripped.) The deadband can be left at the minimum level (the factory default) or can be set to whatever level is desired.

### Options

**C620** Factory calibration of input range, setpoints and output relays.

### Enhanced LED Diagnostics

Other than when executing the pushbutton calibration routine, the LEDs blink under the following conditions:

#### RUN (Green):

- On when unit is powered.
- Flashes at 2Hz when input is under range.
- Flashes at 8Hz when input is over range.

#### SETPOINT A (Red):

- On when Setpoint A is tripped.
- On when setting Setpoint A.
- Flashes while calibrating the input level.

#### SETPOINT B (Red):

- On when Setpoint B is tripped.
- On when setting Setpoint B.
- On while calibrating the input level.

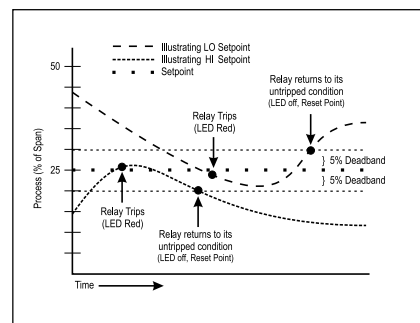


Figure 1: Limit alarm operation and effect of deadband.

An Under Range condition exists when the signal is lower than the operational low value minus 6.25% of the operational span. An Over Range condition exists when the signal is higher than the operational high value plus 6.25% of the operational span.

## Configuring Modules

Unless otherwise specified, the factory presets the Model WV108 as follows:

Input: Current  
 Range:  $\pm 100\text{mA}$   
 Output: Dual, SPDT  
 Trip: A: HI, B: LO  
 Failsafe: No  
 Deadband: A, B: minimum  
 Remote Cal: No

1. For other ranges, refer to the SWITCH SETTINGS table (see Figure 4). Reconfigure switches S1 and S2 for the desired input type and range.
2. Set position 1 of S1 to ON if a WVC16 will be utilized and remote calibration capability is desired.
3. Set position 2 and 3 of S1 to ON for a Hi trip setpoint or to OFF for a Low trip setpoint.
4. Set position 4 of S1 to ON for failsafe operation (e.g. alarm trips upon power failure) or OFF for non-failsafe operation (-2000 only).

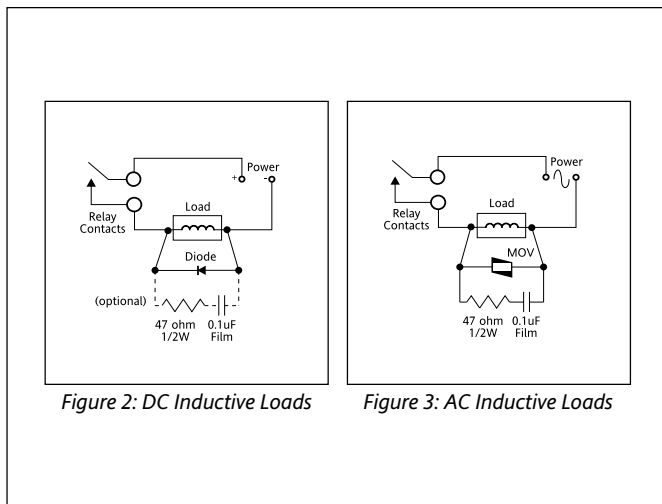
It is also possible to remotely select the setpoints using an Ethernet connection and the optional WVC16 WebView Communications Interface module.

## 24VDC Transducer Excitation

The 24VDC source, which is isolated from line power, is used for transducer excitation. Typical connections for voltage and current are shown in Figure 5.

## Relay Protection and EMI Suppression

When switching inductive loads, maximum relay life and transient EMI suppression is achieved using external protection (see Figures 2 & 3). Place all protection devices directly across the load and minimize all lead lengths. For AC inductive loads, place a properly-rated MOV across the load in parallel with a series RC snubber. Use a 0.01 to 0.1mF pulse film capacitor (foil polypropylene recommended) of sufficient voltage, and a 47ohm, 1/2W carbon resistor. For DC inductive loads, place a diode across the load (PRV > DC supply, 1N4006 recommended) with (+) to cathode and (-) to anode (the RC snubber is an optional enhancement).



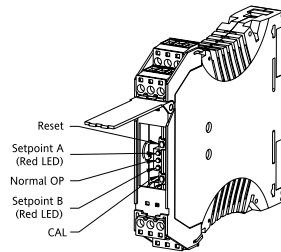
## Calibration

See the calibration flowchart in Figure 7. The complete calibration procedure is contained in the Installation & Calibration Instructions document, which is available on our website ([www.actionio.com](http://www.actionio.com)). You can also obtain it by telephoning Action technical support (703-669-1318).

Note that Custom Calibration (option C620) is available from the factory (settings **MUST** be within the units specifications). For a C620, specify the following:

- a) Input Type (mA, mV, V).
- b) Setpoint A trip point and reset point.
- c) Setpoint B trip point and reset point.
- d) Failsafe (ON/OFF).

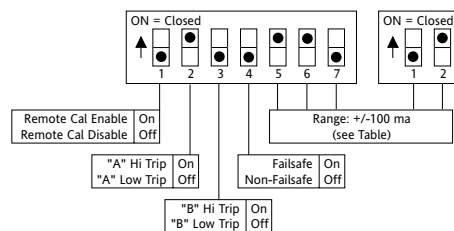
Note that if a deadband entry is not specified, the default setting of 0.25% will be used.



Function	S1							S2	
	1	2	3	4	5	6	7	1	2
<b>Voltage Input</b>									
+/-20mV	-	-	-	-	■	■	■	■	■
+/-200mV	-	-	-	-	■	■	■	■	■
+/-2V	-	-	-	-	■	■	■	■	■
+/-20V	-	-	-	-	■	■	■	■	■
+/-200V	-	-	-	-	■	■	■	■	■
<b>Current Input</b>									
+/-10mA	-	-	-	-	■	■	■	■	■
+/-100mA	-	-	-	-	■	■	■	■	■
<b>Remote Cal Enable</b>									
A Hi/Low (Hi)	-	■	-	-	-	-	-	-	-
B Hi/Low (Hi)	-	■	-	-	-	-	-	-	-
Failsafe	-	-	-	■	-	-	-	-	-

Key: ■ = 1 = ON or Closed; - = n/a

Figure 4: Switch Settings



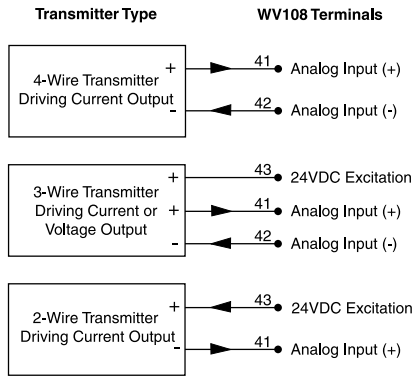
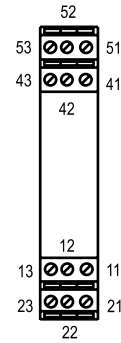
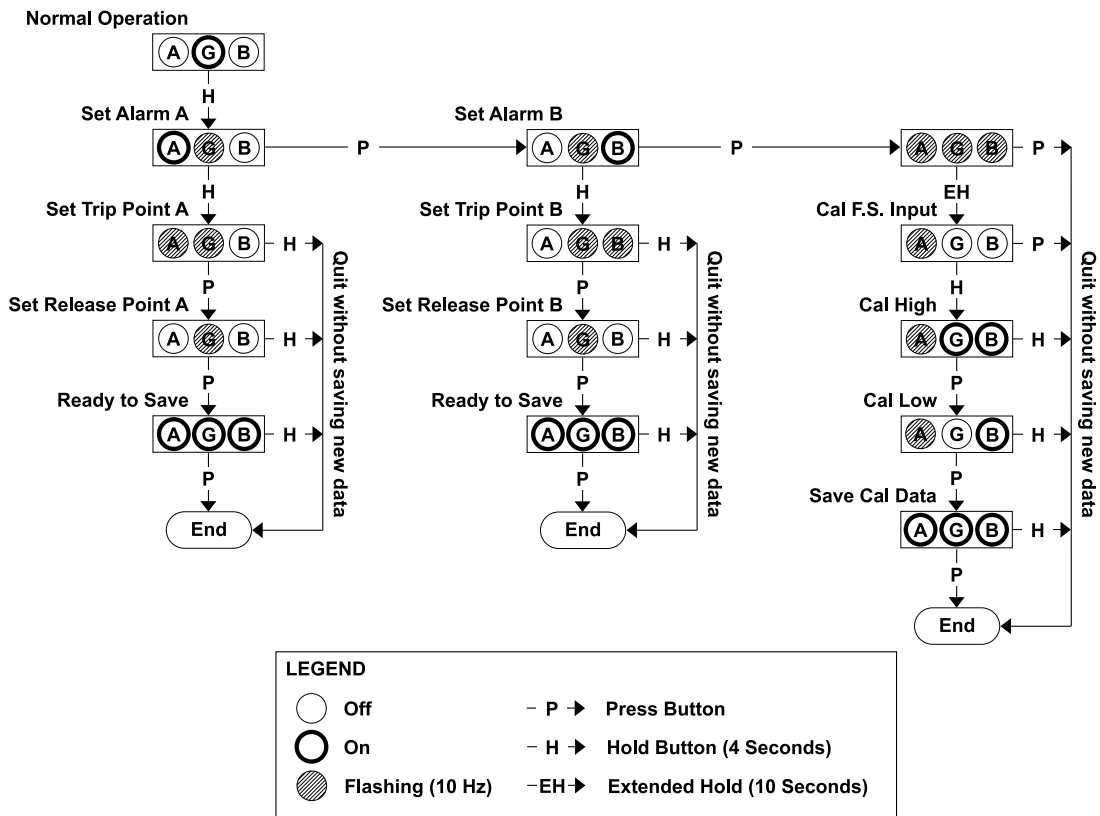


Figure 5: Typical Connections



Pin	Description
11	N.O. Relay B
12	Com. Relay B
13	N.C. Relay B
21	DC Power (+)
22	DC Power (-)
23	No Connection
41	Analog Input (+)
42	Analog Input (-)
43	24VDC Excitation (+)
51	N.O. Relay A
52	Com. Relay A
53	N.C. Relay A

Figure 6: Wiring Connections



**NOTE:**  
 To reload factory calibration data, hold down the button while the unit powers up. The green LED will flash 10 times and then the red LED will begin to flash. Release the button once the red LED begins flashing and the factory calibration data will be reloaded.

Figure 7: Calibration Flowchart

## Specifications

### Inputs:

Voltage Input Ranges:  $\pm 20\text{mV}$ ,  $\pm 200\text{mV}$ ,  $\pm 2\text{V}$ ,  $\pm 20\text{V}$  &  $\pm 200\text{V}$   
Impedance:  $>100\text{k ohms}$   
Overvoltage:  $200\text{Vrms}$ , max.  
Current Input Range:  $\pm 10\text{mA}$  &  $\pm 100\text{mA}$   
Impedance:  $20\text{ ohms}$ , typical  
Overcurrent:  $170\text{mA rms}$ , max  
Overvoltage:  $60\text{VDC}$

### Minimum Deadband:

Range	Deadband
$\pm 20\text{mV}$	0.2% (80 microvolts)
$\pm 200\text{mV}$	0.2% (800 microvolts)
$\pm 2\text{V}$	0.1% (40mV)
$\pm 20\text{V}$	0.1% (40mV)
$\pm 200\text{V}$	0.025% (100mV)
$\pm 10\text{mA}$	0.1% (20 microamps)
$\pm 100\text{mA}$	0.025% (50 microamps)

### Response Time:

Dynamic Deadband: Relay status will change when proper setpoint/process condition exists for 100mSec or greater  
Normal Mode:  $<250\text{mSec}$  (analog filtering)

### Setpoint:

Effectivity: Setpoints are adjustable (by pushbutton) over 100% of the selected input span

### Repeatability:

$>200\text{mV}/10\text{mA}$ : 0.1% of full scale (constant temperature)  
 $<200\text{mV}/10\text{mA}$ : 0.2% of full scale

### Relay Contacts:

2 SPDT (2 form C) Relays  
1 relay per setpoint  
Current rating (general use)  
 $120\text{VAC}$ : 5A;  $240\text{VAC}$ : 2A;  $28\text{VDC}$ : 5A

**Material:** Gold flash over silver alloy

**Electrical Life:**  $10^5$  operations

**Reset Switch:** For unlatching the relay once the process is no longer in the alarm state (WV108-2001 only).

**Local Range Selection:** By DIP switch

**Stability:**  $\pm 100\text{ppm}$  of FS/ $^{\circ}\text{C}$

**Common Mode Rejection:** 120dB @ DC,  $>90\text{dB}$  @ 60Hz, or better

**Isolation:** 1800VDC or peak AC between contacts, input & power

**ESD Susceptibility:** Capable of meeting IEC 801-2 level 3 (8kV)

**Humidity:** Operating: 15 to 95% RH non-condensing @  $45^{\circ}\text{C}$   
Soak: 90% RH non-condensing for 24hrs @  $60^{\circ}\text{C}$

**Temperature:** Operating: 0 to  $60^{\circ}\text{C}$   
Storage:  $-25$  to  $+85^{\circ}\text{C}$

**Power:** 9 to 30VDC; 1.2W typ., (2.2W max. with both relays energized)

**Excitation Voltage:** 24VDC @ 20mA

**Host Module Interface:** IR link

**Size:** DIN rail case – refer to Dimensions drawing

### Environmental:

Operating Temperature:  $0^{\circ}\text{C}$  to  $+60^{\circ}\text{C}$  (32 to  $140^{\circ}\text{F}$ )

Storage Temperature:  $-25^{\circ}\text{C}$  to  $+85^{\circ}\text{C}$  (-13 to  $185^{\circ}\text{F}$ )

Operating Humidity (non-condensing): 15% to 95%RH @  $45^{\circ}\text{C}$

Storage Humidity (non-condensing): 90%RH @  $60^{\circ}\text{C}$  for 24 hrs

### Agency Approvals EMC & Safety:

CE: EN61326, EN61010-1

UL and CSA Combined mark

RoHS compliant

Note that detailed installation instructions are available on our website.

## Ordering Information

### Specify:

- Model: **WV108-2000** (non-latching) or **WV108-2001** (latching)
- Optional Custom Factory Calibration (specify **C620**, see required settings under "Calibration, page 2).
- Accessories.

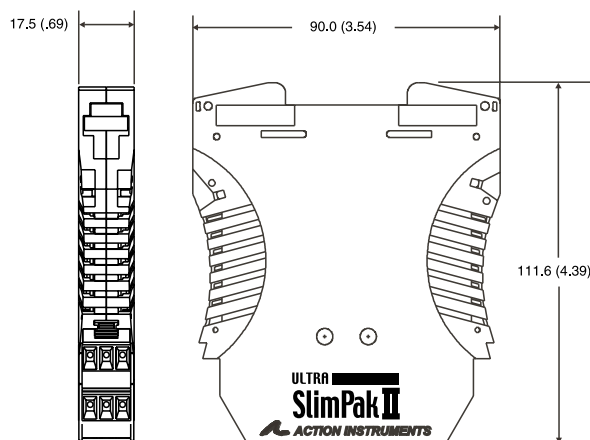
### Accessories

All WV Series modules will mount on standard TS35 (model MD03) DIN rail. In addition, the following accessories are available:

<b>WVC16</b>	Communications Interface
<b>MD03</b>	TS35 x 7.5 DIN Rail (2 meters)
<b>WV905</b>	24VDC Power Supply (0.5 Amp)
<b>H910</b>	24VDC Power Supply (1 Amp)
<b>H915</b>	24VDC Power Supply (2.3 Amp)
<b>MB03</b>	End Bracket for MD03
<b>C650</b>	Utility software for WVC16

## Dimensions

Dimensions are in millimeters (inches)



## Eurotherm, Inc

741-F Miller Drive  
Leesburg, VA 20175-8993  
703-443-0000

info@eurotherm.com or www.eurotherm.com/actionio

## Factory Assistance

For additional information on calibration, operation and installation contact our Technical Services Group:

**703-669-1318**

actionsupport@eurotherm.com

721-0860-00-C 09/06 Copyright© Eurotherm, Inc 2006

Action Instruments

Barber-Colman

Chessell

Continental

Eurotherm