
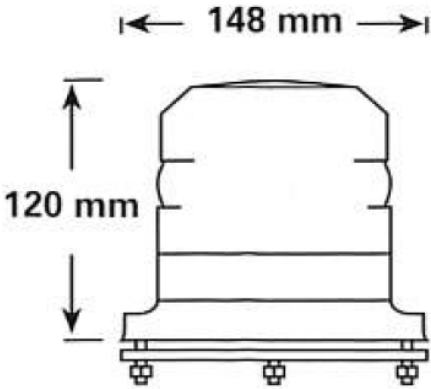
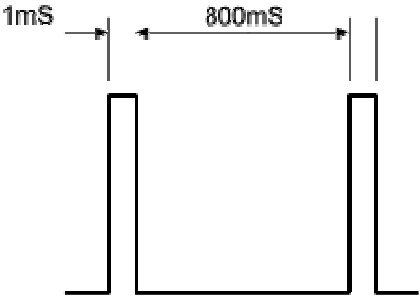


Product Details			
Model Name	Alpha Star	ECCO Group Europe Part Number	42001202
Internal ERP Description	DEL RB4XDV/2 ALPHA A		
Product Type	Xenon Beacon	Application	Industrial
Product Image – Amber beacon only shown		Product Dimensions	
			

Electrical Characteristics			
Input Voltage	10-100V DC, 20-72V AC	Input current	300mA @ 12V DC, 120mA @ 24V DC 77mA @ 48V DC, 66mA @ 60V DC 270mA @ 30V AC, 110mA @ 60V AC
Frequency	75 FPM	Light Source	Non-replaceable
Flash Mode	Single flash	Flash Pattern	N/A
Technology	Xenon	Power rating	2 W
		Estimated Tube Life	3,000 Hours
Other features	Reverse polarity protection		

Photometric Characteristics	
Colour	Amber
Max intensity at HV0	15cd
Min intensity	N/A
Timing Diagram	
	

Enclosure			
IP rating	IP 67	Fixing centres	3-Bolt Fixing
Cable exit	Base of Beacon (Centre)	Fastening hardware	3 x M6 Screws
Cable dimensions	2 x 0.75mm ²	Packaging	Windowed Carton 152x147x132mm
Recommended Mounting	Upright or 90°	Max Fastening Torque	5 N/m
Weight (unboxed)	255g	Weight (boxed)	355g

Approvals and Certifications			
EMC	UN ECE R10-03 6101	WEEE	Yes (marking only for own brand products)
CE	Yes	RoHS	Yes