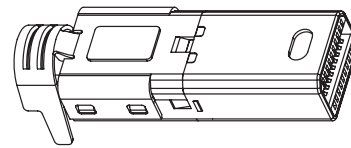


Mini DP Plug Solder

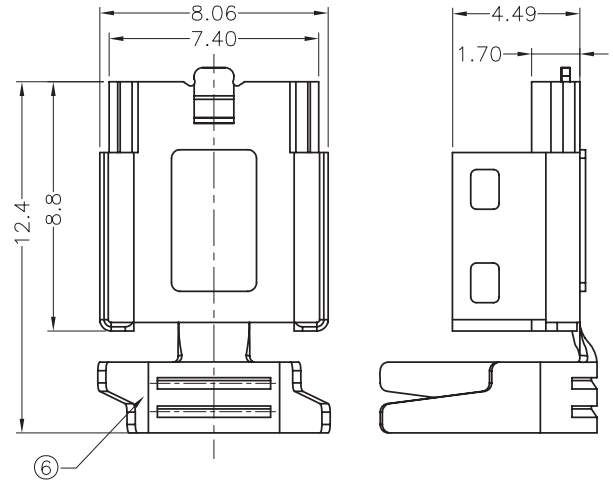
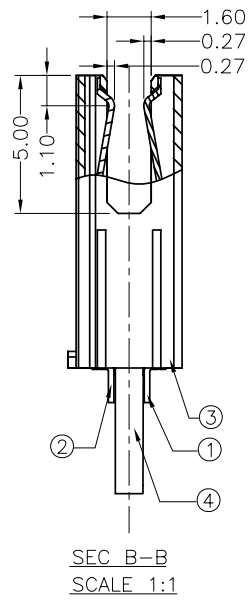
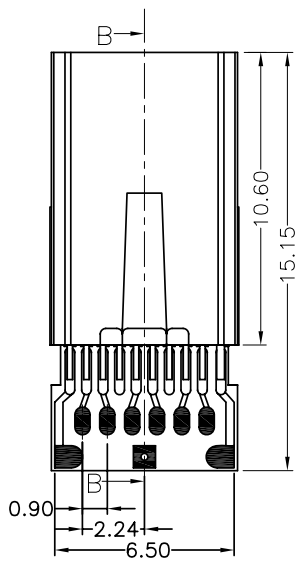
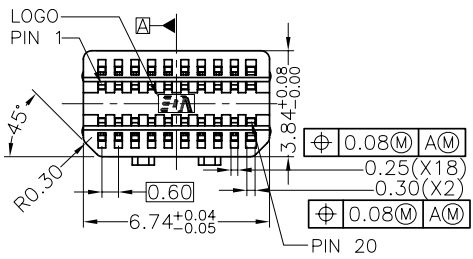


Specifications:

Connector Type	: Display Port
Gender	: Plug
No. of Contacts	: 20
Contact Termination	: Solder



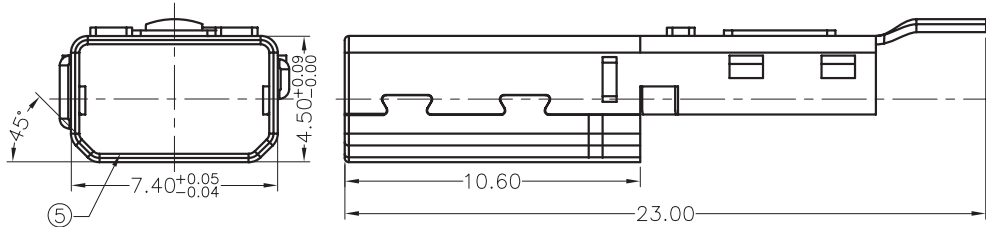
Without Cable Connector 3D



Dimensions : Millimetres



Mini DP Plug Solder



Dimensions : Millimetres

Item	Part Name	Q'ty/EA	Materials	Note
①	Contact 1	1	Copper Alloy	Gold, or Nickel Plating
②	Contact 2	1	Copper Alloy	Gold, or Nickel Plating
③	3	Housing	1	PA46
④	PCB	1	RF-4	
⑤	Front Shell	1	Brass	Cu all over. Plated over Nickel
⑥	Back Sheel	1	SPCC	Cu all over. Plated over Nickel

Part Number Table

Description	Part Number
Plug, Mini-Displayport, Solder	64S020P-321N-B

Important Notice : This data sheet and its contents (the "Information") belong to the members of the Premier Farnell group of companies (the "Group") or are licensed to it. No licence is granted for the use of it other than for information purposes in connection with the products to which it relates. No licence of any intellectual property rights is granted. The Information is subject to change without notice and replaces all data sheets previously supplied. The Information supplied is believed to be accurate but the Group assumes no responsibility for its accuracy or completeness, any error in or omission from it or for any use made of it. Users of this data sheet should check for themselves the Information and the suitability of the products for their purpose and not make any assumptions based on information included or omitted. Liability for loss or damage resulting from any reliance on the Information or use of it (including liability resulting from negligence or where the Group was aware of the possibility of such loss or damage arising) is excluded. This will not operate to limit or restrict the Group's liability for death or personal injury resulting from its negligence. Multicomp is the registered trademark of the Group. © Premier Farnell plc 2012.

www.element14.com
www.farnell.com
www.newark.com

