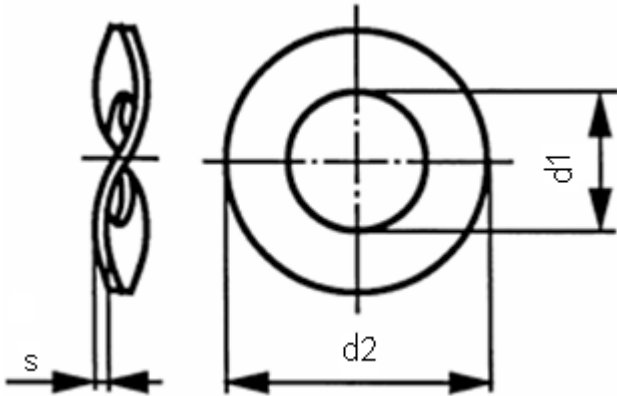


Crinkle Washers



Features:

- Excellent anti-corrosion properties
- High resistance to permanent set under compression
- Ideal for use as vibration-proof locking washers
- Does not mark or damage panel surfaces



Dimensions : Millimetres

Specifications:

Material : Stainless steel A2
 Dimensions : 137B

Technical Data

For Nominal Size	d1	d2	s	Part Number
M2	2.2	5	0.5	D00822
M2.5	2.7	6		D00823
M3	3.2	8		D00824
M3.5	3.8			D00825
M4	4.3	9		D00826
M5	5.3	11		D00827
M6	6.4	12		D00828
M8	8.4	15	0.8	D00829

Dimensions : Millimetres

Important Notice : This data sheet and its contents (the "Information") belong to the members of the Premier Farnell group of companies (the "Group") or are licensed to it. No licence is granted for the use of it other than for information purposes in connection with the products to which it relates. No licence of any intellectual property rights is granted. The Information is subject to change without notice and replaces all data sheets previously supplied. The Information supplied is believed to be accurate but the Group assumes no responsibility for its accuracy or completeness, any error in or omission from it or for any use made of it. Users of this data sheet should check for themselves the Information and the suitability of the products for their purpose and not make any assumptions based on information included or omitted. Liability for loss or damage resulting from any reliance on the Information or use of it (including liability resulting from negligence or where the Group was aware of the possibility of such loss or damage arising) is excluded. This will not operate to limit or restrict the Group's liability for death or personal injury resulting from its negligence. DURATOOL is the registered trademark of the Group. © Premier Farnell plc 2012.