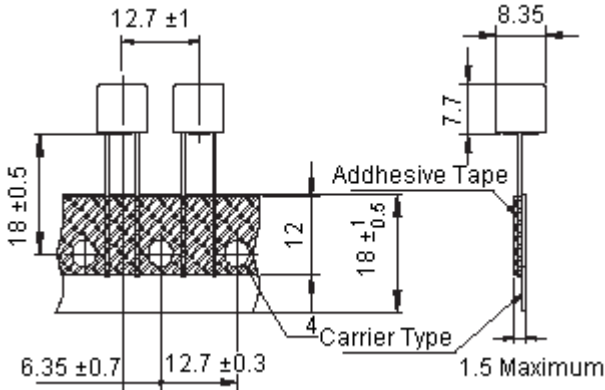
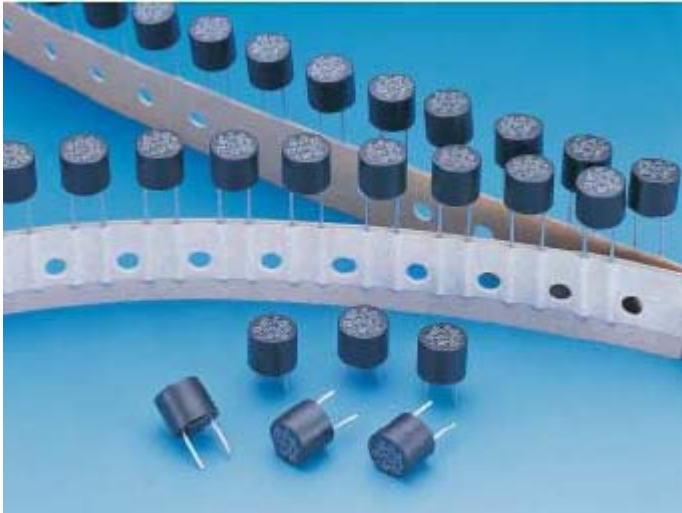


Radial Lead Fuses

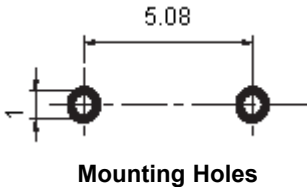
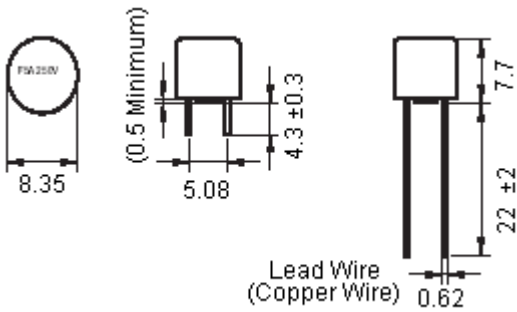


Round - Fast Acting



Short Leads

Long Leads



Dimensions : Millimetres

Electrical Characteristics

Rated Current	1.5 Inches	2.1 Inches	2.75 Inches		4 Inches		10 Inches
	Minimum	Maximum	Minimum	Maximum	Minimum	Maximum	Maximum
50 mA to 5 A	60 Minutes	30 Minutes	10 ms	3 Seconds	3 ms	300 ms	20 ms
6.3 A				5 Seconds			



Radial Lead Fuses



Round - Fast Acting

Interrupting Ratings

35 A or 10 × rated current ; whichever is greater at 250 V ac

Environmental Specifications:

Operating Temperature	: -55°C to +125°C
Shock	: MIL-STD-202, method 213, condition 1 (saw tooth)
Vibration	: MIL-STD-202, method 201 (10 - 55 Hz × 3 axis / no load)
Salt Spray	: MIL-STD-202, method 101, test condition B (48 hours)
Minimum Insulation Resistance	: MIL-STD-202, method 302, test condition A (after opening) 10,000 Ω
Resistance to Solder Heat	: MIL-STD-202, method 210, test condition F (10 seconds at 260°C)
Thermal Shock	: MIL-STD-202, method 107, test condition B (-65°C to +125°C)

Physical Specifications:

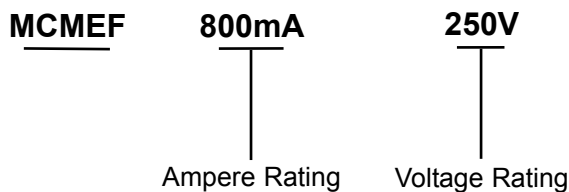
Materials

Base and Cap : Black Thermoplastic
Pin : Tin-lead Plated Alloy

Specification Table

Ampere Rating (In)	Voltage Rating (V)	Nominal Resistance Cold Ω	Maximum Voltage Drop (mV)	Nominal Melting I ² t A ² Seconds	Part Number
800 mA	250	0.072	130	0.192	MCMEF 800MA 250V
1 A		0.052	120	0.3	MCMEF 1A 250V
1.25 A		0.043		0.4687	MCMEF 1.25A 250V
1.6 A		0.031	110	0.896	MCMEF 1.6A 250V
2 A		0.026		1.2	MCMEF 2A 250V
2.5 A		0.019	100	2.5	MCMEF 2.5A 250V
3.15 A		0.014		3.969	MCMEF 3.15A 250V
4 A		0.011		7.2	MCMEF 4A 250V
5 A		0.0083		15	MCMEF 5A 250V
6.3 A		0.0061	80	47.628	MCMEF 6.3A 250V

Part Number Explanation:



Ampere Rating : 800mA, 1A, 1.25A, 1.6A, 2A, 2.5A, 3.15A, 4A, 5A and 6.3A

Important Notice : This data sheet and its contents (the "Information") belong to the members of the Premier Farnell group of companies (the "Group") or are licensed to it. No licence is granted for the use of it other than for information purposes in connection with the products to which it relates. No licence of any intellectual property rights is granted. The Information is subject to change without notice and replaces all data sheets previously supplied. The Information supplied is believed to be accurate but the Group assumes no responsibility for its accuracy or completeness, any error in or omission from it or for any use made of it. Users of this data sheet should check for themselves the Information and the suitability of the products for their purpose and not make any assumptions based on information included or omitted. Liability for loss or damage resulting from any reliance on the Information or use of it (including liability resulting from negligence or where the Group was aware of the possibility of such loss or damage arising) is excluded. This will not operate to limit or restrict the Group's liability for death or personal injury resulting from its negligence. Multicomp is the registered trademark of the Group. © Premier Farnell plc 2012.