

Din / Chassis Mount Brackets



These special mounting brackets have been developed to accept a wide range of standard DC DC converters for applications requiring either Din Rail or Chassis mounting where a bespoke circuit board is not available. All units come complete with input and output terminals and the provision to fit an LED across the output, along with various resistor positions to allow trimming of the output voltage

Electrical Description

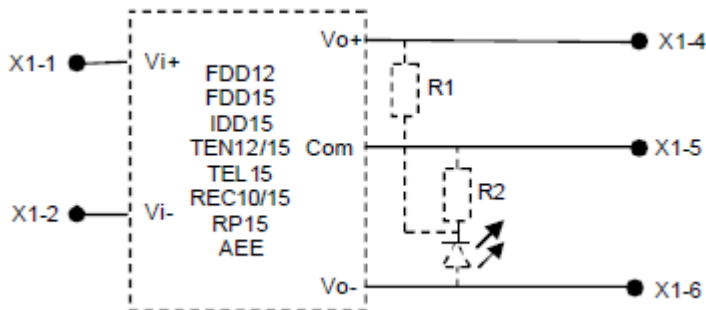


Fig.1-Circuit Diagram for C pin configuration - typically found in 2 inches x 1 inches and 2 inches x 2 inches converters

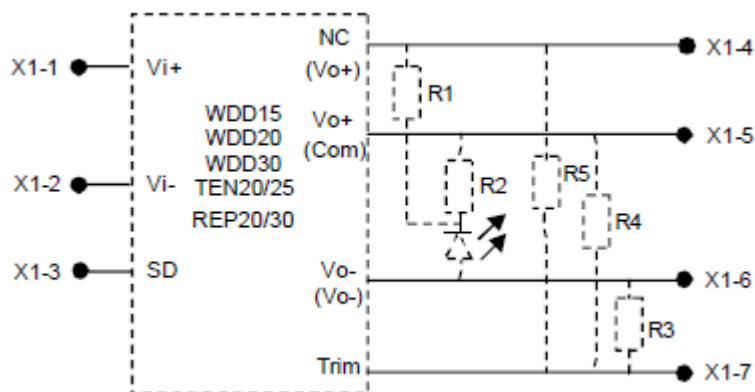
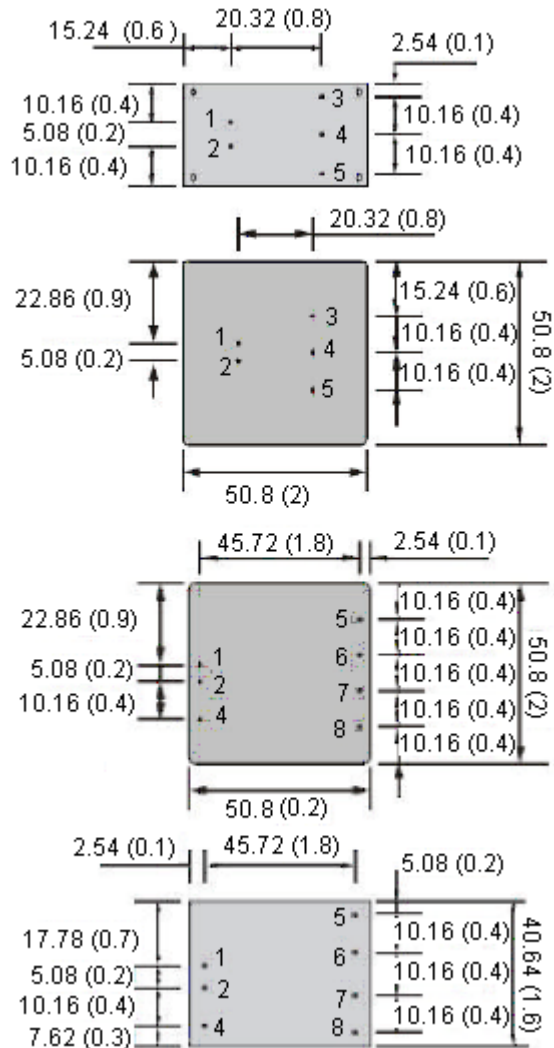


Fig. 2-Circuit diagram for 2 inches x 1.6 inches and 2 inches x 2 inches converters. R3...R5 can be used for trimming of the output voltage

DC DC Converter - Pin Configurations



Dimensions : Millimetres



Din / Chassis Mount Brackets



Mechanical Description

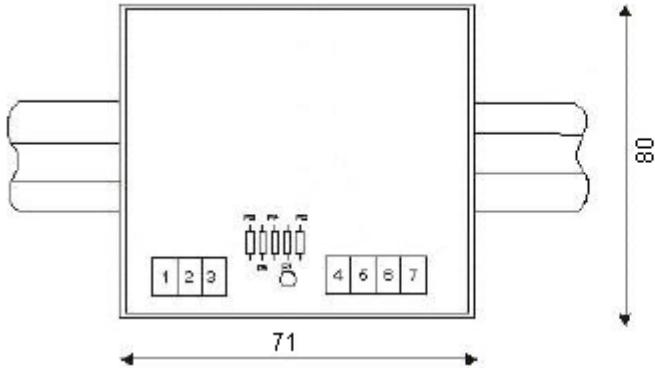


Fig. 3-Din rail mount layout

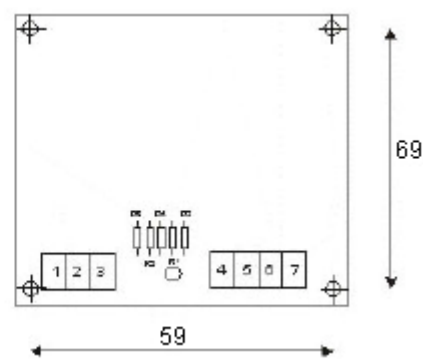


Fig. 4-Chassis mount fixing dimensions

Table 1 - Converter Overview and Pin Assignment

Pin Assignment			Pin Number						
DC DC Family	Case Size	Power (W)	1	2	3	4	5	6	7
Chinfa Products									
FDD - Single Output	2 × 1 Inches	12 / 15	Vi+	Vi-	-	Vo+	-	Vo-	-
FDD - Dual Output		12 / 15					com		
IDD - Single Output		15					-		
IDD - Dual Output		15					com		
WDD - Single Output	2 × 1.6 Inches	15 / 20 / 30			SD		NC	Vo+	Trim
WDD - Dual Output							Vo+	com	
Recom Products									
REC10/15 - Single Output	2 × 1 Inches	10 / 15	Vi+	Vi-	-	Vo+	-	Vo-	-
REC10/15 - Dual Output							com		
RP - Single Output		15					-		
RP - Dual Output		15					com		
REP20/30 - Single Output	2 × 1.6 Inches	20 / 30			SD		NC	Vo+	Trim
REP20/30 - Dual Output							Vo+	com	
Astec Products									
AEE15 - Single Output	2 × 1 Inches	15	Vi+	Vi-	-	Vo+	-	Vo-	-
AEE15 - Dual Output							com		
Traco Products									
TEN10/12 - Single Output	2 × 1 Inches	10 / 12	Vi+	Vi-	-	Vo+	-	Vo-	-

Din / Chassis Mount Brackets



Pin Assignment				Pin Number						
DC DC Family	Case Size	Power (W)	1	2	3	4	5	6	7	
TEN10/12 - Dual Output	2 × 1 Inches	10 / 12	Vi+	Vi-	-	Vo+	com	Vo-	-	
TEL15 - Single Output		15					-			-
TEL15 - Dual Output		com								
TEN20/25 - Single Output	2 × 1.6 Inches	20 / 30			SD	NC	Vo+		Trim	
TEN20/25 - Dual Output						Vo+	com			

Part Number Table

Description	Part Number
Bracket, Din / Chassis Mount For DC / DC	OF117A

Important Notice : This data sheet and its contents (the "Information") belong to the members of the Premier Farnell group of companies (the "Group") or are licensed to it. No licence is granted for the use of it other than for information purposes in connection with the products to which it relates. No licence of any intellectual property rights is granted. The Information is subject to change without notice and replaces all data sheets previously supplied. The Information supplied is believed to be accurate but the Group assumes no responsibility for its accuracy or completeness, any error in or omission from it or for any use made of it. Users of this data sheet should check for themselves the Information and the suitability of the products for their purpose and not make any assumptions based on information included or omitted. Liability for loss or damage resulting from any reliance on the Information or use of it (including liability resulting from negligence or where the Group was aware of the possibility of such loss or damage arising) is excluded. This will not operate to limit or restrict the Group's liability for death or personal injury resulting from its negligence. Multicomp is the registered trademark of the Group. © Premier Farnell plc 2012.