

Approvals

UL recognized 0.2 A to 7 A

Electrical Characteristics

| Rated Current | 1 Inches Minimum | 2 Inches Maximum | 3 Inches Maximum |
|---------------|------------------|------------------|------------------|
| 0.2 A to 7 A | 4 Hours | 5 Seconds | 0.2 Seconds |

Environmental Temperature at 25°C

Interrupting Ratings:

50 A at 32 V ac

50 A at 63 V dc

Environmental Specifications:

Operating Temperature

-55°C to +125°C

Thermal Shock

MIL-STD-202G, method 213, condition 1 (100 G's peak for 6 milliseconds)

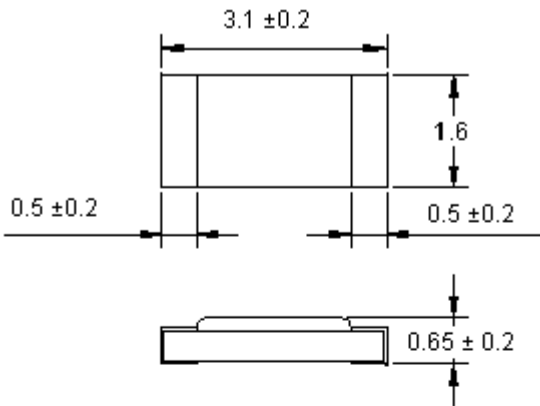
Vibration

MIL-STD-202G, method 204, test condition C

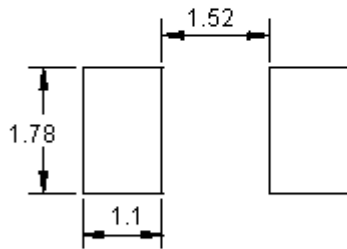
Moisture Resistance

MIL-STD-202G, method 106, 10 day cycle

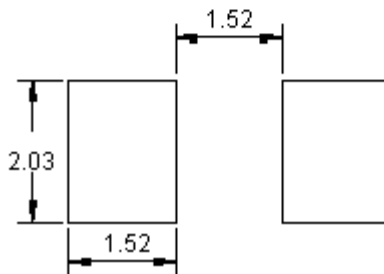
Dimensions



Recommended Land Pattern



Reflow Solder



Waver Solder

Dimensions : Millimetres

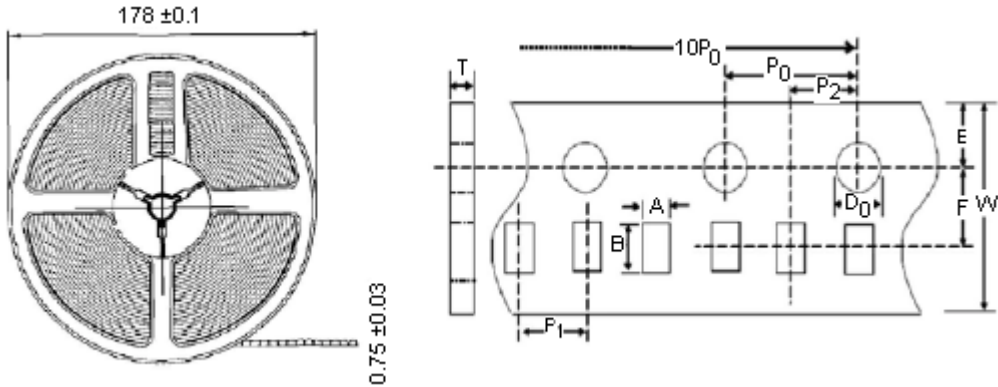
Materials:

| | |
|----------------------------|--------------------------------------|
| Construction Body Material | : Ceramic |
| Termination Material | : Copper (Cu), Nickel (Ni), Tin (Sn) |
| Fuse Element | : Copper (Cu), Tin (Sn) |

Specification Table

| Description | Marking | Amperes Rating (Inches) | Voltage Rating (V) | Nominal Resistance Cold Ω | Nominal Melting I^2t A ² Seconds | Part Number |
|--------------------------|---------|-------------------------|--------------------|----------------------------------|---|-------------|
| Fuse, SMD, 1206, 0.2 A | C | 200 mA | 63 V | 2.3 | 0.001 | MC12CF.200 |
| Fuse, SMD, 1206, 0.25 A | D | 250 mA | | 1.3 | 0.005 | MC12CF.250 |
| Fuse, SMD, 1206, 0.375 A | E | 375 mA | | 0.65 | 0.01 | MC12CF.375 |
| Fuse, SMD, 1206, 0.5 A | F | 500 mA | | 0.44 | 0.022 | MC12CF.500 |
| Fuse, SMD, 1206, 0.75 A | G | 750 mA | | 0.25 | 0.036 | MC12CF 750 |
| Fuse, SMD, 1206, 1 A | H | 1 A | | 0.125 | 0.052 | MC12CF 001 |
| Fuse, SMD, 1206, 1.25 A | J | 1.25 A | | 0.083 | 0.083 | MC12CF 1.25 |
| Fuse, SMD, 1206, 1.5 A | K | 1.5 A | | 0.051 | 0.195 | MC12CF 1.50 |
| Fuse, SMD, 1206, 1.75 A | L | 1.75 A | | 0.043 | 0.263 | MC12CF 1.75 |
| Fuse, SMD, 1206, 2 A | N | 2 A | | 0.036 | 0.488 | MC12CF 002 |
| Fuse, SMD, 1206, 2.5 A | O | 2.5 A | | 0.027 | 0.524 | MC12CF 2.50 |
| Fuse, SMD, 1206, 3 A | P | 3 A | | 0.022 | 0.758 | MC12CF 003 |
| Fuse, SMD, 1206, 4 A | S | 4 A | | 0.015 | 0.933 | MC12CF 004 |
| Fuse, SMD, 1206, 5 A | T | 5 A | | 0.011 | 1.032 | MC12CF 005 |
| Fuse, SMD, 1206, 7 A | U | 7 A | | 0.007 | 2.555 | MC12CF 007 |

Tape and Reel Specifications



Dimensions : Millimetres

| Item | A | B | W | E | F | P ₀ | P ₁ | P ₂ | D ₀ | T | 10P ₀ |
|-----------|-------|-------|------|-------|-------|----------------|----------------|----------------|----------------|-------|------------------|
| Criterion | 2 | 3.5 | 8 | 1.75 | 3.5 | 4 | 4 | 2 | 1.55 | 0.75 | 40 |
| | 0.05 | 0.05 | 0.1 | 0.05 | 0.05 | 0.1 | 0.1 | 0.05 | 0.05 | 0.03 | 0.1 |
| | -0.05 | -0.05 | -0.1 | -0.05 | -0.05 | -0.1 | -0.1 | -0.05 | -0.05 | -0.03 | -0.1 |
| Maximum | 2.05 | 3.55 | 8.1 | 1.8 | 3.55 | 4.1 | 4.1 | 2.05 | 1.6 | 0.78 | 40.1 |
| Minimum | 1.95 | 3.45 | 7.9 | 1.7 | 3.45 | 3.9 | 3.9 | 1.95 | 1.5 | 0.72 | 39.9 |

Tape and Reel Quantity : 5,000 pcs / reel

Important Notice : This data sheet and its contents (the "Information") belong to the members of the Premier Farnell group of companies (the "Group") or are licensed to it. No licence is granted for the use of it other than for information purposes in connection with the products to which it relates. No licence of any intellectual property rights is granted. The Information is subject to change without notice and replaces all data sheets previously supplied. The Information supplied is believed to be accurate but the Group assumes no responsibility for its accuracy or completeness, any error in or omission from it or for any use made of it. Users of this data sheet should check for themselves the Information and the suitability of the products for their purpose and not make any assumptions based on information included or omitted. Liability for loss or damage resulting from any reliance on the Information or use of it (including liability resulting from negligence or where the Group was aware of the possibility of such loss or damage arising) is excluded. This will not operate to limit or restrict the Group's liability for death or personal injury resulting from its negligence. Multicomp is the registered trademark of the Group. © Premier Farnell plc 2012.